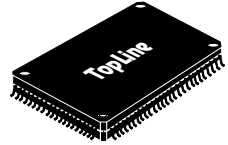
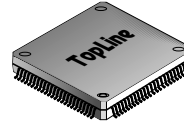


QFP QUAD FLAT PACK



RECTANGULAR BODY

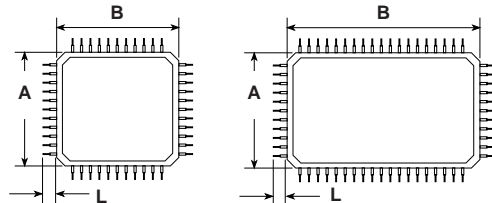


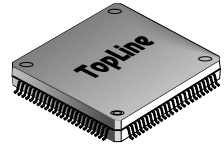
SQUARE BODY

DUMMY COMPONENT ORDERING INFORMATION

NBR LEADS	2xL FOOTPRINT		LEAD PITCH		Tray Part Number XQ1	Tape & Reel Part Number XM1	Tape & Reel Part Number XQ1	QTY	QTY	QTY
	ADDER MM	MILS	MM	MM						
10MM SQUARE BODY										
44	3.2mm	31.5	0.8	QFP44T30-3.2	96	QFP44E7A30-3.2	50	QFP44E13A30-3.2	500	
44	3.9mm	31.5	0.8	QFP44T30-3.9	96	QFP44E7A30-3.9	50	QFP44E13A30-3.9	500	
52	3.2mm	25.6	0.65	QFP52T25-3.2	96	-	-	QFP52E13A25-3.2	500	
52	3.9mm	25.6	0.65	QFP52T25-3.9	96	-	-	QFP52E13A25-3.9	500	
64	3.2mm	19.7	0.5	QFP64T19.7-3.2	96	-	-	-	-	
14MM SQUARE BODY										
44	3.2mm	40	1.0	QFP44T40-3.2	84	-	-	QFP44E13A40-3.2	350	
52	3.2mm	40	1.0	QFP52T40-3.2	84	-	-	QFP52E13A40-3.2	350	
64	3.2mm	31.5	0.8	QFP64T30-3.2-2.0H	84	-	-	QFP64E13A30-3.2-2.0H	350	
64	3.2mm	31.5	0.8	QFP64T30-3.2-2.7H	84	-	-	QFP64E13A30-3.2-2.7H	350	
80	3.2mm	25.6	0.65	QFP80T25-3.2-2.0H	84	-	-	QFP80E13A25-3.2-2.0H	350	
80	3.2mm	25.6	0.65	QFP80T25-3.2-2.7H	84	-	-	QFP80E13A25-3.2-2.7H	350	
14MM x 20MM RECTANGULAR BODY										
64	3.2mm	40	1.0	QFP64T40-3.2	60	-	-	QFP64E13A40-3.2	200	
64	3.9mm	40	1.0	QFP64T40-3.9	66	QFP64E7A40-3.9	50	QFP64E13A40-3.9	200	
80	3.9mm	31.5	0.8	QFP80T30-3.9	66	QFP80E7A30-3.9	50	QFP80E13A30-3.9	200	
100	3.2mm	25.6	0.65	QFP100T25-3.2	66	-	-	QFP100E13A25-3.2	200	
100	3.9mm	25.6	0.65	QFP100T25-3.9	66	QFP100E7A25-3.9	50	QFP100E13A25-3.9	200	
100	5.6mm	25.6	0.65	QFP100T25-5.6	60	-	-	-	-	
128	3.2mm	19.7	0.5	QFP128T19.7-3.2	66	-	-	-	-	

BODY SIZE	TYPICAL THICKNESS	TAPE INFO	
		WIDTH	PITCH
10mm Sq.	2.0mm	24mm	16/24mm
14mm Sq.	2.0mm	32mm	24mm
14mm Sq.	2.7mm	32mm	24mm
14 x 20mm	2.7mm	44mm	32mm
28mm Sq.	3.6mm	44mm	40mm
32mm Sq.	3.8mm	-	-
40mm Sq.	3.8mm	-	-

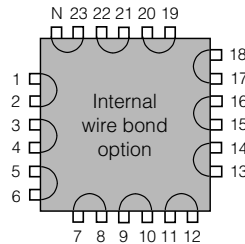




DUMMY COMPONENT ORDERING INFORMATION

NBR LEADS	2xL FOOTPRINT ADDER		LEAD PITCH		Tray Part Number XQ1	QTY	7" (180mm) Tape & Reel Part Number		13" (330mm) Tape & Reel Part Number	
	MM	MILS	MM				XM1	QTY	XQ1	QTY
28MM SQUARE BODY										
120	3.2mm	31.5	0.8	QFP120T30-3.2	24	-	-	QFP120E13A30-3.2	200	
120	3.9mm	31.5	0.8	QFP120T30-3.9	24	QFP120E7A30-3.9	50	QFP120E13A30-3.9	200	
128	3.2mm	31.5	0.8	QFP128T30-3.2	24	-	-	QFP128E13A30-3.2	200	
128	3.9mm	31.5	0.8	QFP128T30-3.9	24	-	-	QFP128E13A30-3.9	200	
136	3.2mm	25.6	0.65	QFP136T25-3.2	24	-	-	QFP136E13A30-3.2	200	
144	2.6mm	25.6	0.65	QFP144T25-2.6	24	-	-	QFP144E13A25-2.6	200	
144	3.2mm	25.6	0.65	QFP144T25-3.2	24	QFP144E7A25-3.2	50	QFP144E13A25-3.2	200	
144	3.9mm	25.6	0.65	QFP144T25-3.9	24	-	-	QFP144E13A25-3.9	200	
160	2.6mm	25.6	0.65	QFP160T25-2.6	24	-	-	QFP160E13A25-2.6	200	
160	3.2mm	25.6	0.65	QFP160T25-3.2	24	QFP160E7A25-3.2	50	QFP160E13A25-3.2	200	
160	3.9mm	25.6	0.65	QFP160T25-3.9	24	QFP160E7A25-3.9	50	QFP160E13A25-3.9	200	
184	2.6mm	19.7	0.5	QFP184T19.7-2.6	24	-	-	QFP184E13A19.7-2.6	200	
208	2.6mm	19.7	0.5	QFP208T19.7-2.6	24	QFP208E7A19.7-2.6	50	QFP208E13A19.7-2.6	200	
256	2.6mm	15.7	0.4	QFP256T15.7-2.6	24	QFP256E7A15.7-2.6	50	QFP256E13A15.7-2.6	200	
32MM SQUARE BODY										
184	4.5mm	25.6	0.65	QFP184T25-4.5	14	-	-	-	-	
240	2.6mm	19.7	0.5	QFP240T19.7-2.6	14/24	-	-	-	-	
40MM SQUARE BODY										
304	2.6mm	19.7	0.5	QFP304T19.7-2.6	12	-	-	-	-	

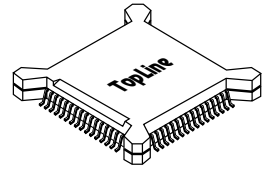
Daisy Chain
available on special order
Add -DE to end of part number
See page 35






**I
N
F
O** TopLine supplies a wide assortment of Quad Flat Packs in metric packages. Add 2 x L foot print to the body size for total tip-to-tip dimension. Coplanarity guaranteed to 4 mils (0.1mm). Tray quantities may vary. Some QFP contain internal die. For completely isolated (no internal connections) add -ISO to end of part number. Plating Sn85/Pb15

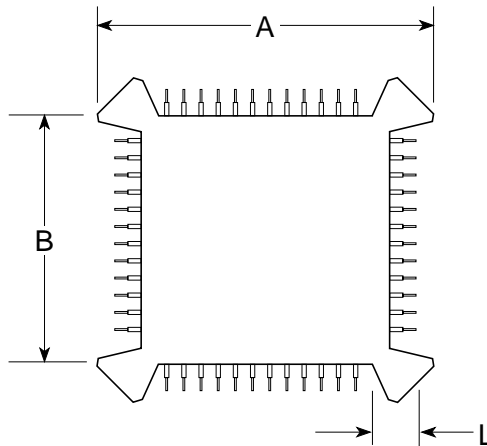


BQFP BUMPER QUAD FLAT PACK TRUE 25 MIL PITCH



DUMMY COMPONENT ORDERING INFORMATION

NBR LEADS	2xL FOOTPRINT ADDER	LEAD PITCH	B BODY SIZE	 Tray Part Number		 7" (180mm) Tape & Reel Part Number		 13" (330mm) Tape & Reel Part Number	
	MM	MM	MM Sq.	XQ1	QTY	XM1	QTY	XQ1	QTY
100	3.3	0.636	19	BQFP100T25	55	BQFP100E7A25	50	BQFP100E13A25	300
132	3.3	0.636	24.1	BQFP132T25	36	BQFP132E7A25	50	BQFP132E13A25	300

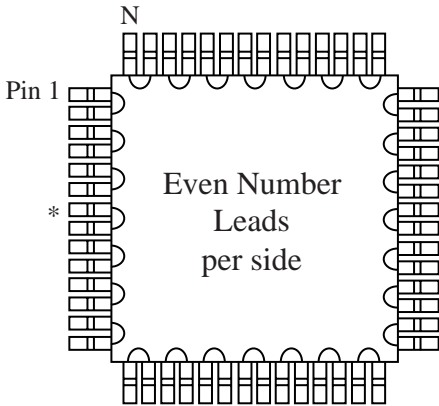


**I
N
F
O**

BQFP Bumper Quad Flat Packs are built to JEDEC (non-metric) standards with true 25mil (0.636mm) lead pitch. The bumpers protect leads from damage during transport in the carrier. Plating Sn85/Pb15.

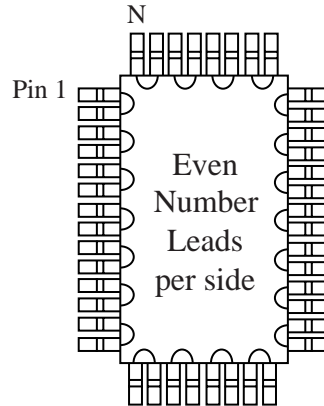
QFP DAISY CHAIN

SQUARE BODY



TOTAL NUMBER LEADS
24, 32, 48, 64, 80, 120, 128, 144
160, 168, 176, 184, 208, 216, 240, 256, 304
* Location of Pin 1 for CERQUAD

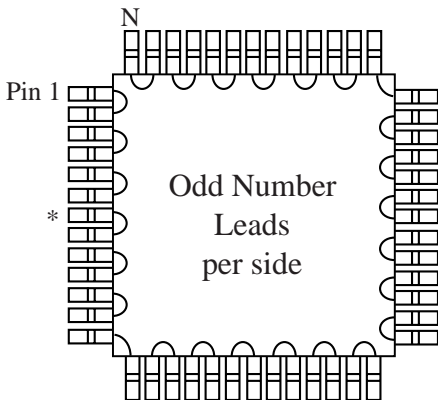
RECTANGLE BODY



TOTAL NUMBER LEADS
80, 100, 128

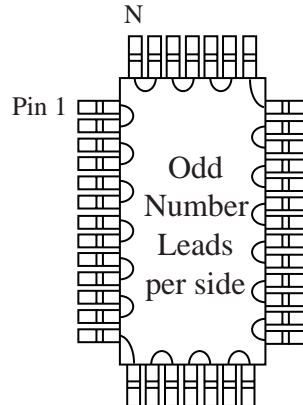
Not to Scale

SQUARE BODY



TOTAL NUMBER LEADS
28, 44, 52, 68, 84, 100, 132, 164, 172, 196, 244
* Location of Pin 1 for CERQUAD

RECTANGLE BODY

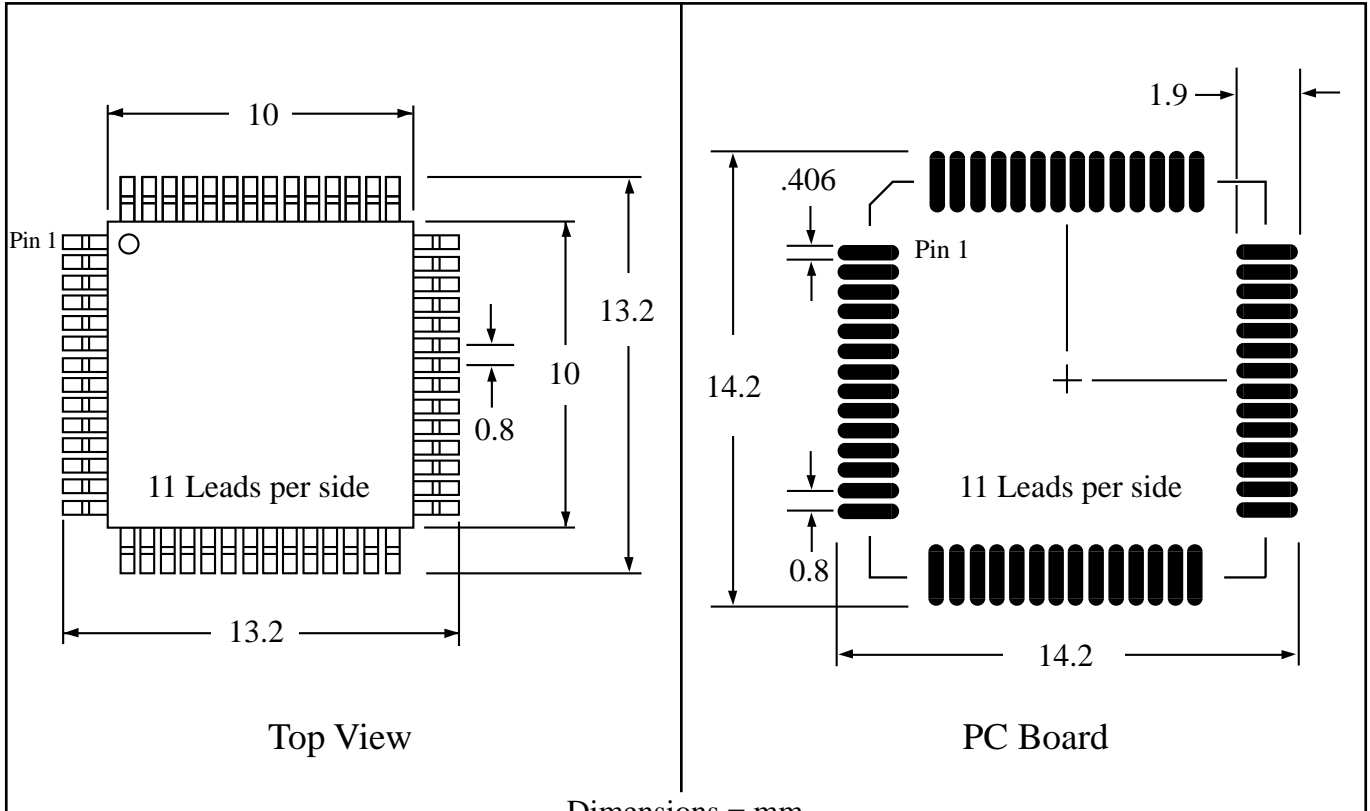


TOTAL NUMBER LEADS
64

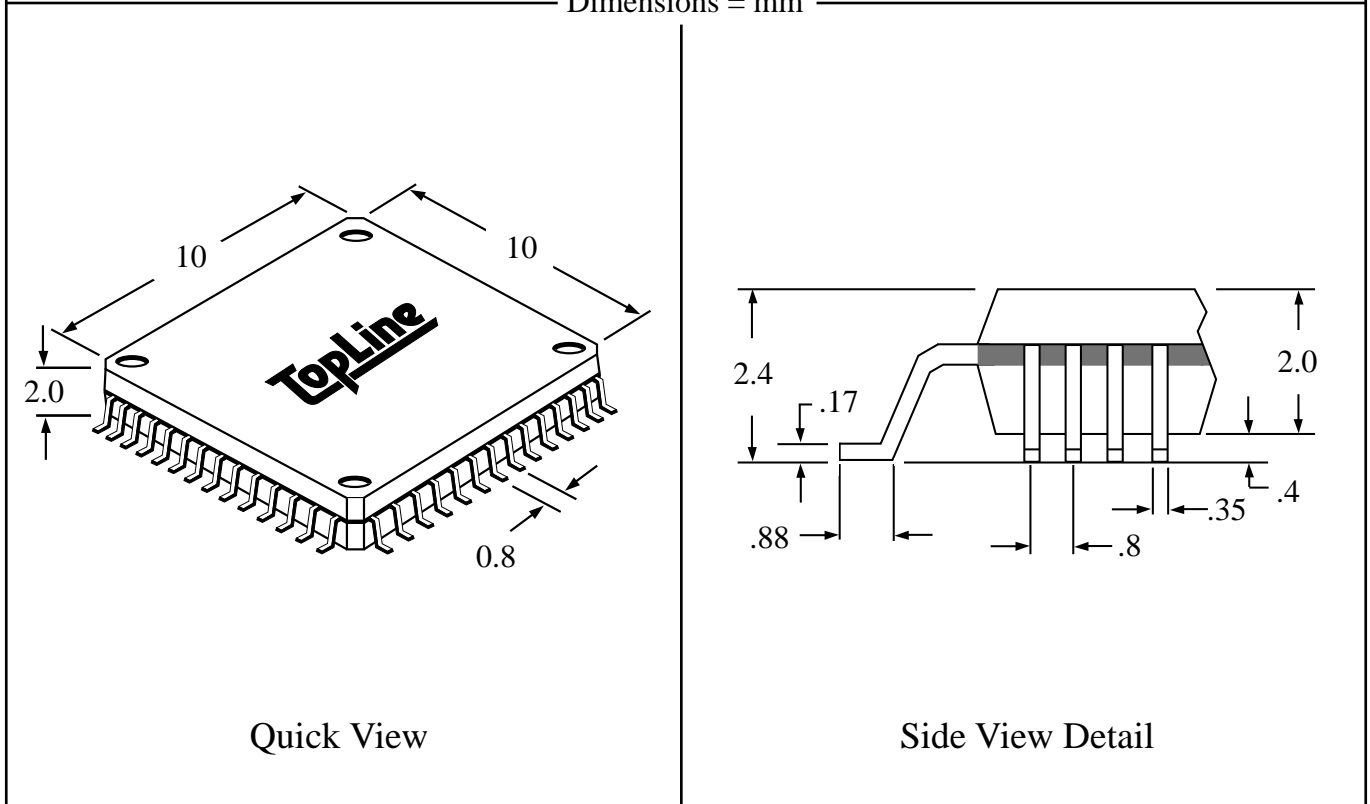
Part # **QFP44T30-3.2**
 Leads **44** Pitch **0.8mm**
 Body Size **10mmSQ**

TopLineTM
 Tel 1-714-898-3830
 info@toplinedummy.com

Dwg Q44P832.pdf



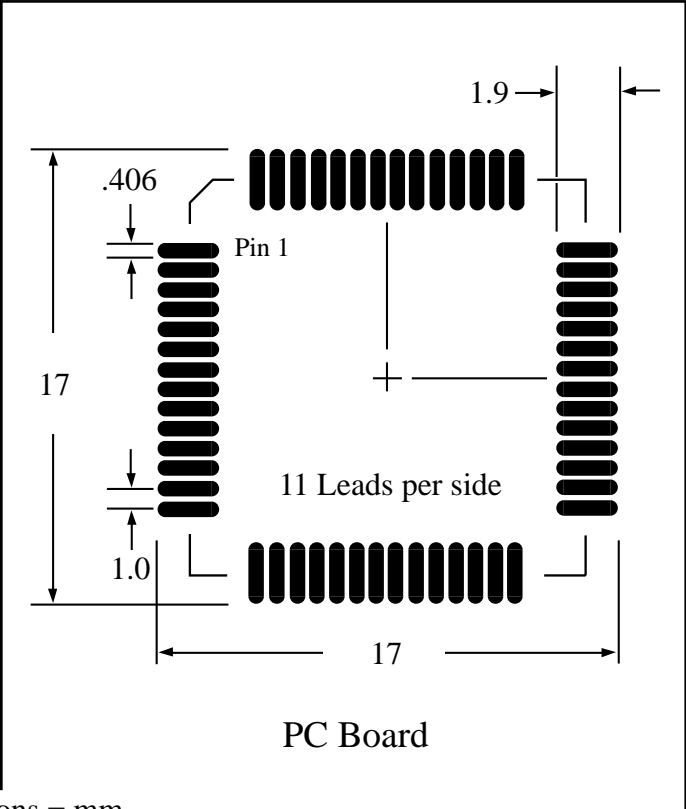
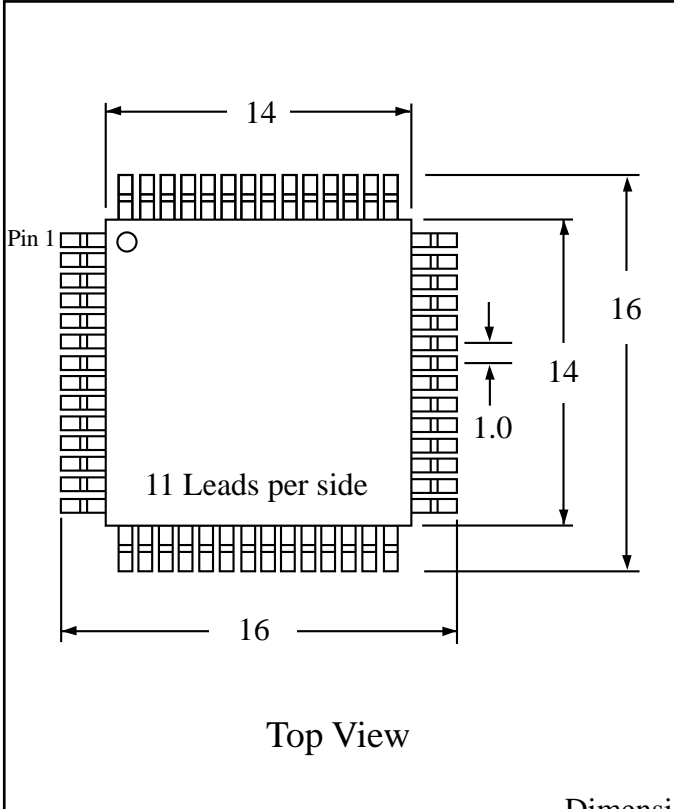
Dimensions = mm



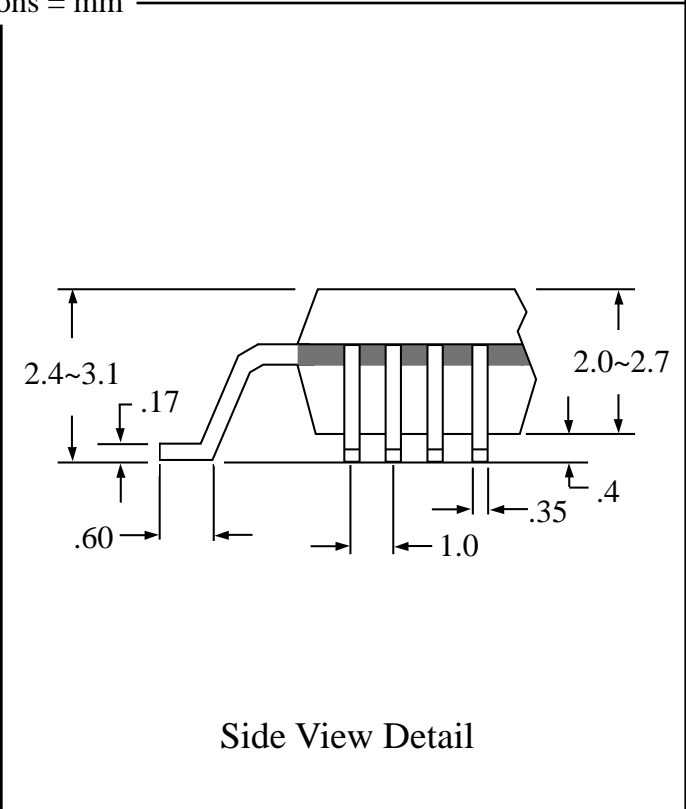
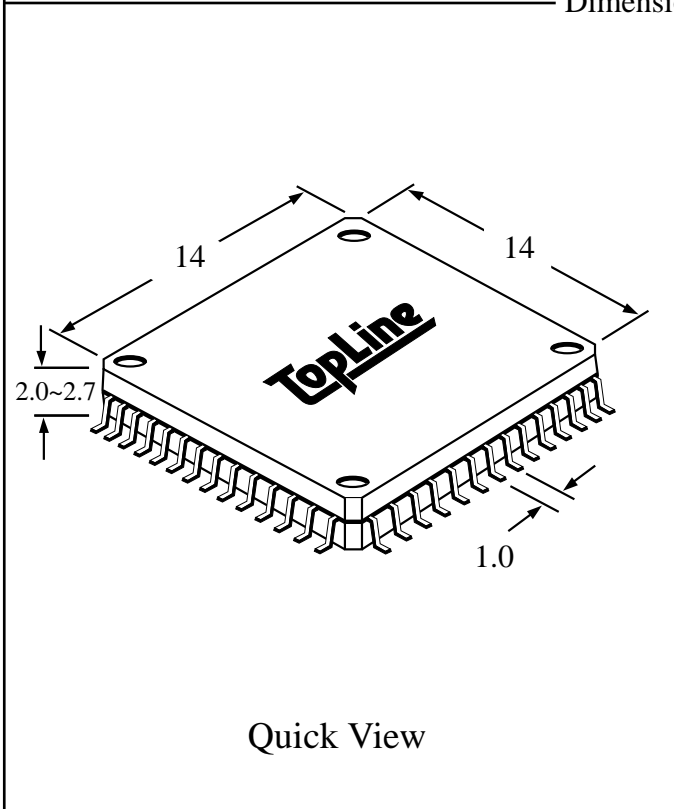
Part # **QFP44T40-2.0**
 Leads **44** Pitch **1.0mm**
 Body Size **14mmSQ**

TopLine™
 Tel 1-714-898-3830
 info@toplinedummy.com

Dwg Q44P120X.pdf



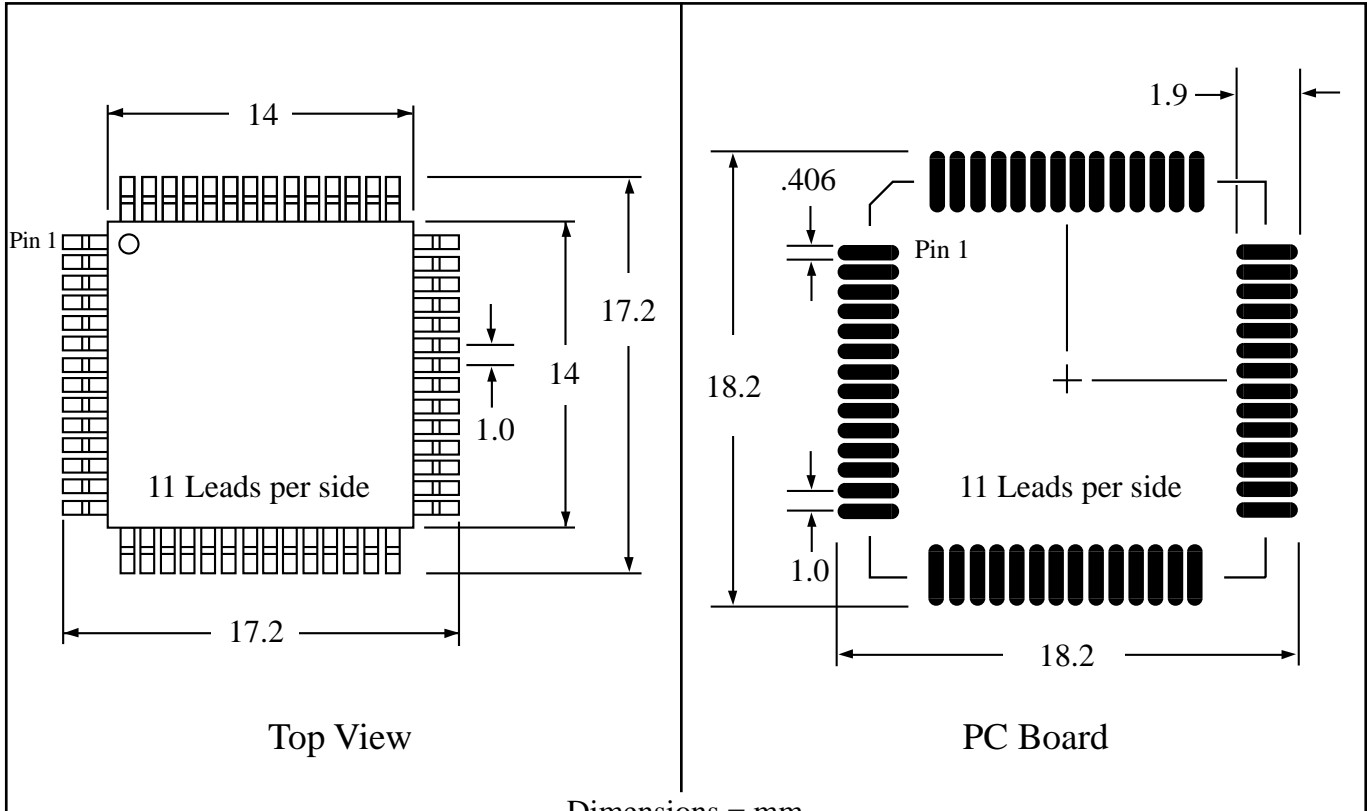
Dimensions = mm



Part # **QFP44T40-3.2**
 Leads **44** Pitch **1.0mm**
 Body Size **14mmSQ**

TopLine™
 Tel 1-714-898-3830
 info@toplinedummy.com

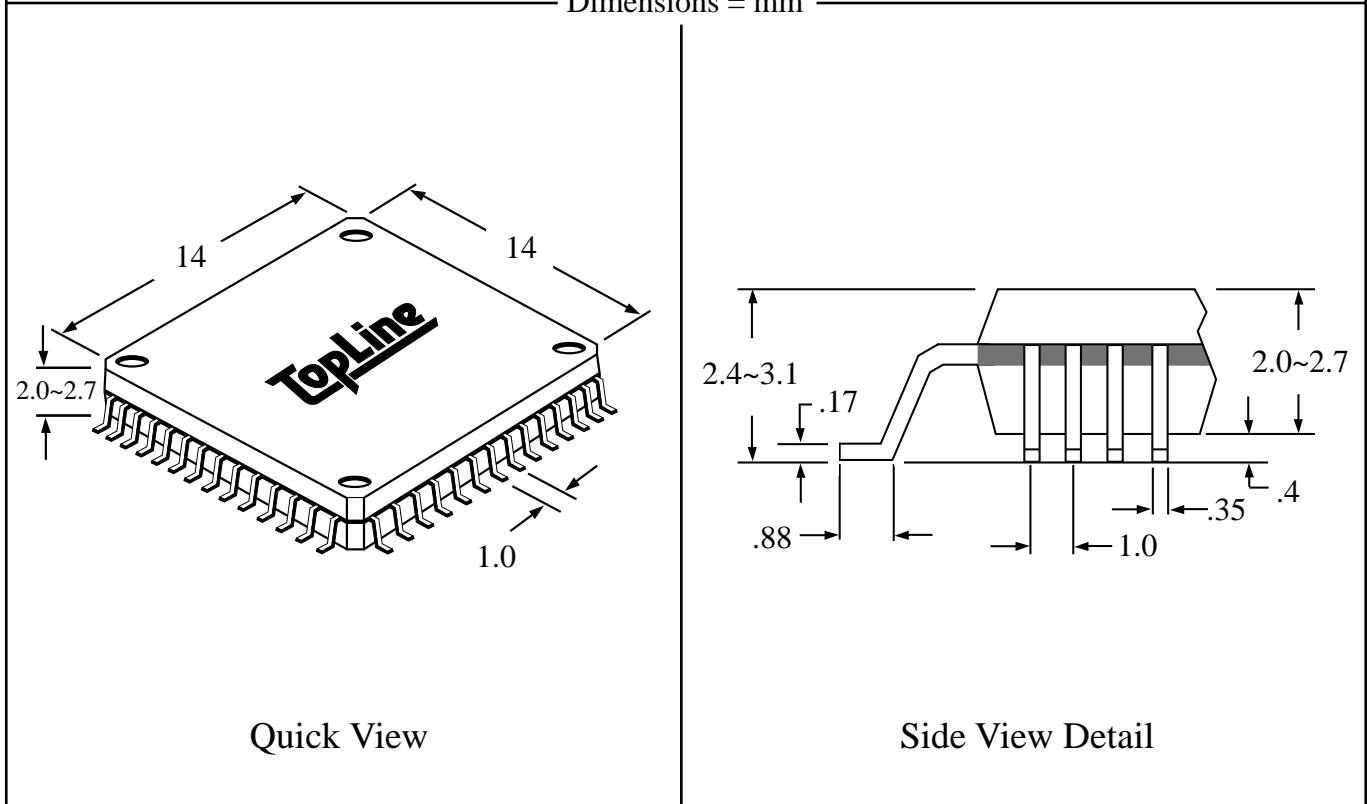
Dwg Q44P132X.pdf



Top View

PC Board

Dimensions = mm



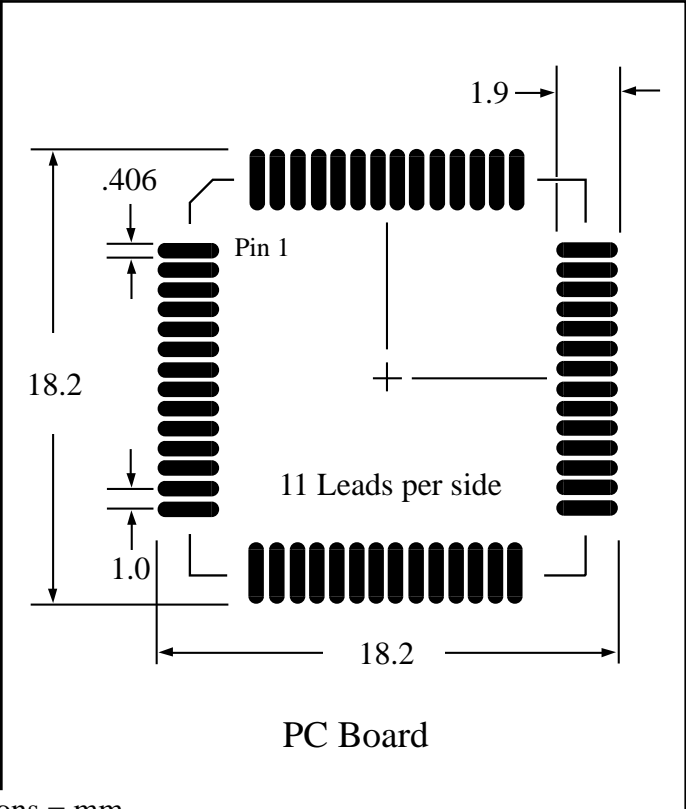
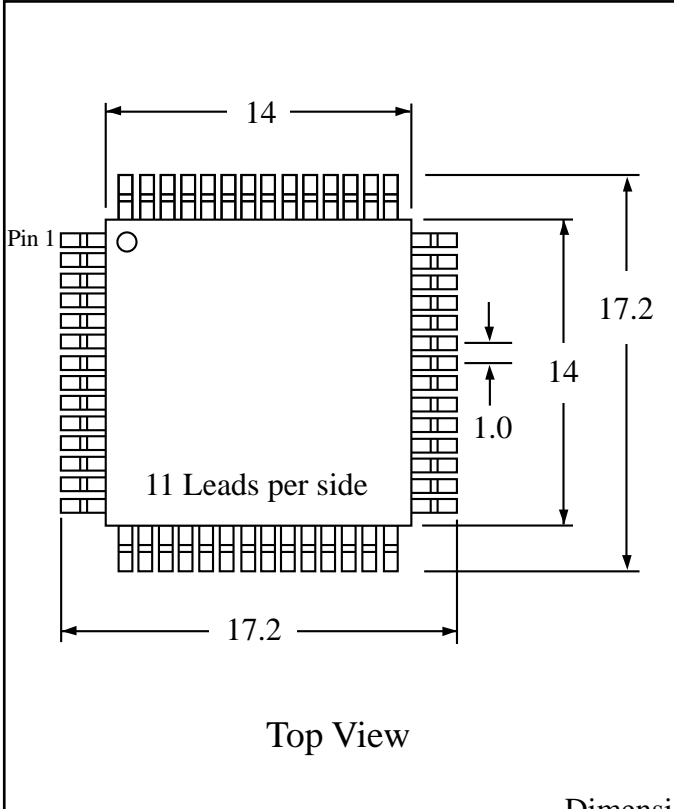
Quick View

Side View Detail

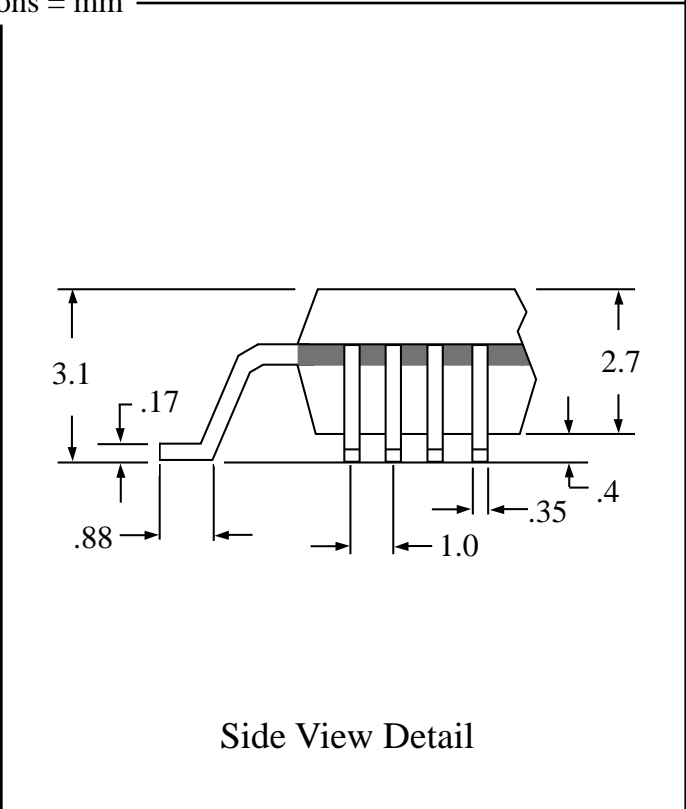
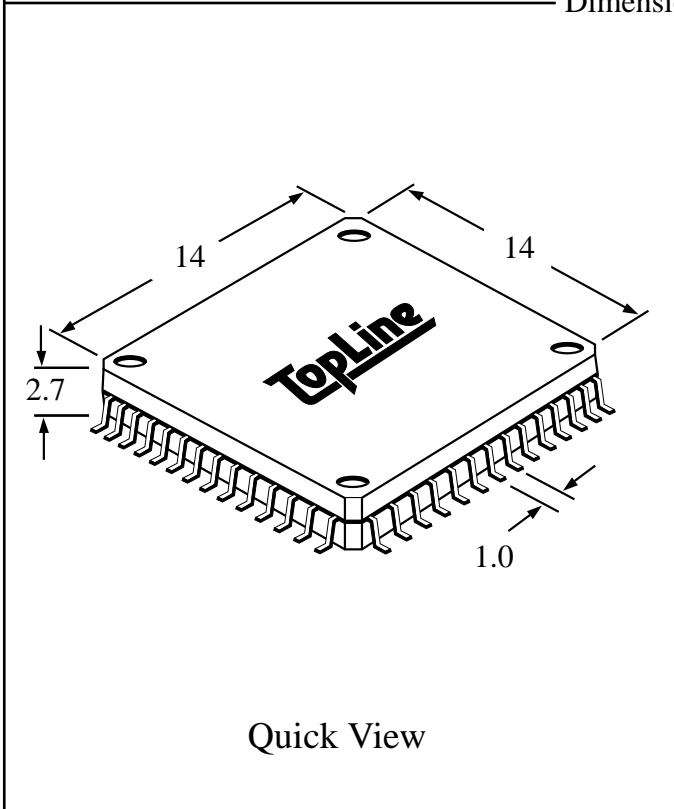
Part # **QFP44T40-3.2-2.7H**
 Leads **44** Pitch **1.0mm**
 Body Size **14mmSQ**

TopLine™
 Tel 1-714-898-3830
 info@toplinedummy.com

Dwg Q44P132H.pdf

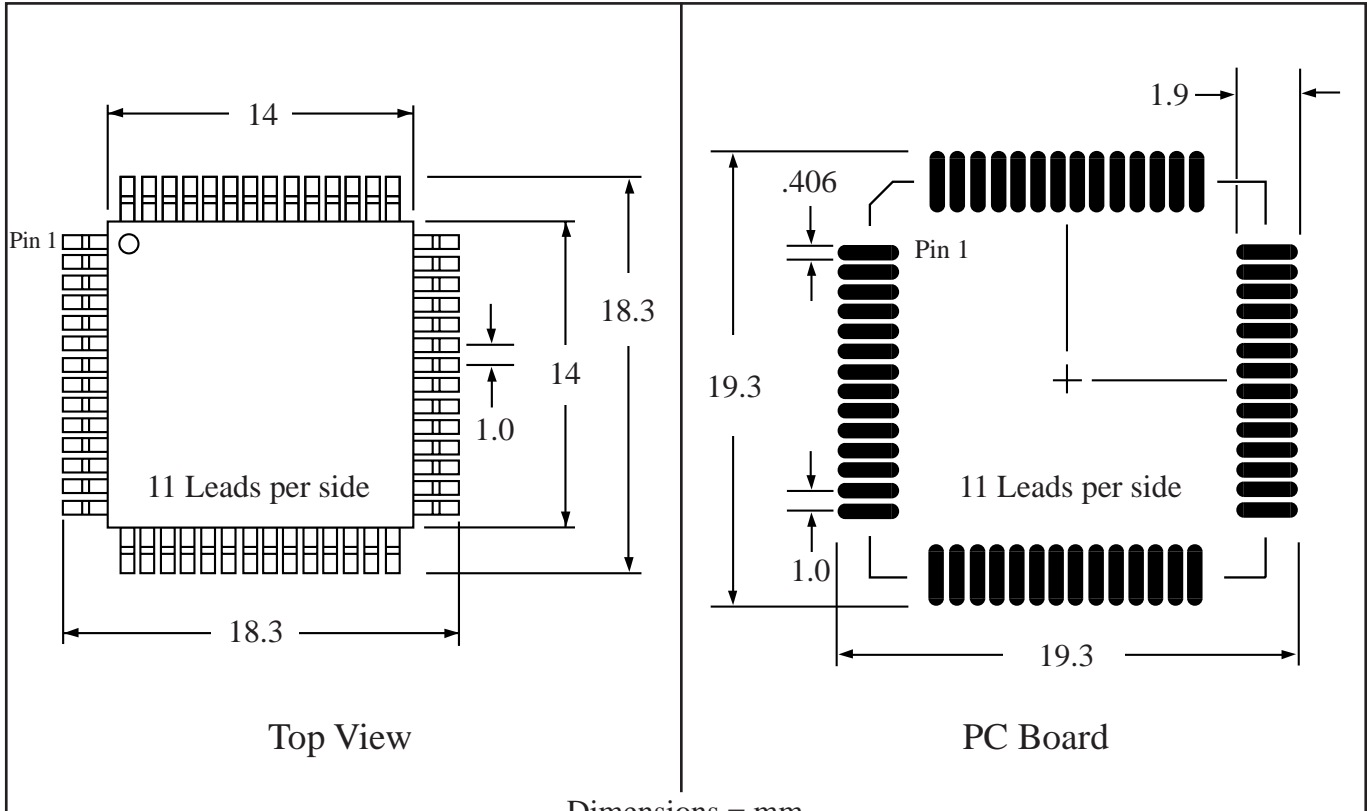


Dimensions = mm



Part # **QFP44T40-4.3**
 Leads **44** Pitch **1.0mm**
 Body Size **14mmSQ**

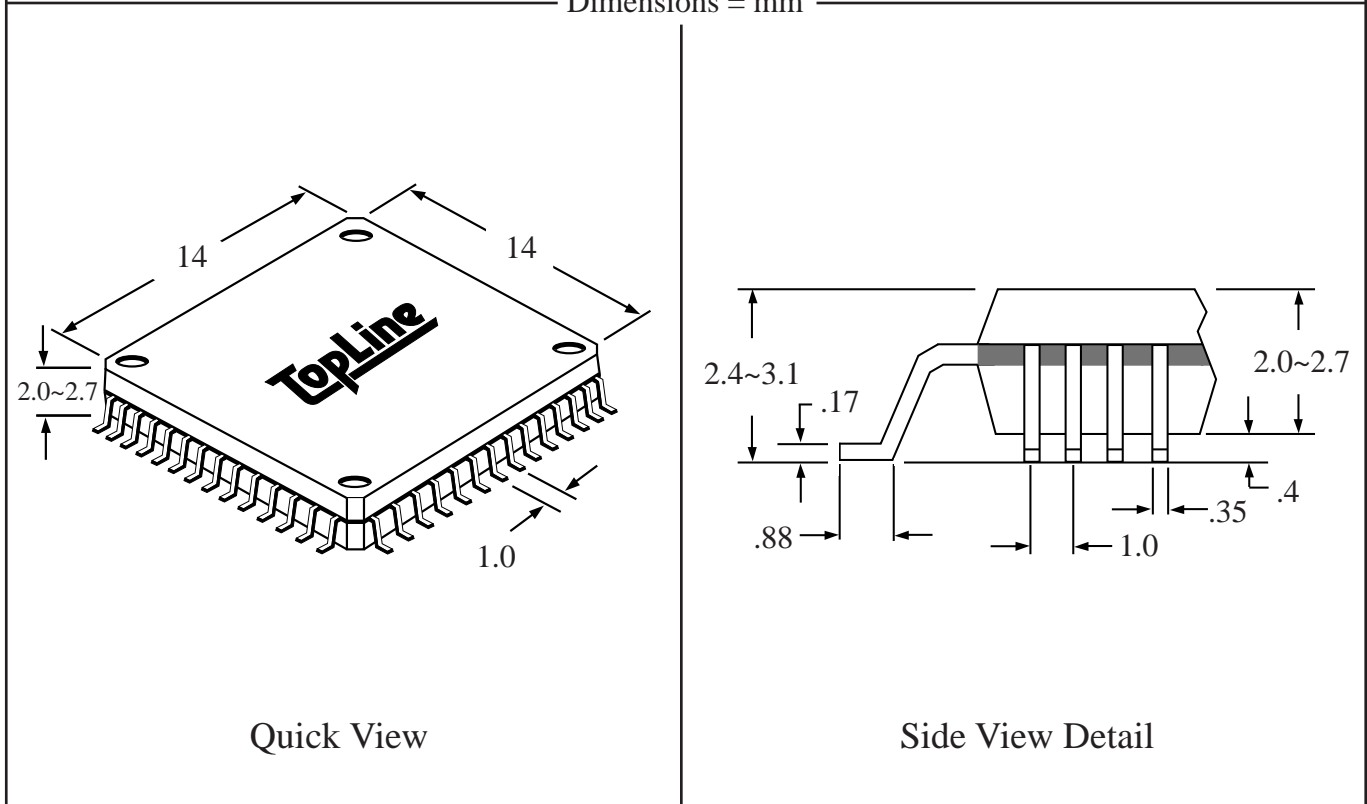
TopLine™
 Tel 1-714-898-3830
 info@topline.tv



Top View

PC Board

Dimensions = mm



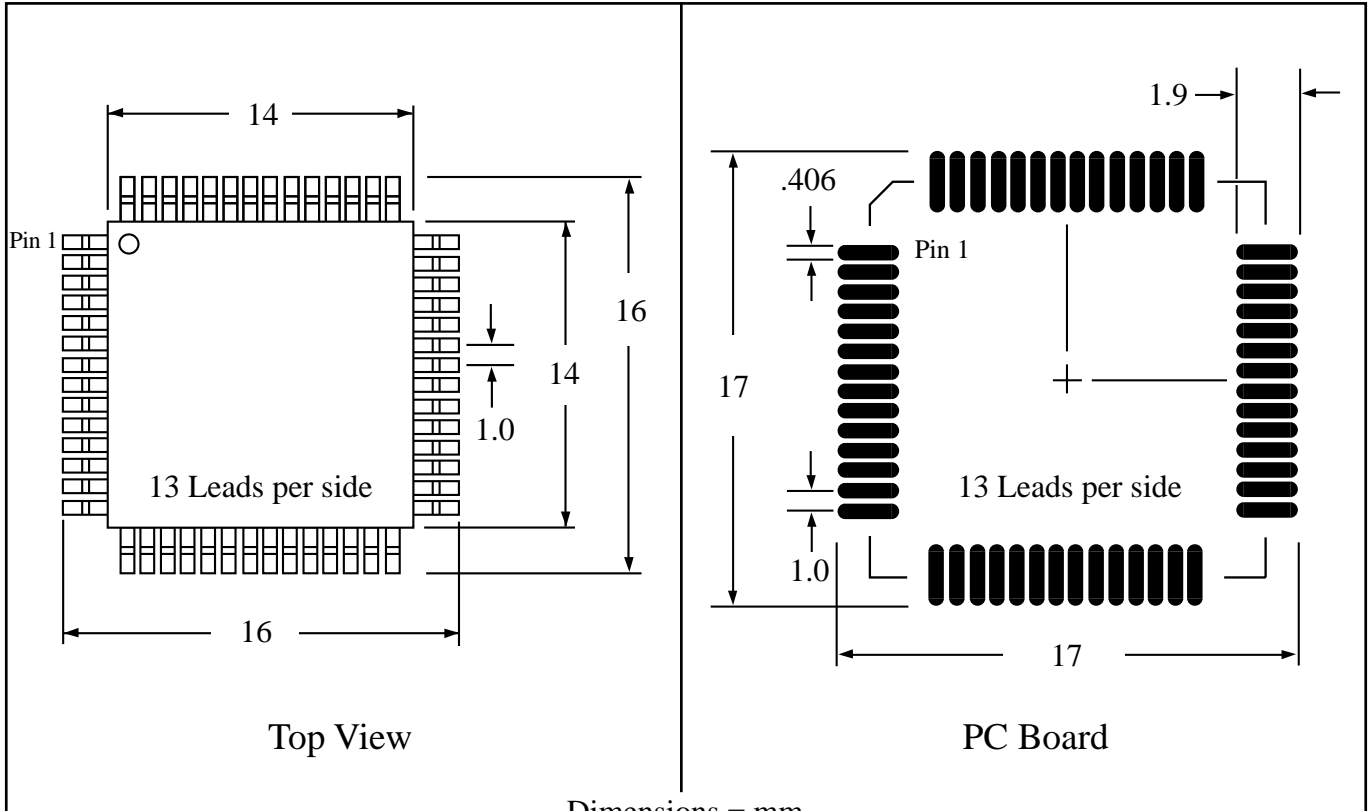
Quick View

Side View Detail

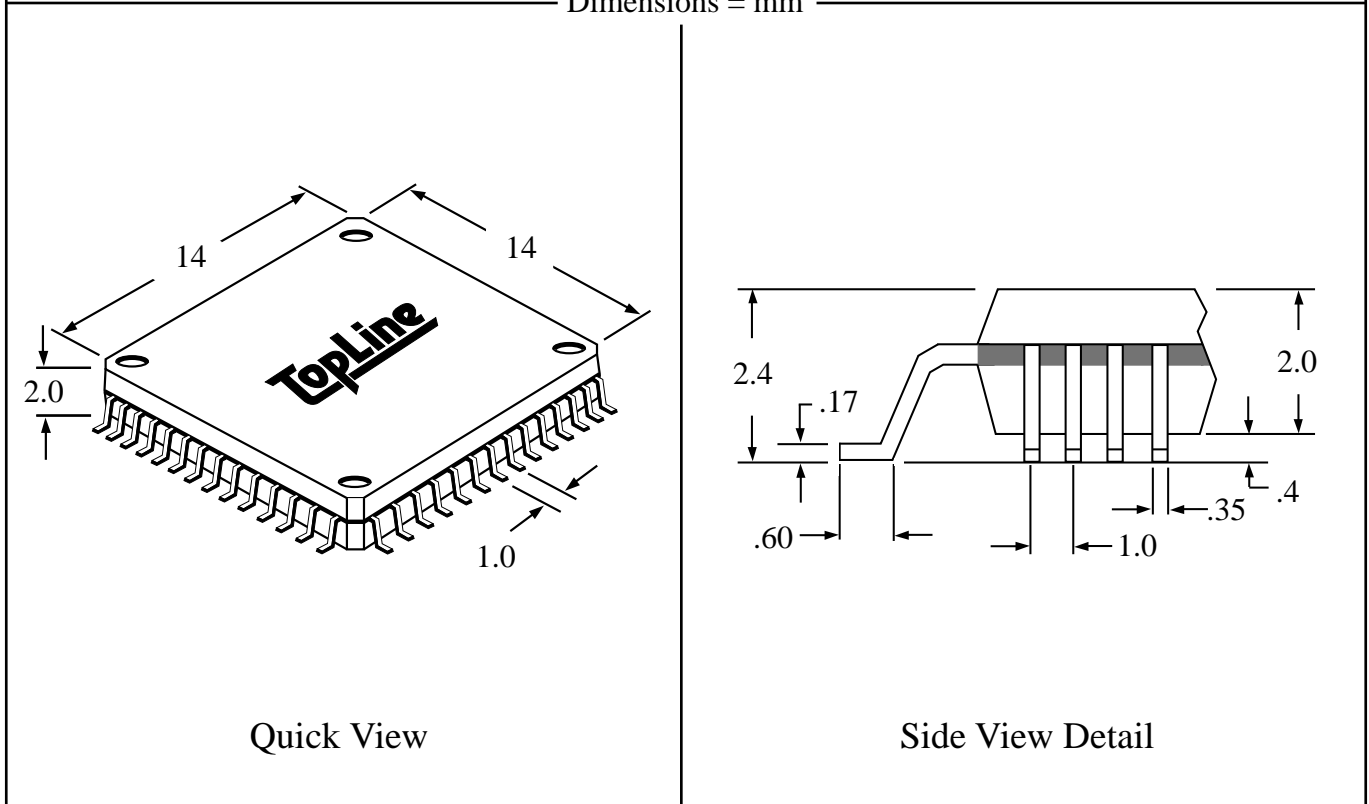
Part # **QFP52T40-2.0**
 Leads **52** Pitch **1.0mm**
 Body Size **14mmSQ**

TopLine™
 Tel 1-714-898-3830
 info@toplinedummy.com

Dwg Q52P120.pdf



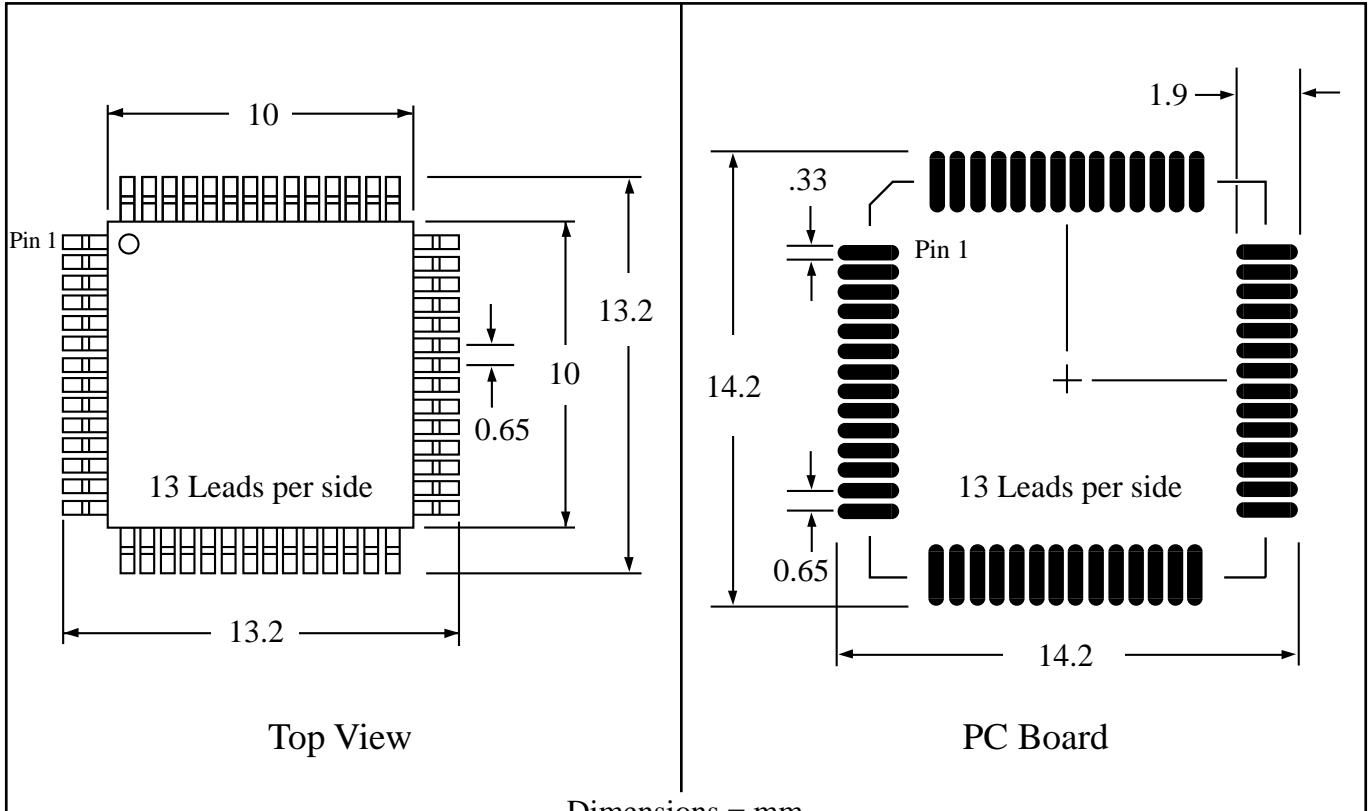
Dimensions = mm



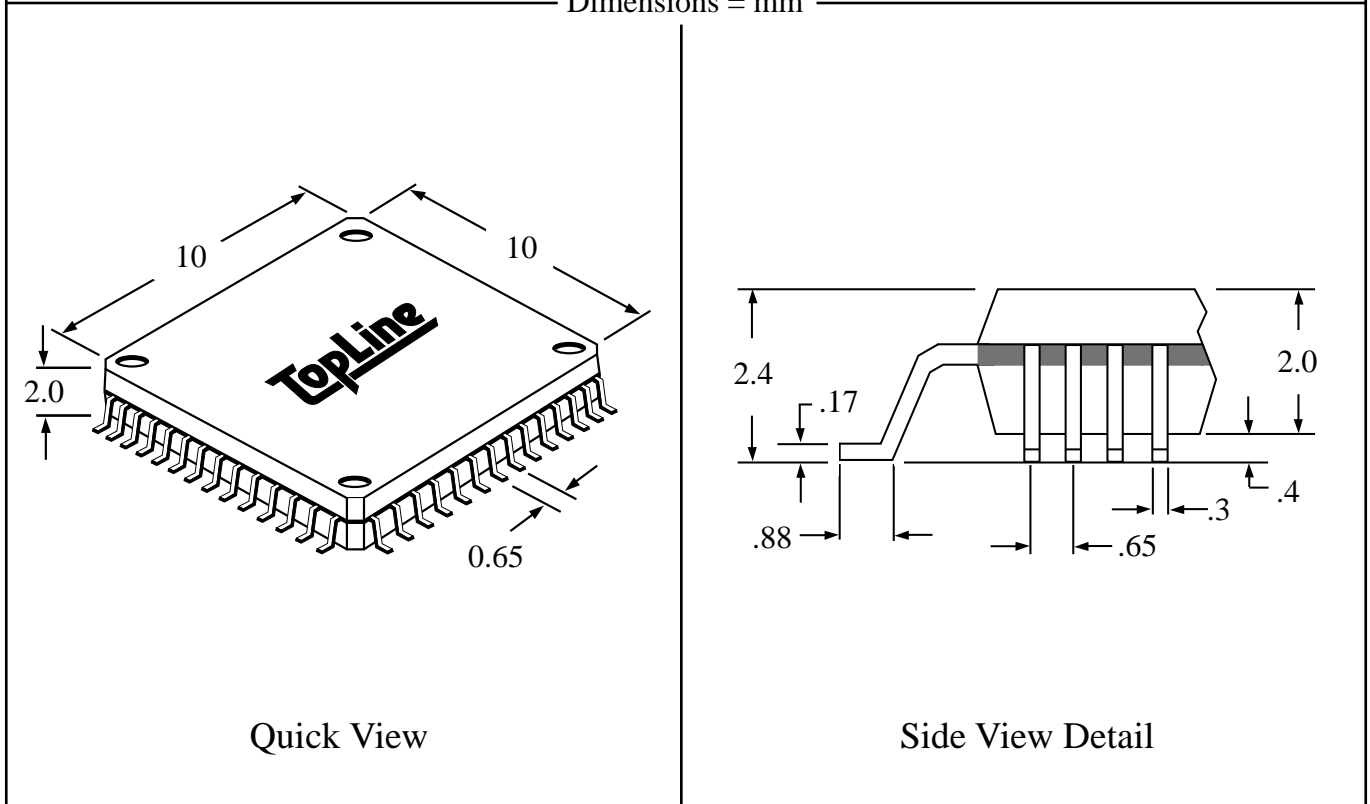
Part # **QFP52T25-3.2**
 Leads **52** Pitch **0.65mm**
 Body Size **10mmSQ**

TopLineTM
 Tel 1-714-898-3830
 info@toplinedummy.com

Dwg Q52P632.pdf



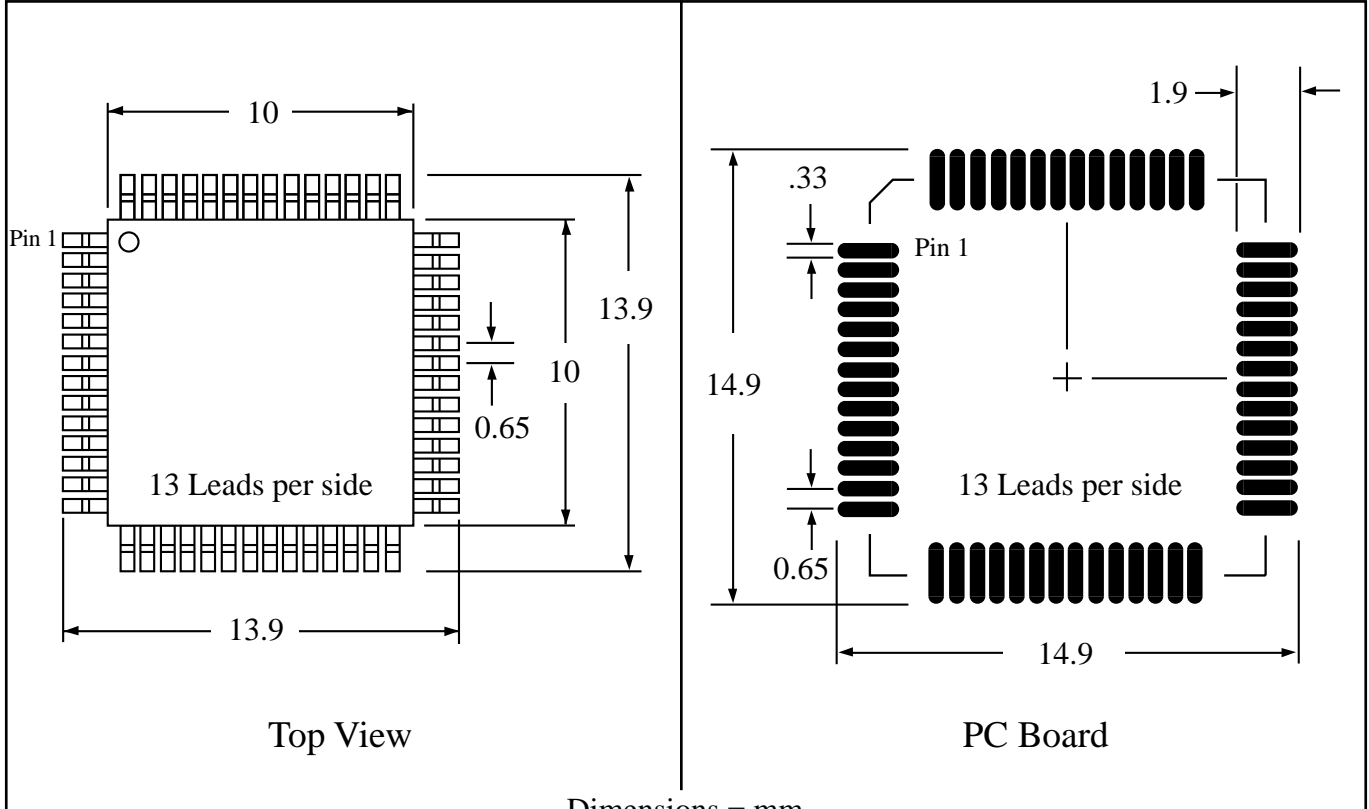
Dimensions = mm



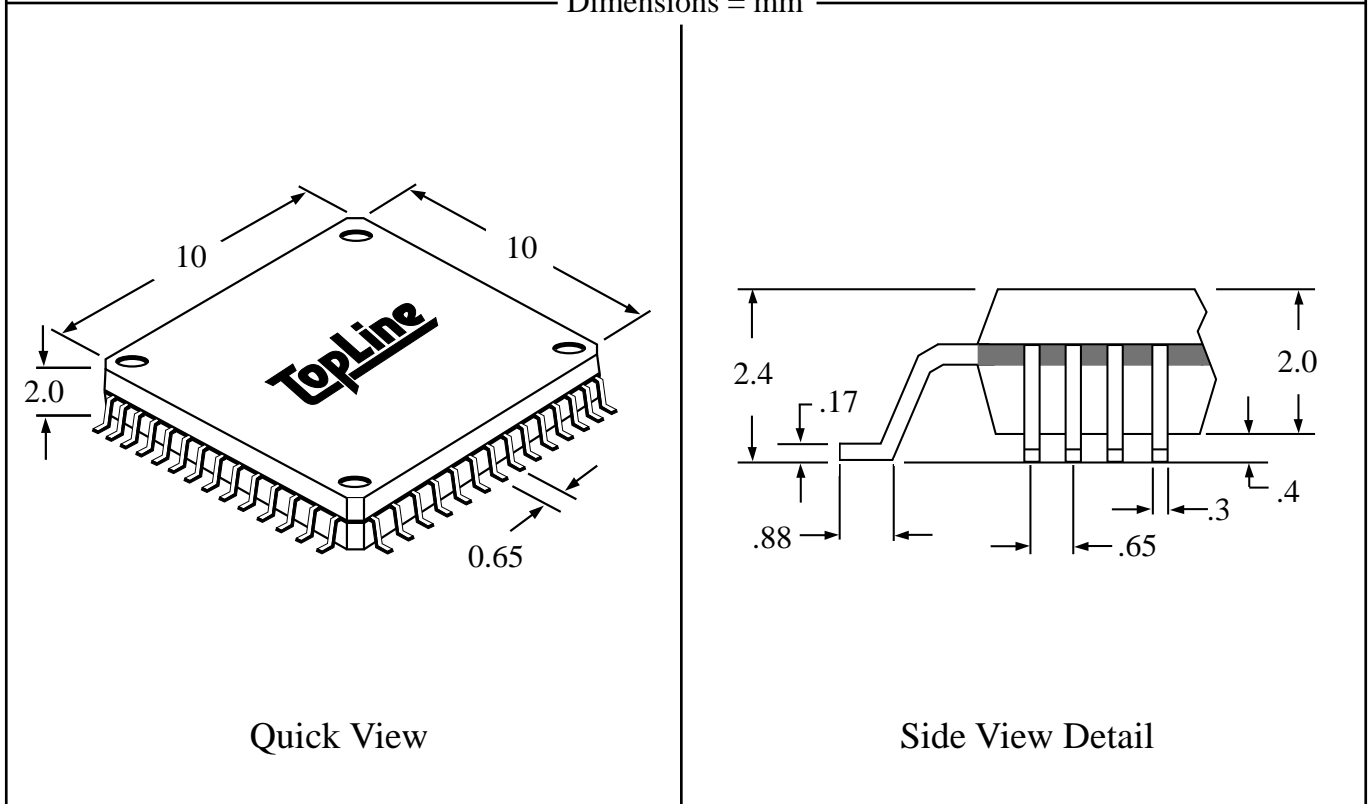
Part # **QFP52T25-3.9**
 Leads **52** Pitch **0.65mm**
 Body Size **10mmSQ**

TopLine™
 Tel 1-714-898-3830
 info@toplinedummy.com

Dwg Q52P6329.pdf



Dimensions = mm



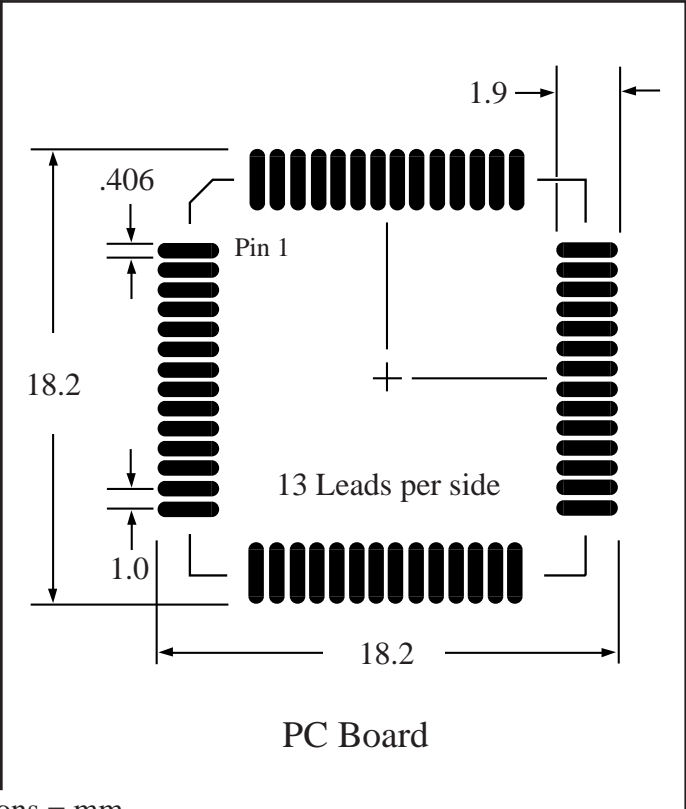
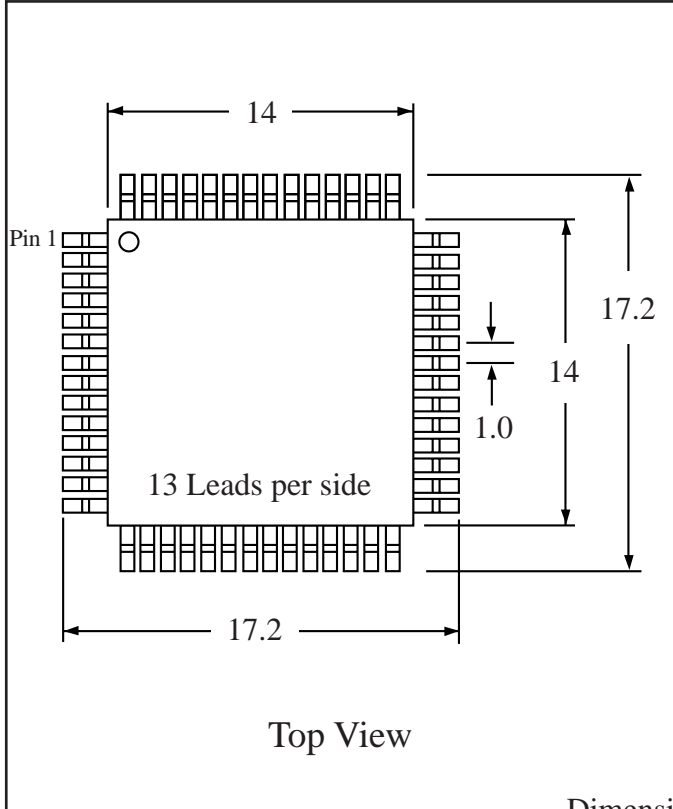
Part # **QFP52T40-3.2-2.0H**
 Leads **52** Pitch **1.0mm**
 Body Size **14mmSQ**

Dwg Q52P132.pdf

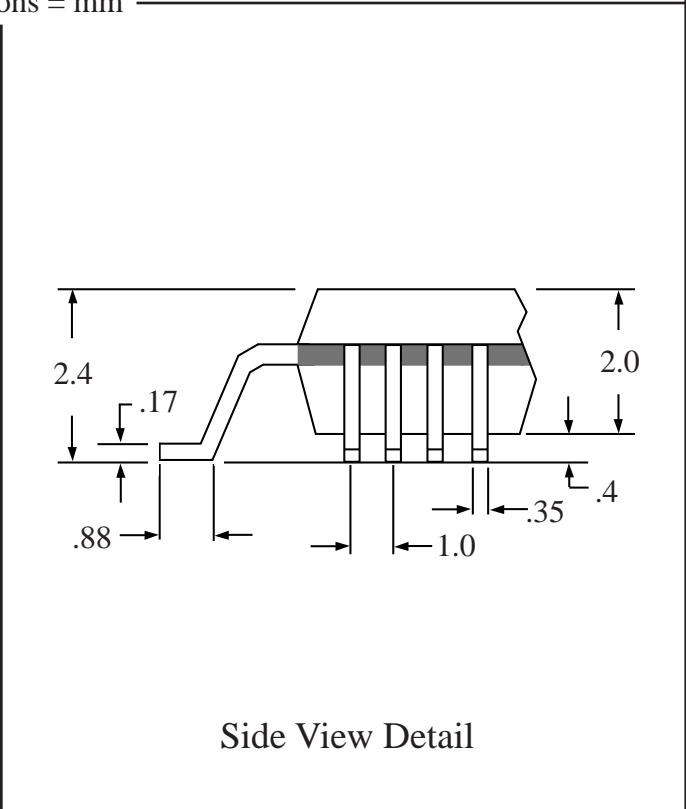
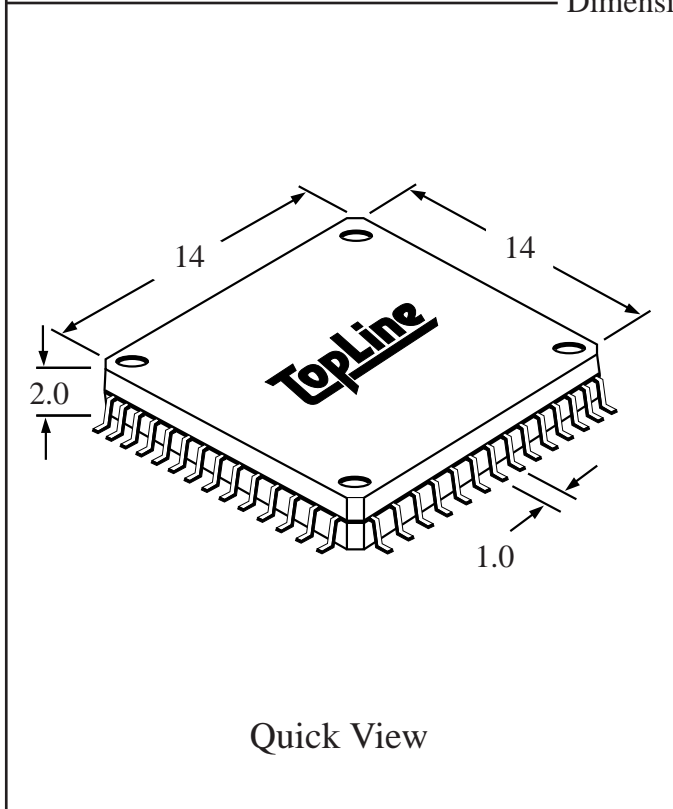


Tel 1-714-898-3830

info@toplinedummy.com



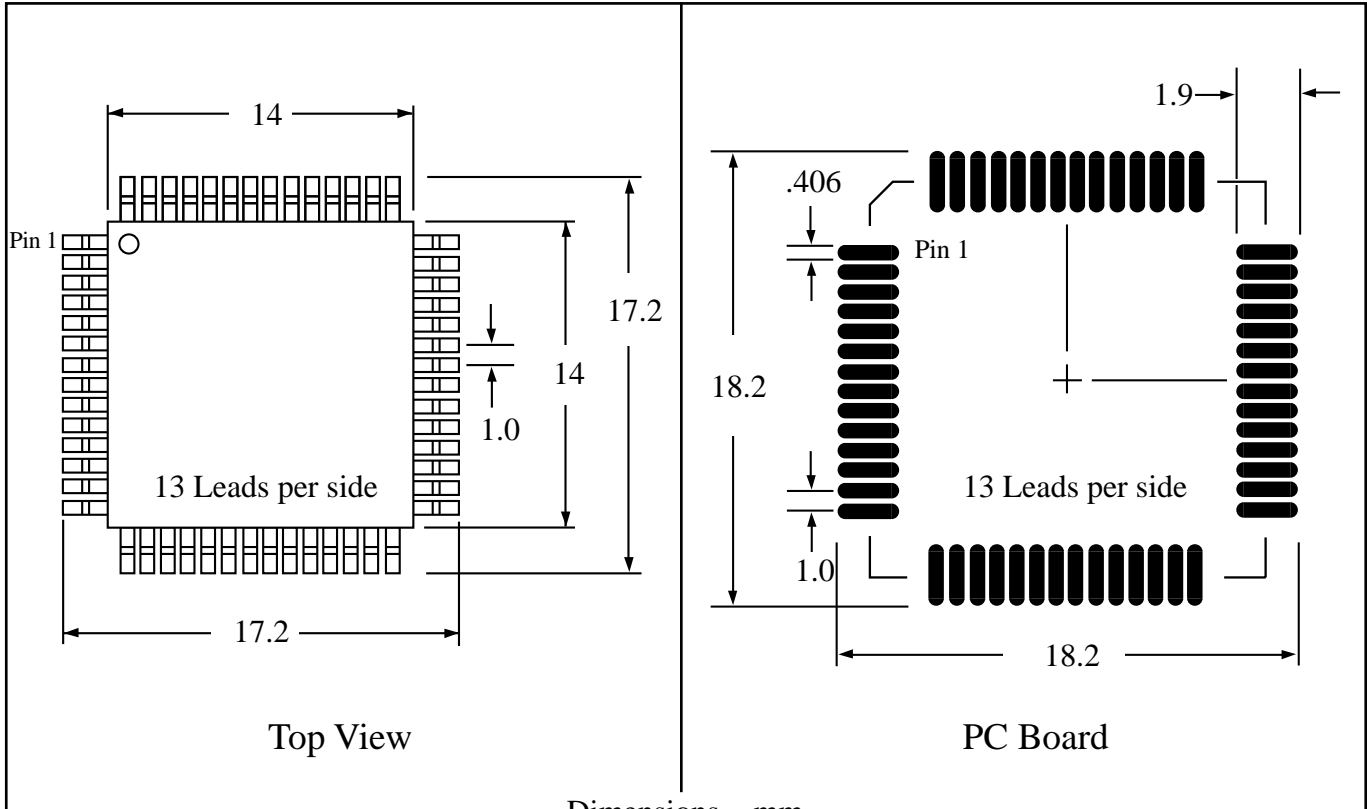
Dimensions = mm



Part # **QFP52T40-3.2-2.7H**
 Leads **52** Pitch **1.0mm**
 Body Size **14mmSQ**

TopLine™
 Tel 1-714-898-3830
 info@toplinedummy.com

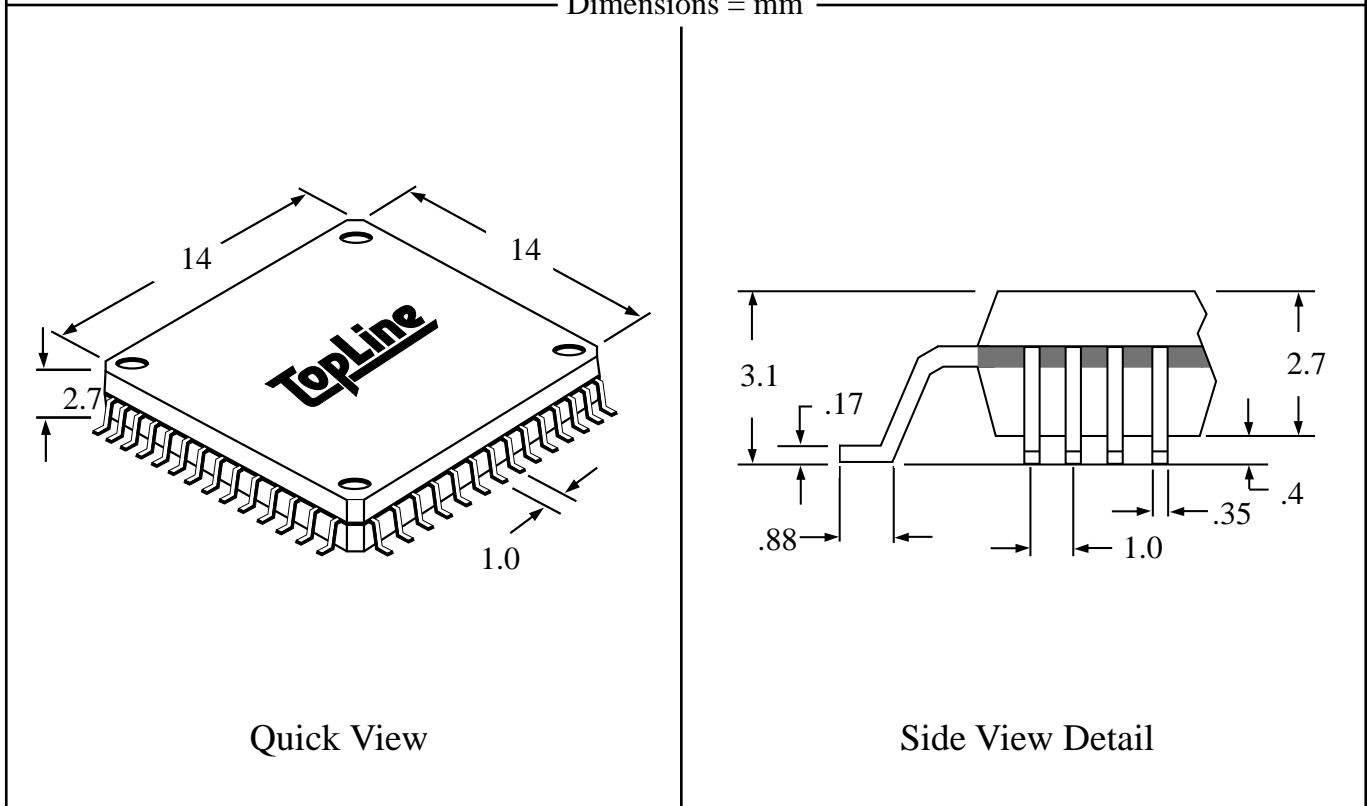
Dwg Q52P132H.pdf



Top View

PC Board

Dimensions = mm



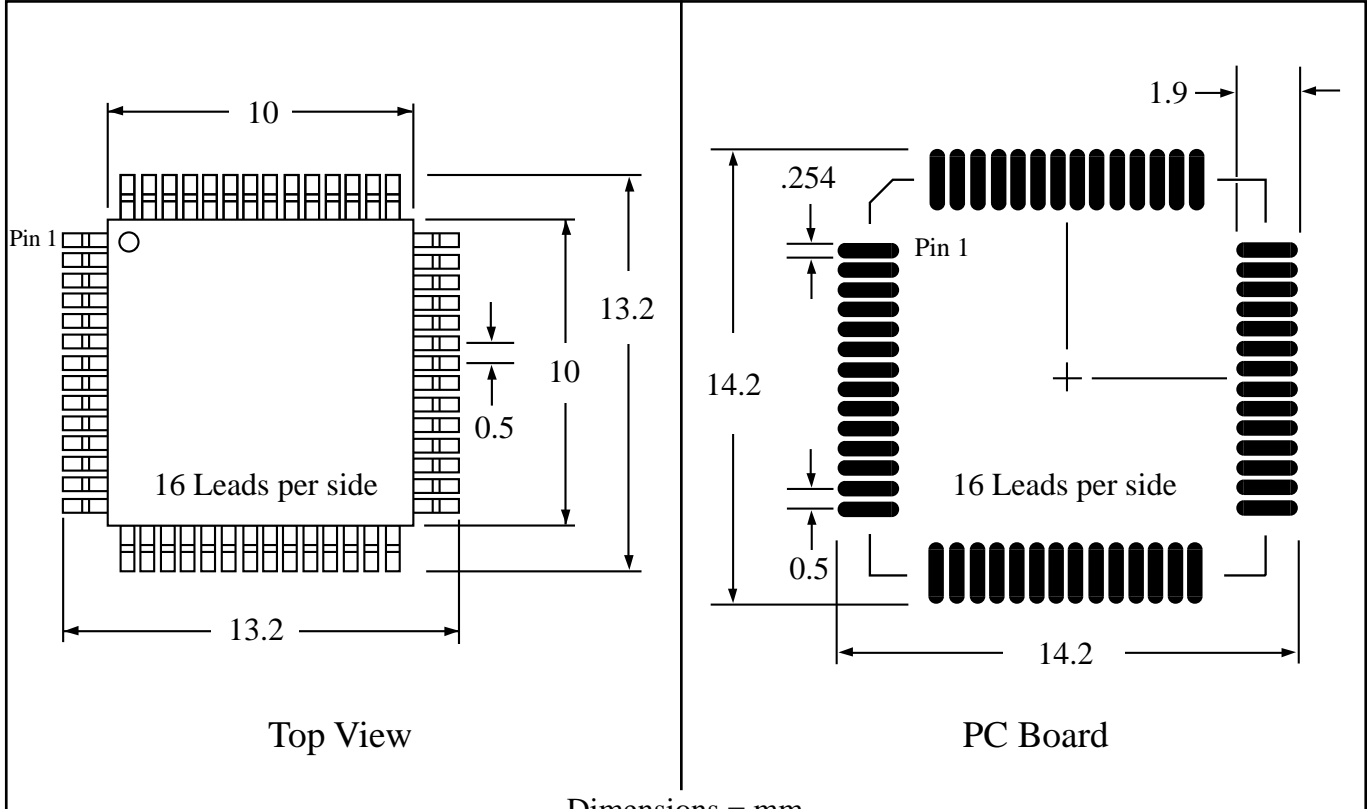
Quick View

Side View Detail

Part # **QFP64T19.7-3.2**
 Leads **64** Pitch **0.5mm**
 Body Size **10mmSQ**

TopLine™
 Tel 1-714-898-3830
 info@toplinedummy.com

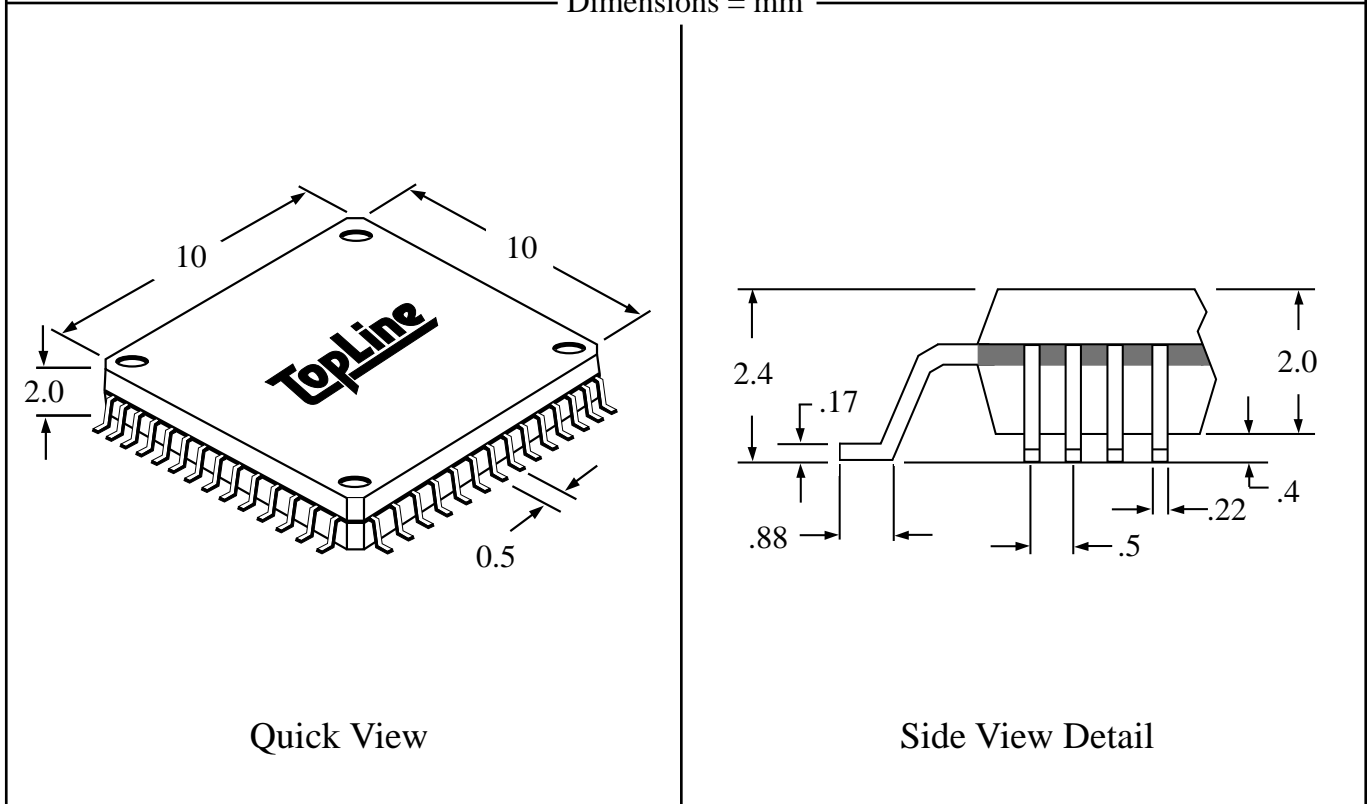
Dwg Q64P532.pdf



Top View

PC Board

Dimensions = mm



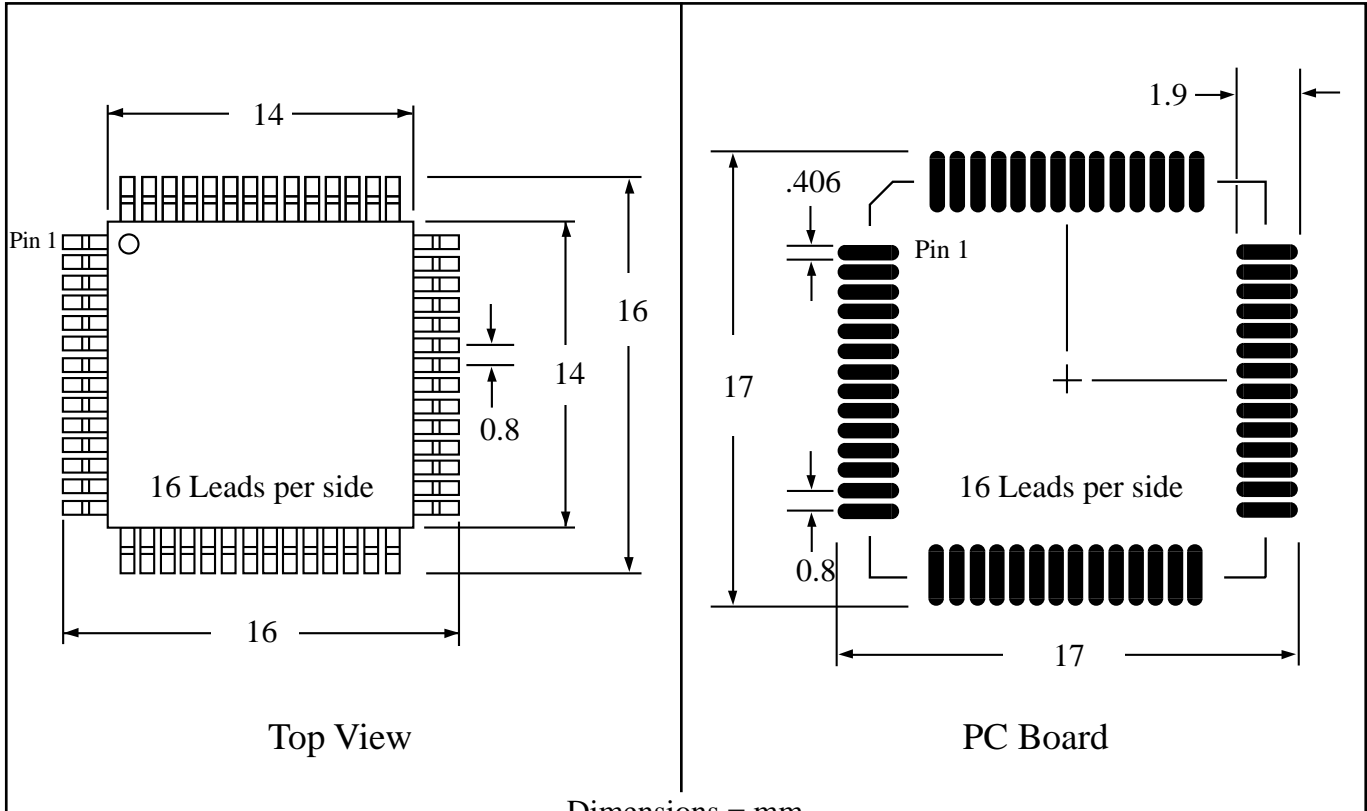
Quick View

Side View Detail

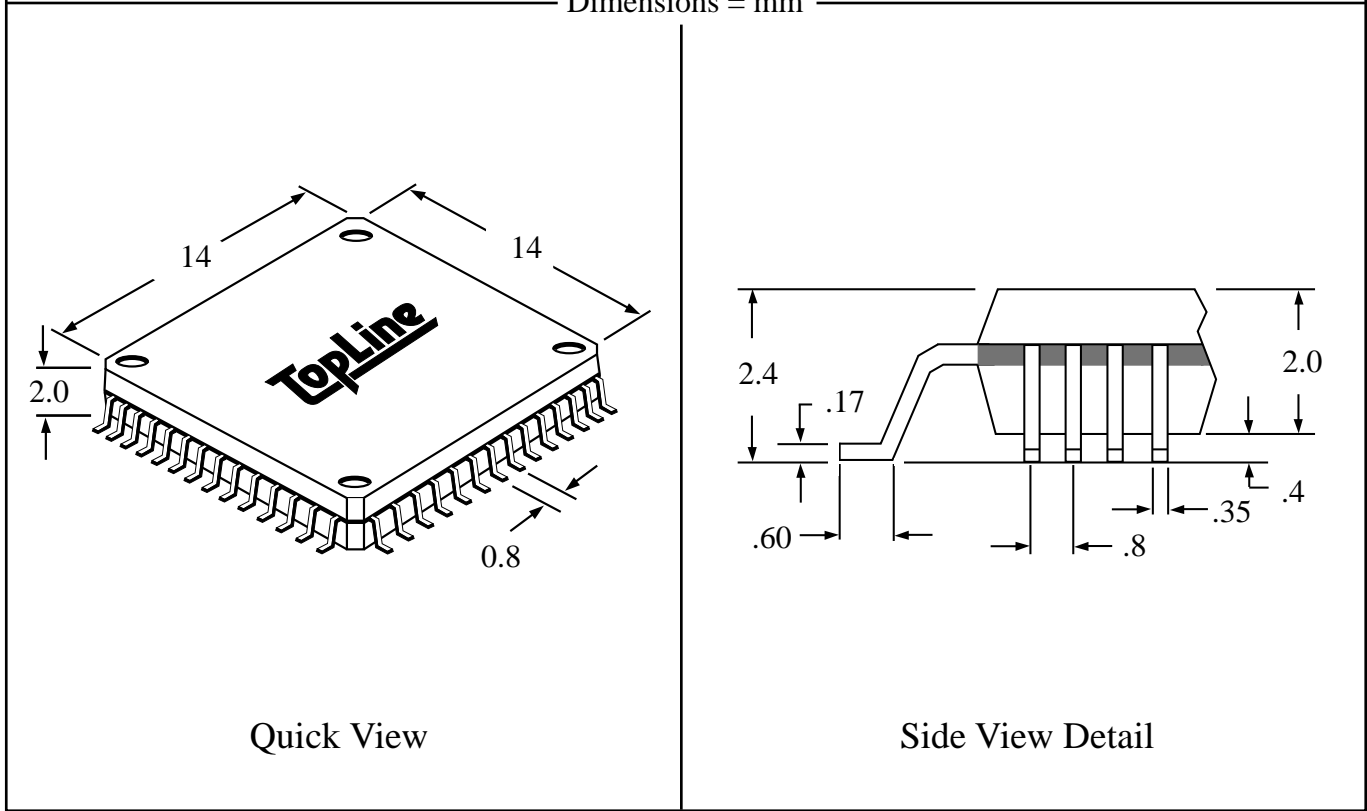
Part # **QFP64T30-2.0**
 Leads **64** Pitch **0.8mm**
 Body Size **14mmSQ**

TopLine™
 Tel 1-714-898-3830
 info@toplinedummy.com

Dwg Q64P820.pdf



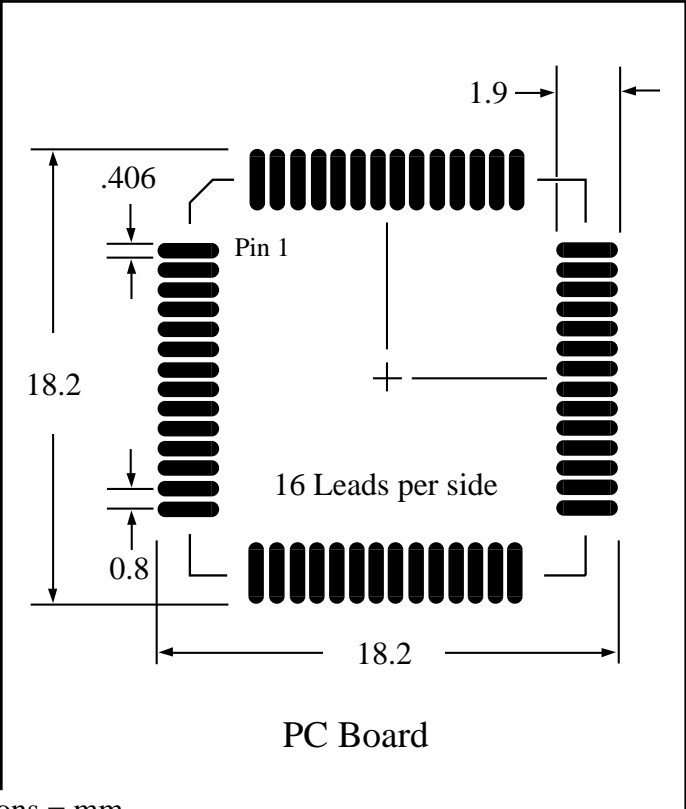
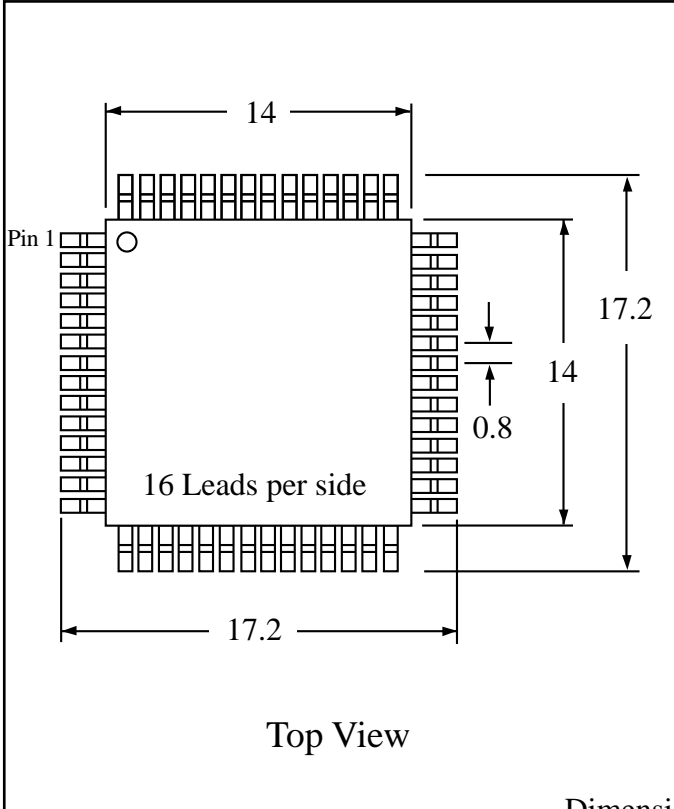
Dimensions = mm



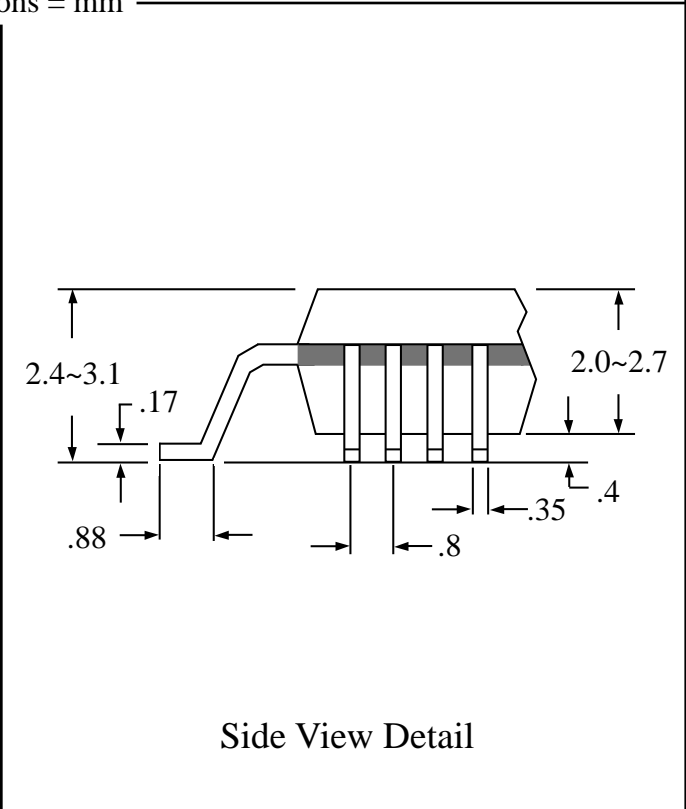
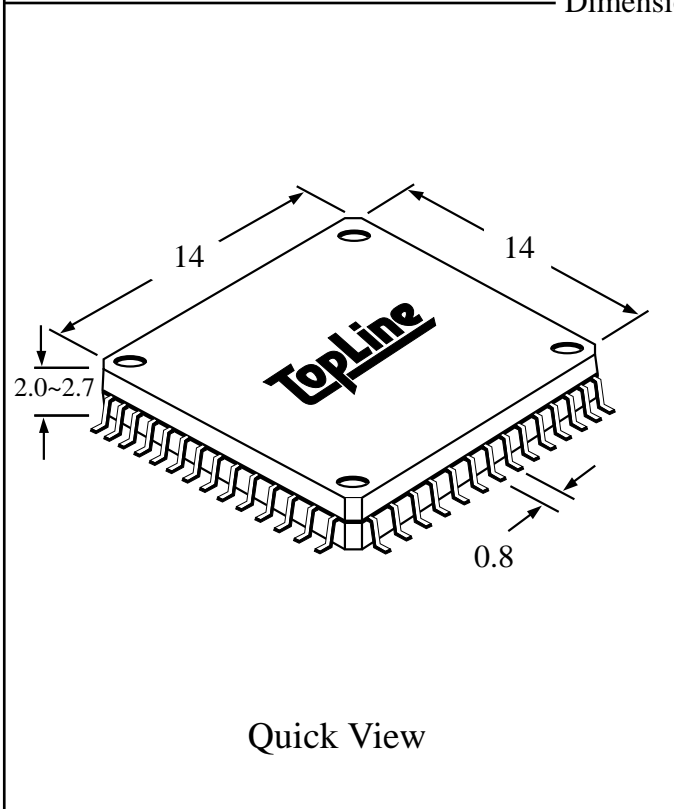
Part # **QFP64T30-3.2**
 Leads **64** Pitch **0.8mm**
 Body Size **14mmSQ**

TopLine™
 Tel 1-714-898-3830
 info@toplinedummy.com

Dwg Q64P832X.pdf



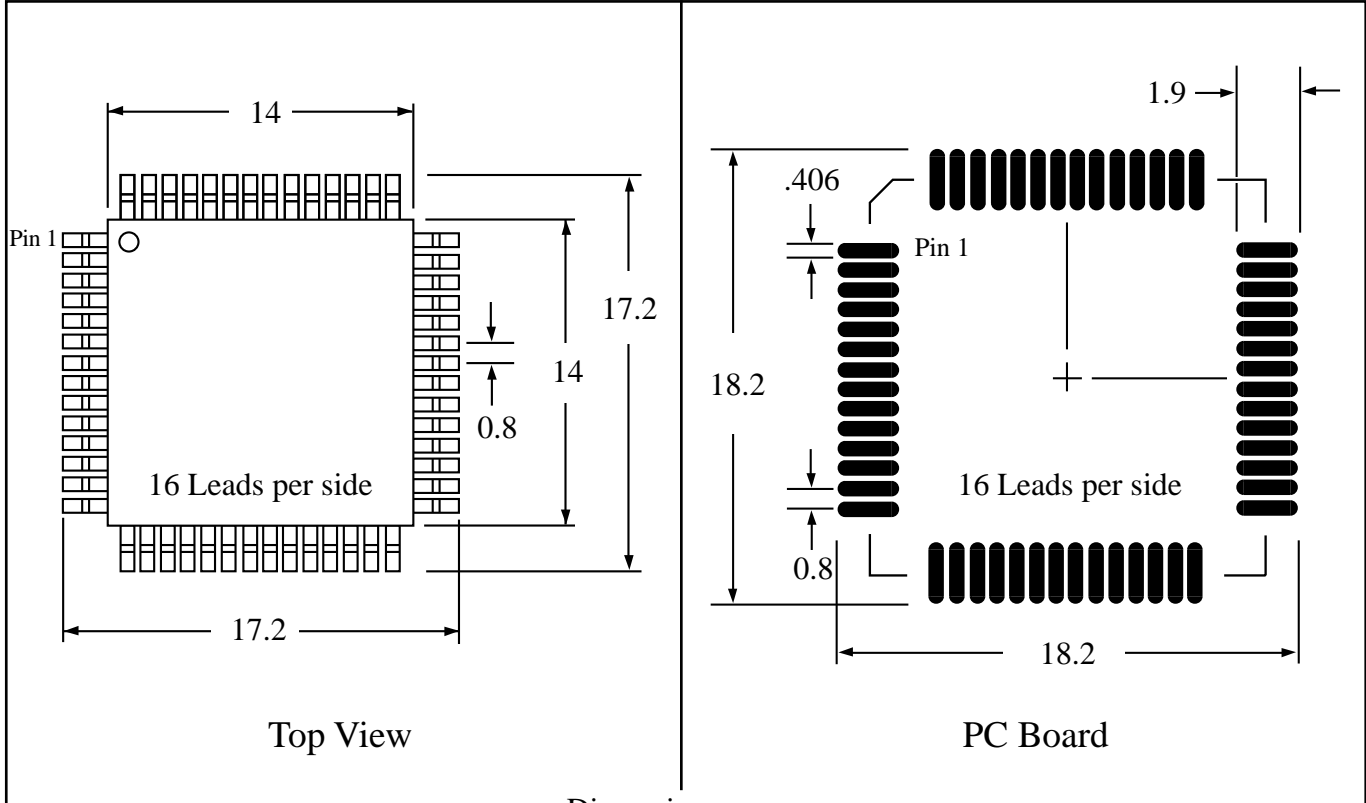
Dimensions = mm



Part # **QFP64T30-3.2-2.0H**
 Leads **64** Pitch **0.8mm**
 Body Size **14mmSQ**

TopLineTM
 Tel 1-714-898-3830
 info@toplinedummy.com

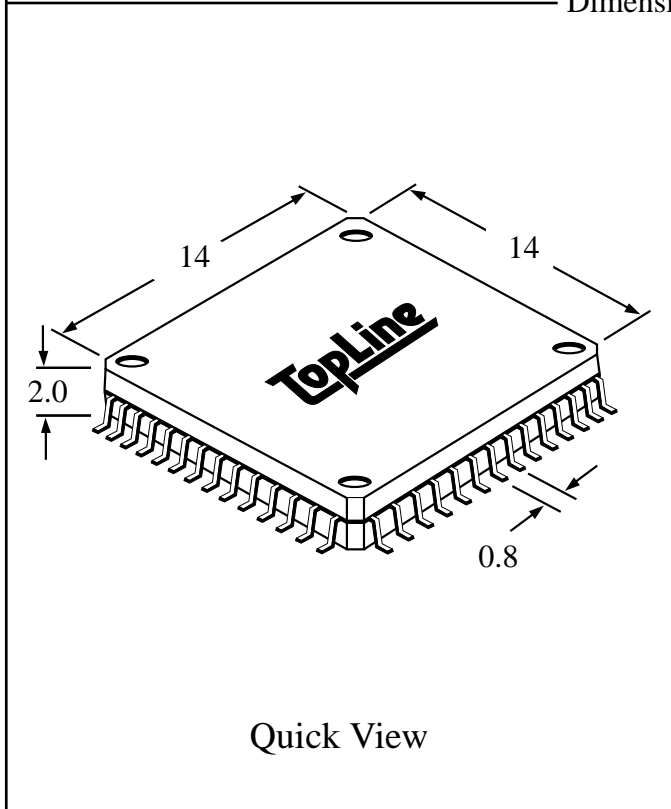
Dwg Q64P832.pdf



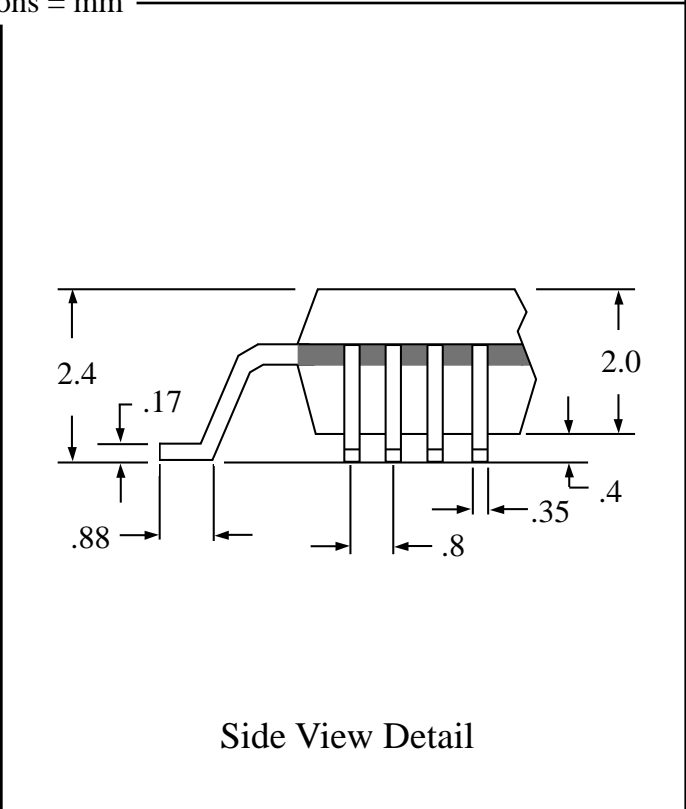
Top View

PC Board

Dimensions = mm



Quick View

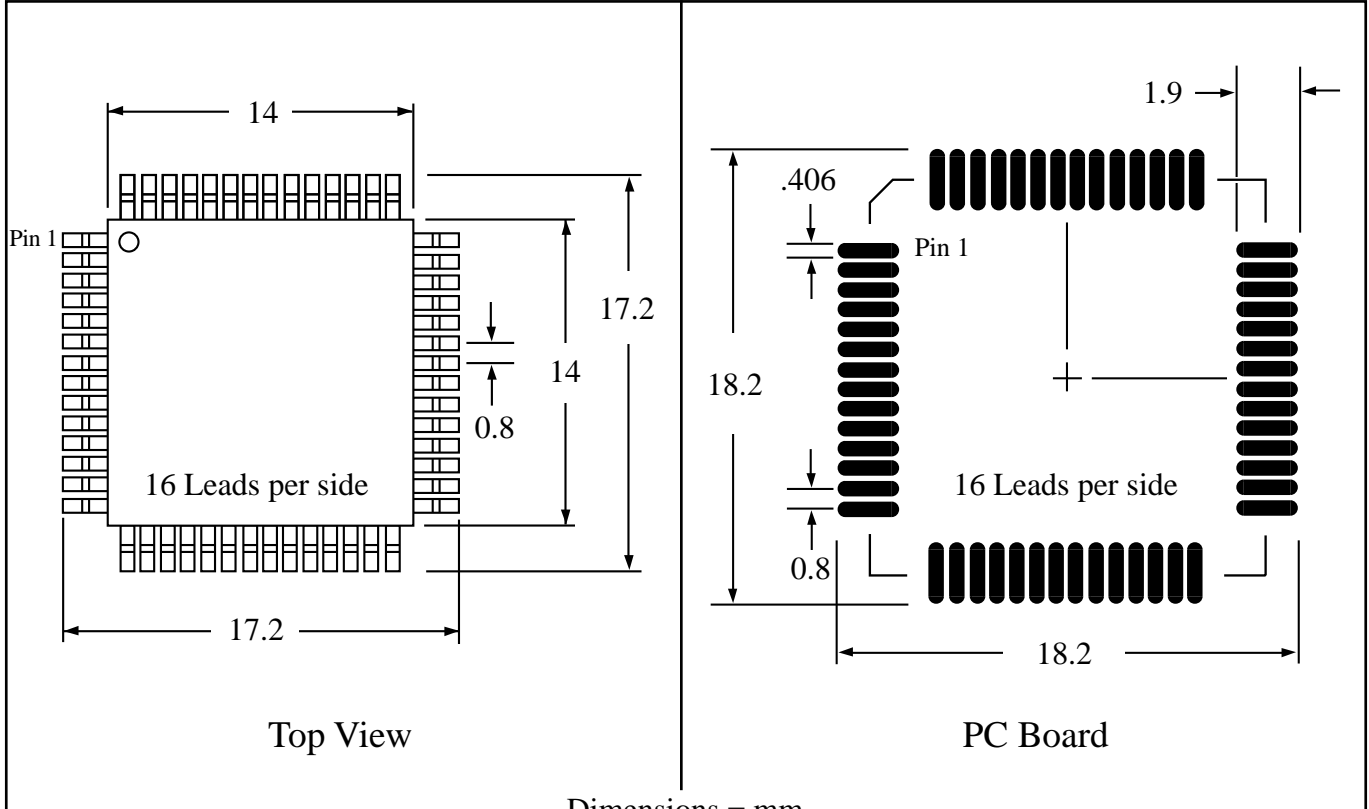


Side View Detail

Part # **QFP64T30-3.2-2.7H**
 Leads **64** Pitch **0.8mm**
 Body Size **14mmSQ**

TopLineTM
 Tel 1-714-898-3830
 info@toplinedummy.com

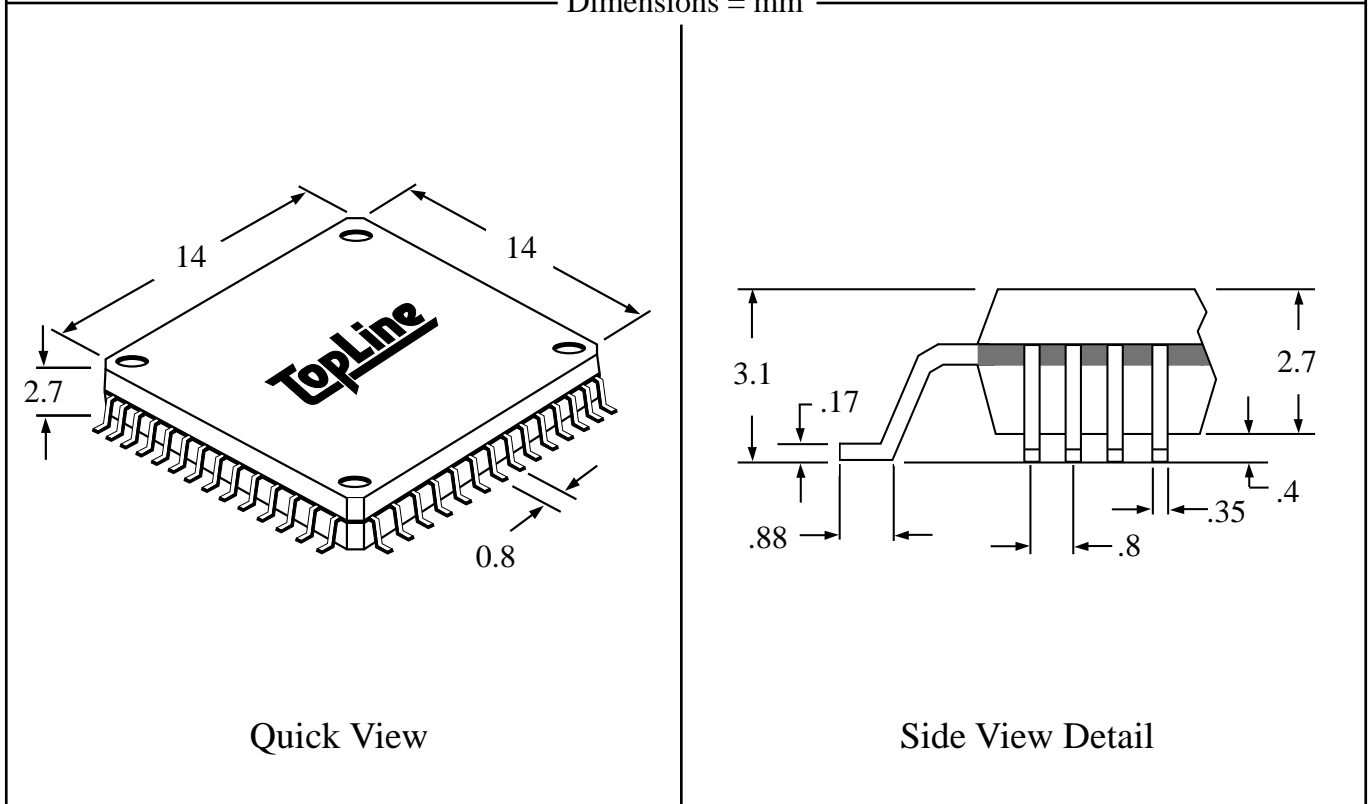
Dwg Q64P832H.pdf



Top View

PC Board

Dimensions = mm



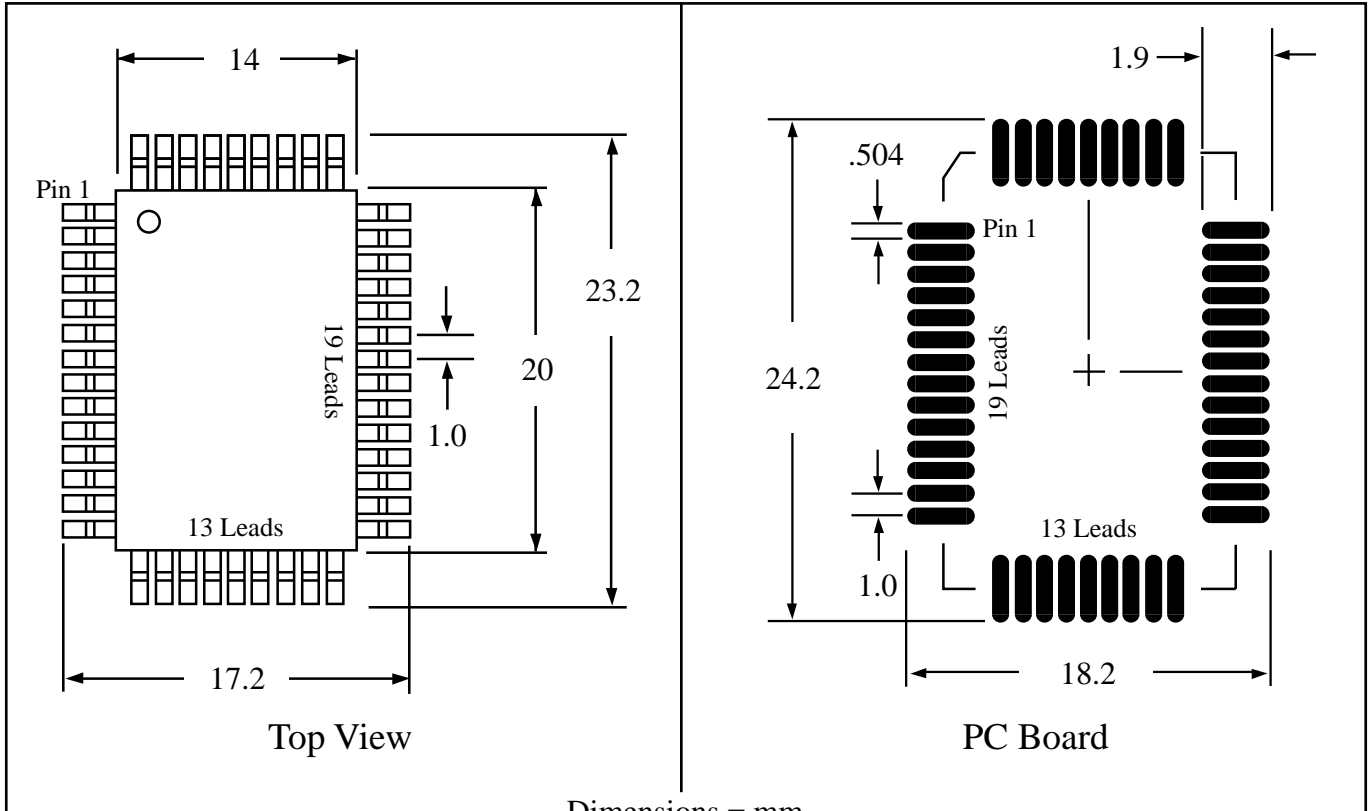
Quick View

Side View Detail

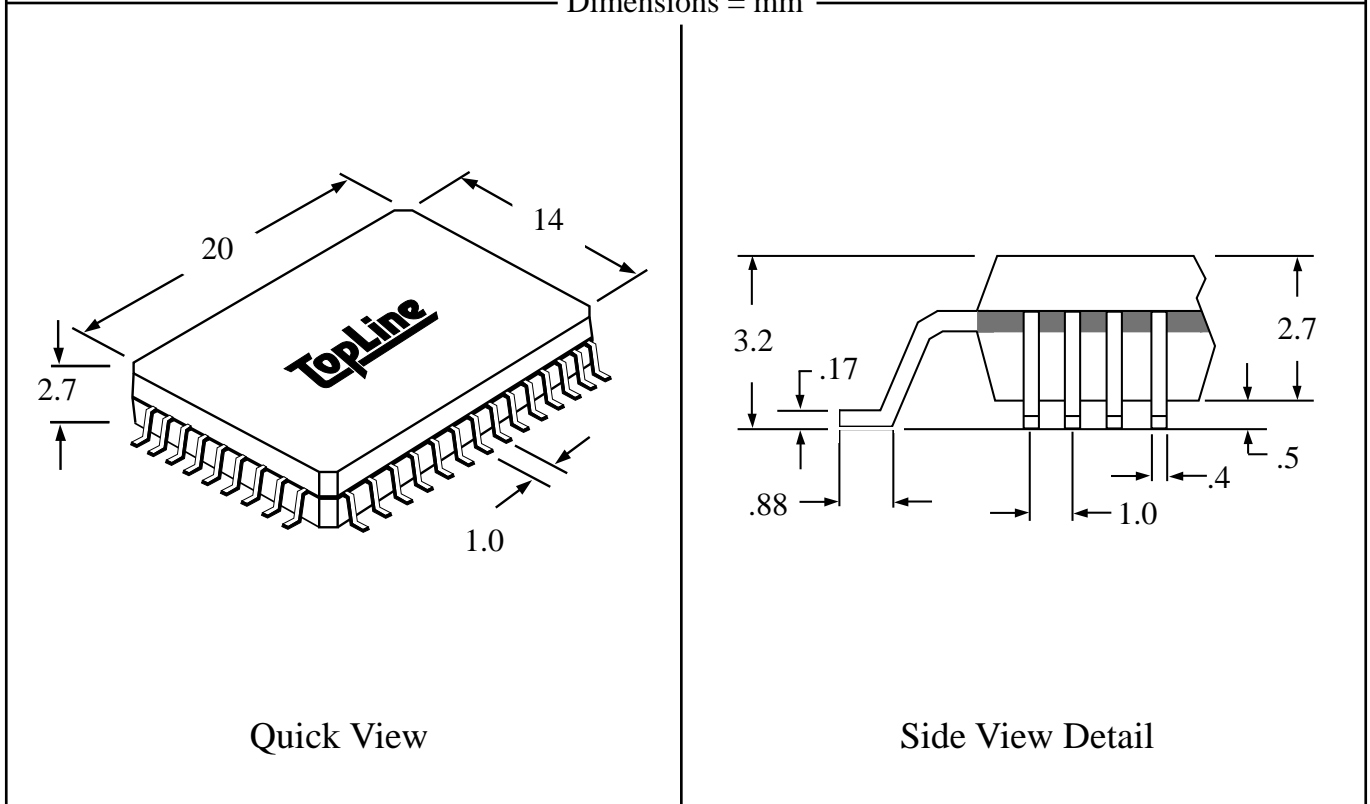
Part # **QFP64T40-3.2**
 Leads **64** Pitch **1.0mm**
 Body Size **14mm x 2.0mm**

TopLineTM
 Tel 1-714-898-3830
 info@toplinedummy.com

Dwg Q64P132.pdf



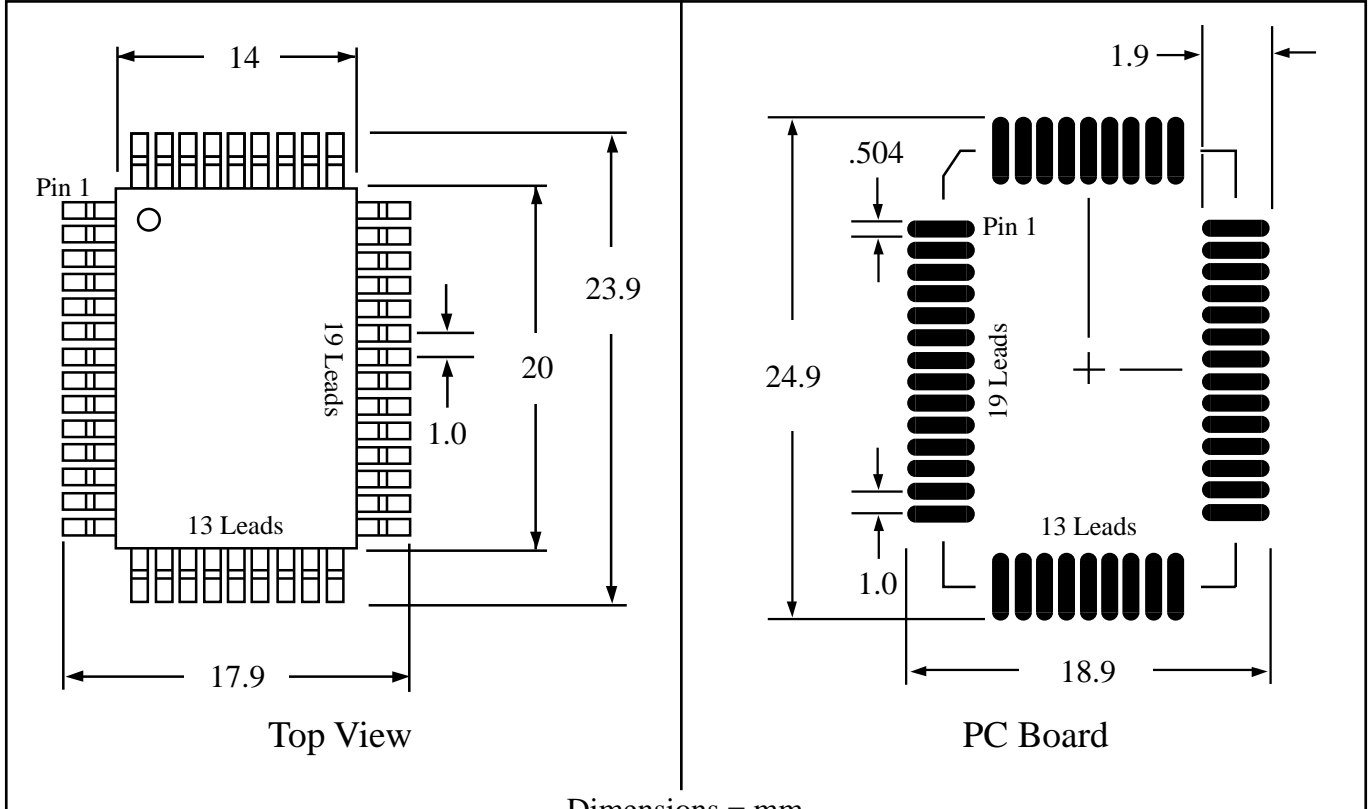
Dimensions = mm



Part # **QFP64T40-3.9**
 Leads **64** Pitch **1.0mm**
 Body Size **14mm x 2.0mm**

TopLineTM
 Tel 1-714-898-3830
 info@toplinedummy.com

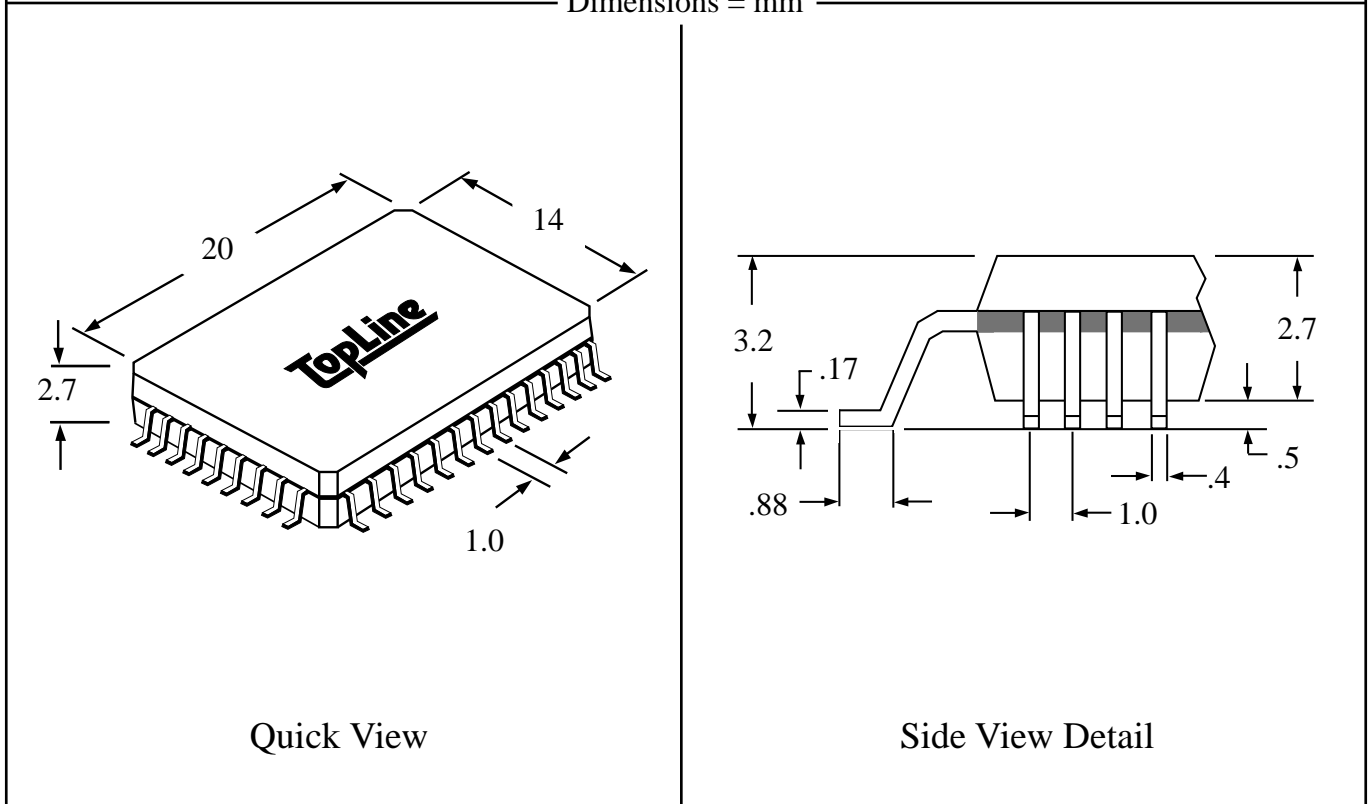
Dwg Q64T139.pdf



Top View

PC Board

Dimensions = mm



Quick View

Side View Detail

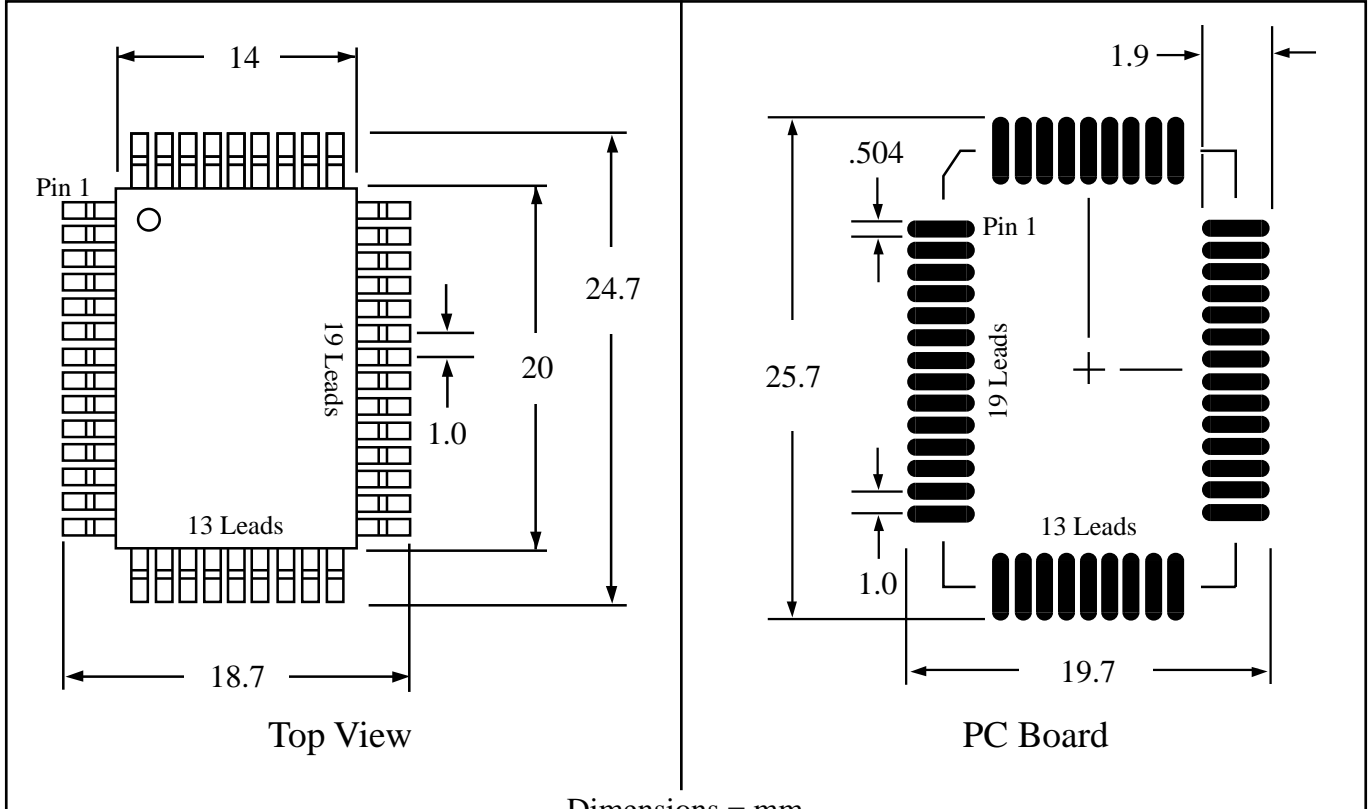
Part # **QFP64T40-4.7**
 Leads **64** Pitch **1.0mm**
 Body Size **14mm x 2.0mm**

Dwg Q64P147.pdf

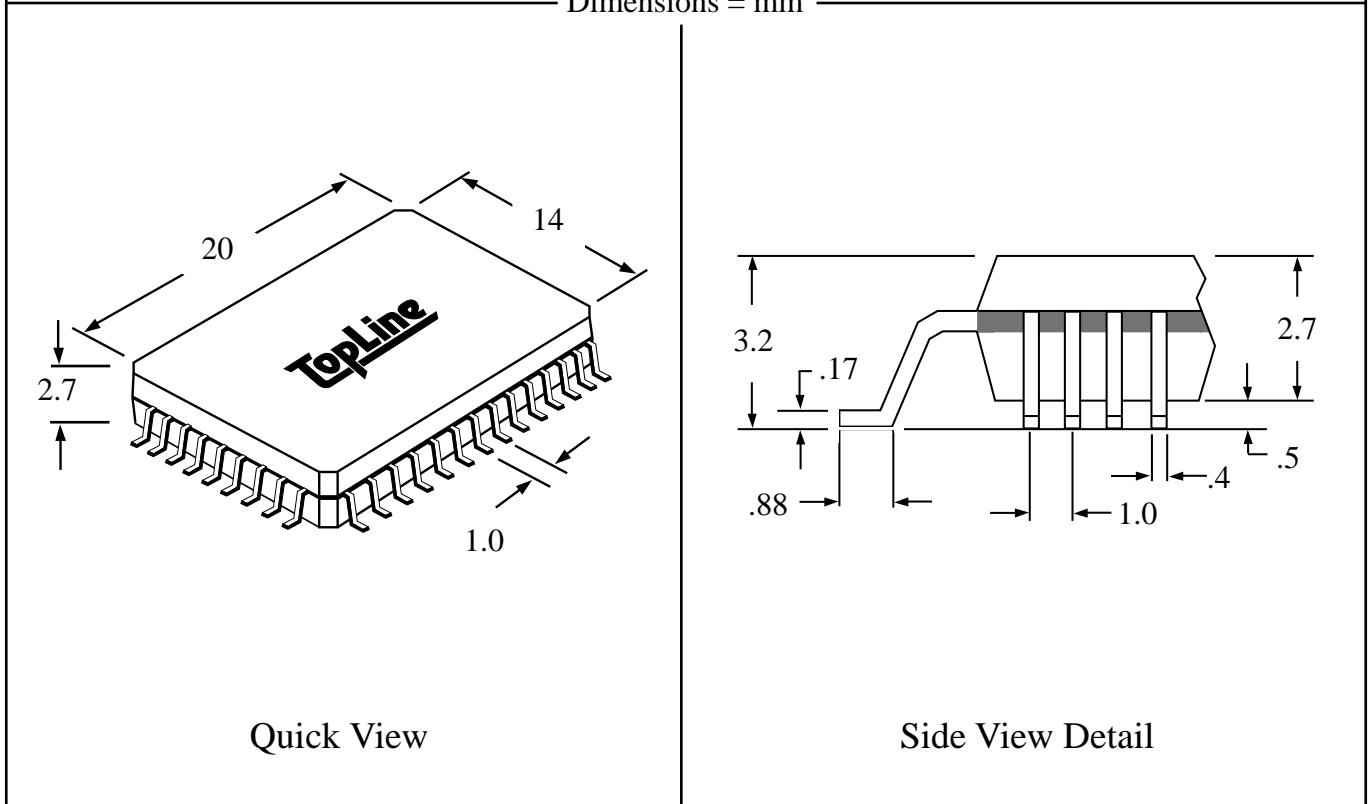
TopLineTM

Tel 1-714-898-3830

info@toplinedummy.com



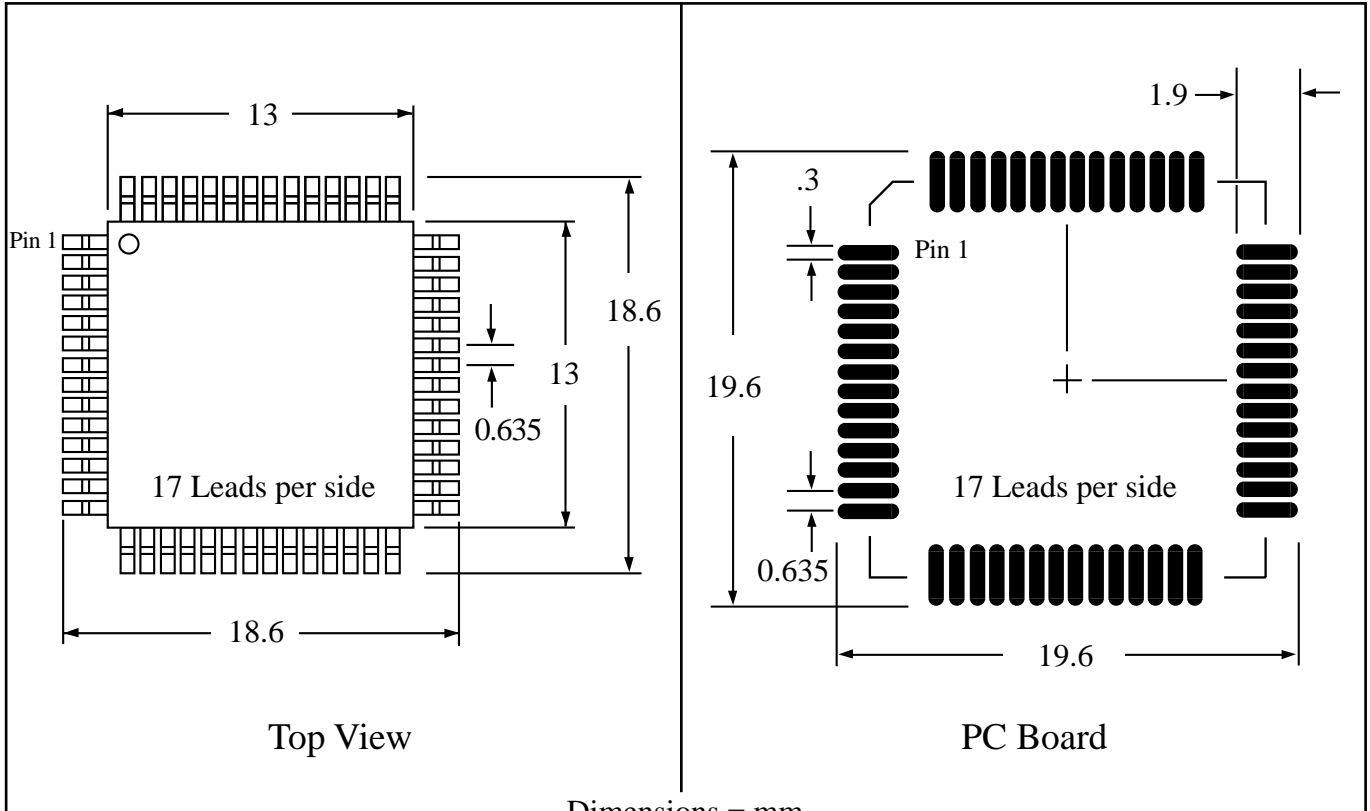
Dimensions = mm



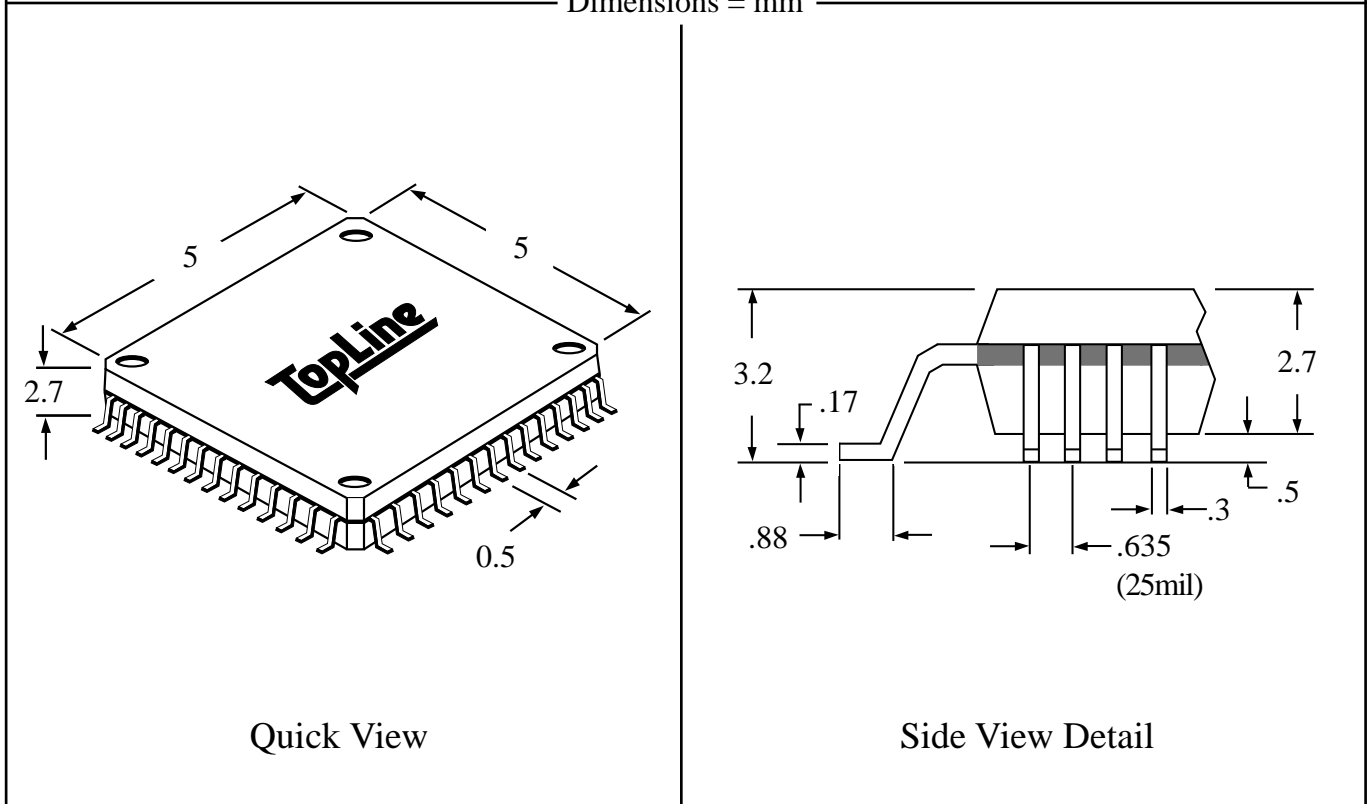
Part # **QF68T25-5.6**
 Leads **68** Pitch **0.635mm**
 Body Size **13mmSQ**

TopLine™
 Tel 1-714-898-3830
 info@toplinedummy.com

Dwg Q68P656.pdf



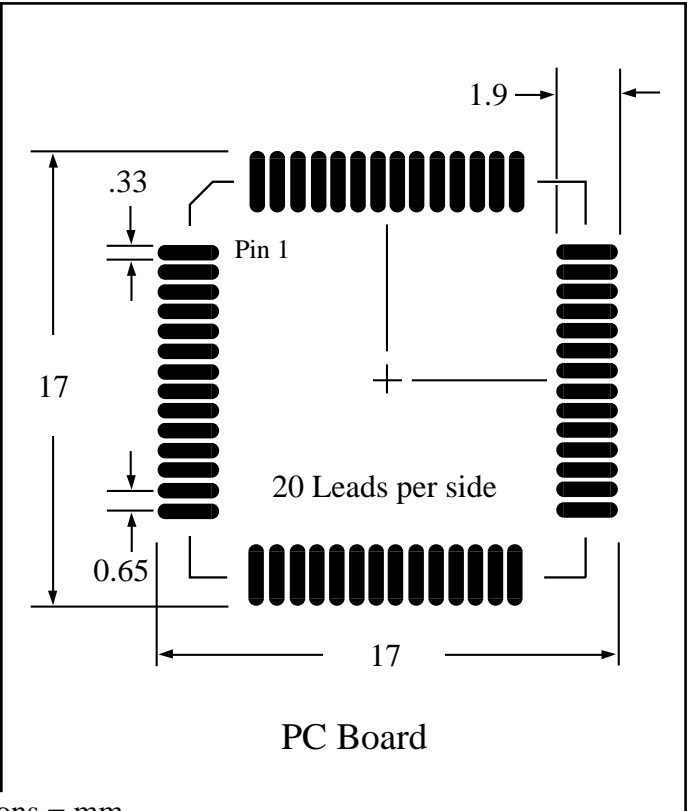
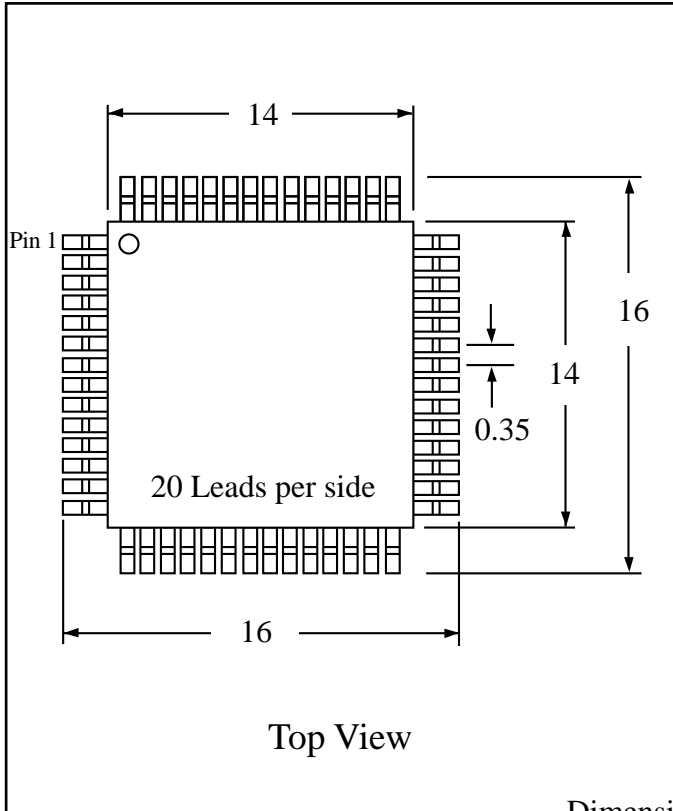
Dimensions = mm



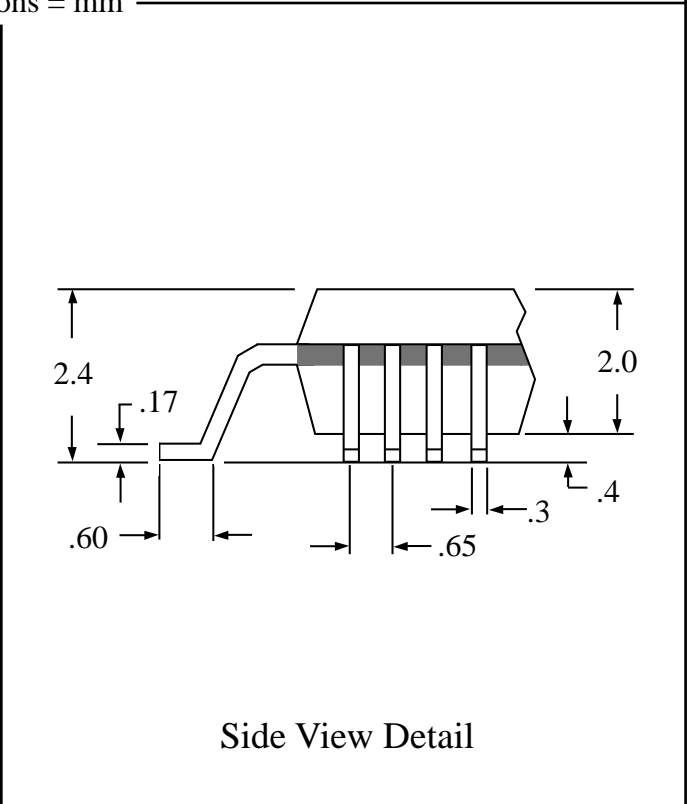
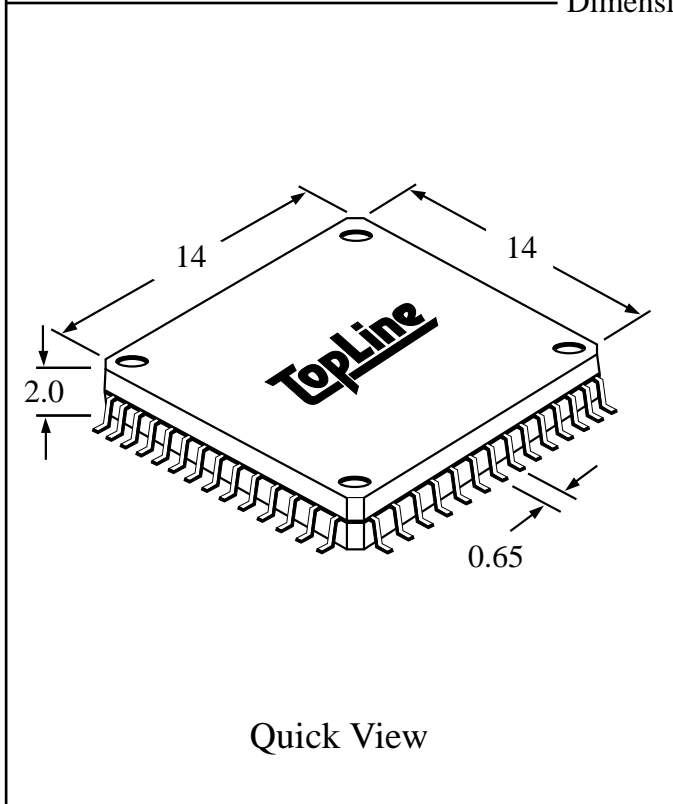
Part # **QFP80T25-2.0**
 Leads **80** Pitch **0.65mm**
 Body Size **14mmSQ**

TopLine™
 Tel 1-714-898-3830
 info@toplinedummy.com

Dwg Q80P620.pdf



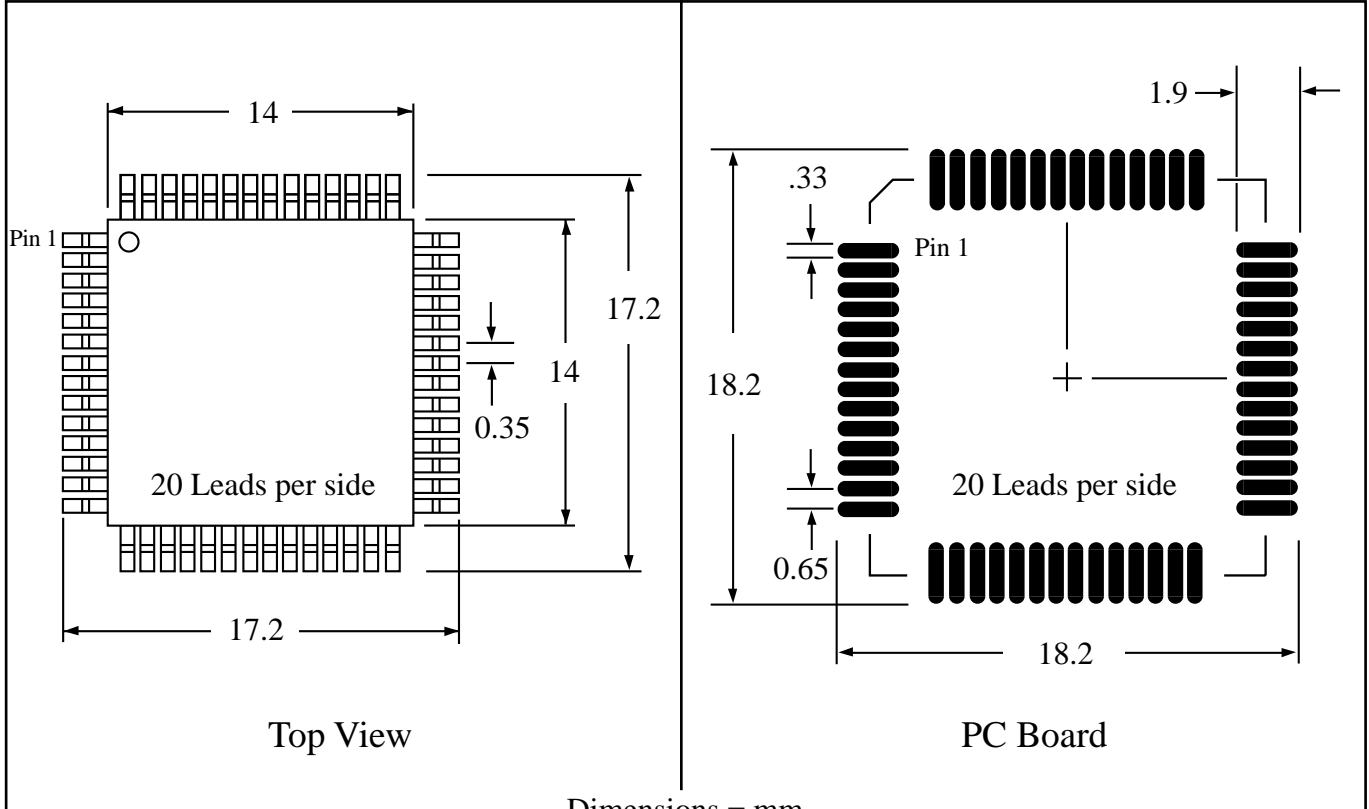
Dimensions = mm



Part # **QFP80T25-3.2**
 Leads **80** Pitch **0.65mm**
 Body Size **14mmSQ**

TopLine™
 Tel 1-714-898-3830
 info@toplinedummy.com

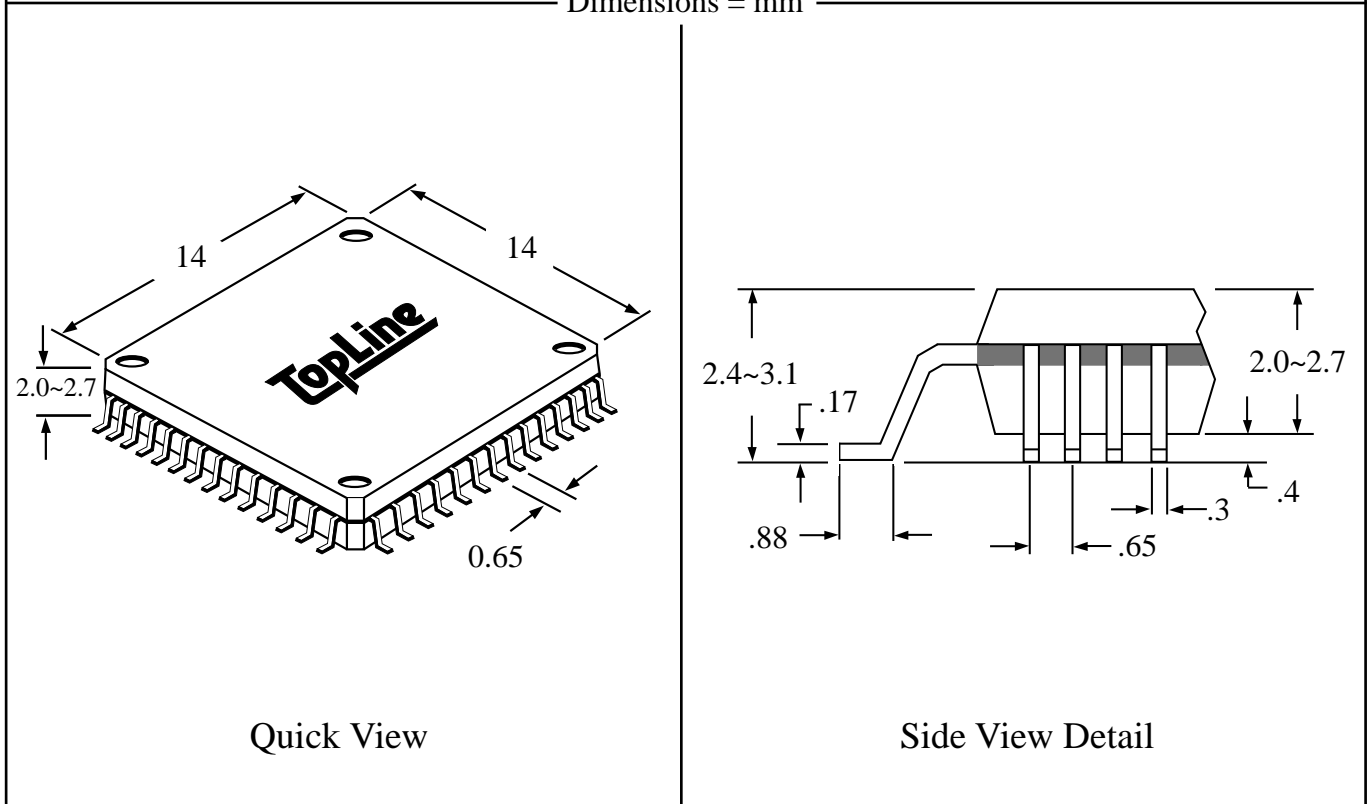
Dwg Q80P632X.pdf



Top View

PC Board

Dimensions = mm



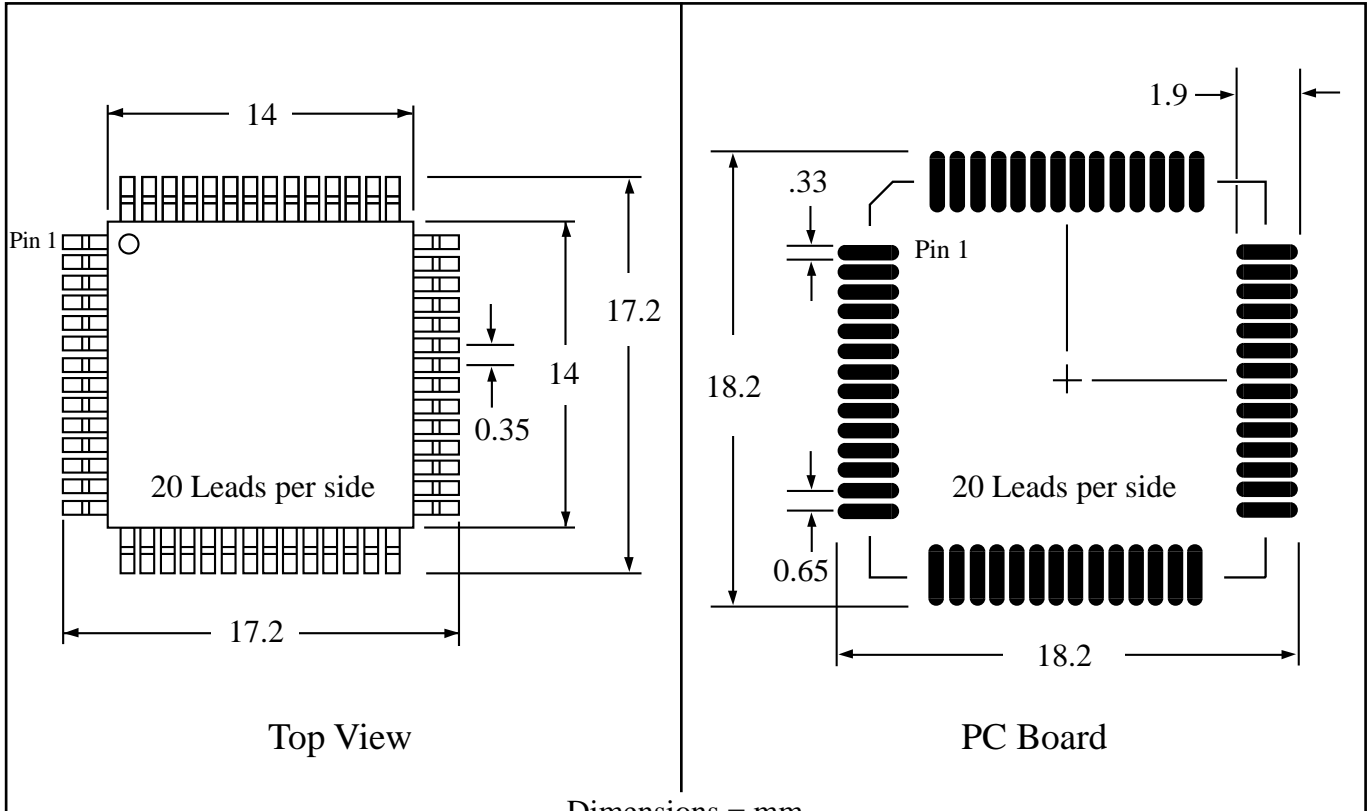
Quick View

Side View Detail

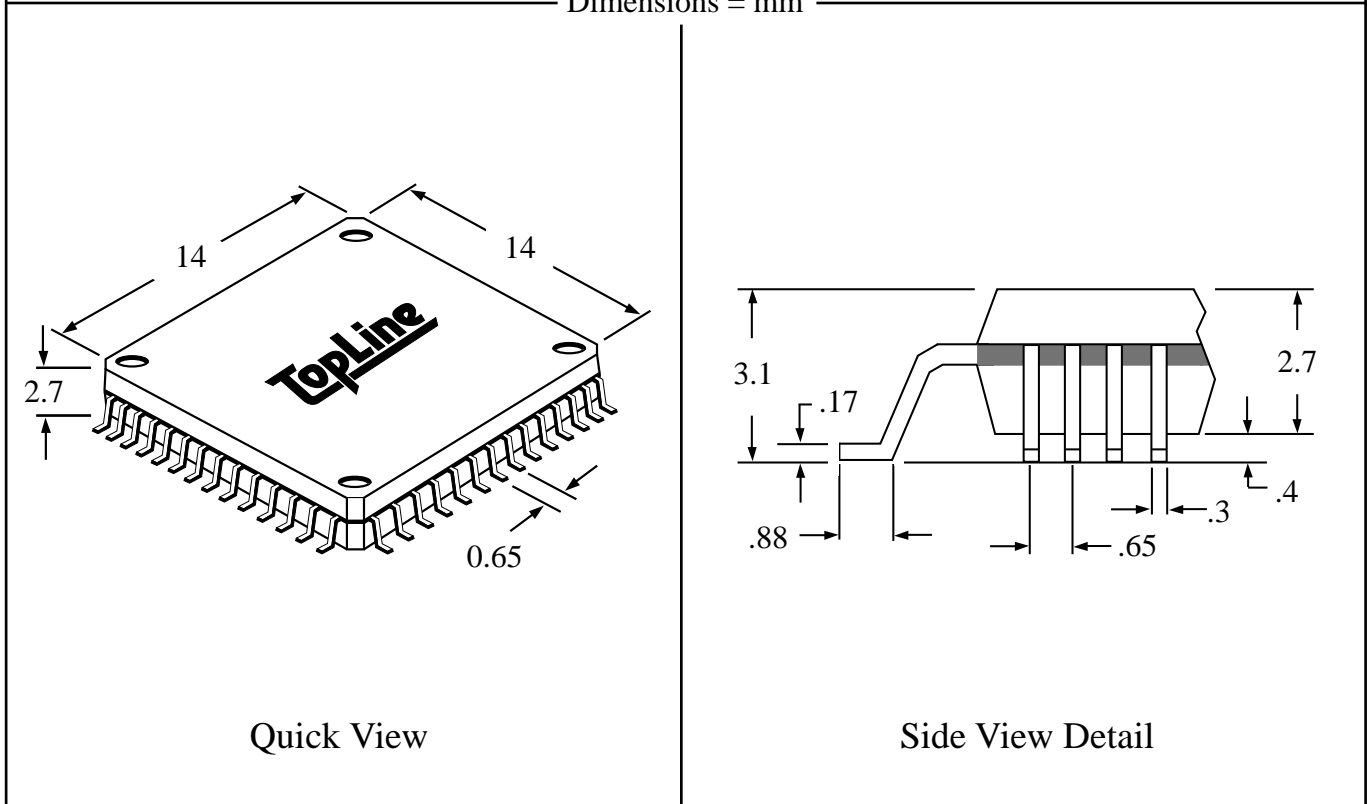
Part # **QFP80T25-3.2-2.7H**
 Leads **80** Pitch **0.56mm**
 Body Size **14mmSQ**

TopLineTM
 Tel 1-714-898-3830
 info@toplinedummy.com

Dwg Q80P632H.pdf



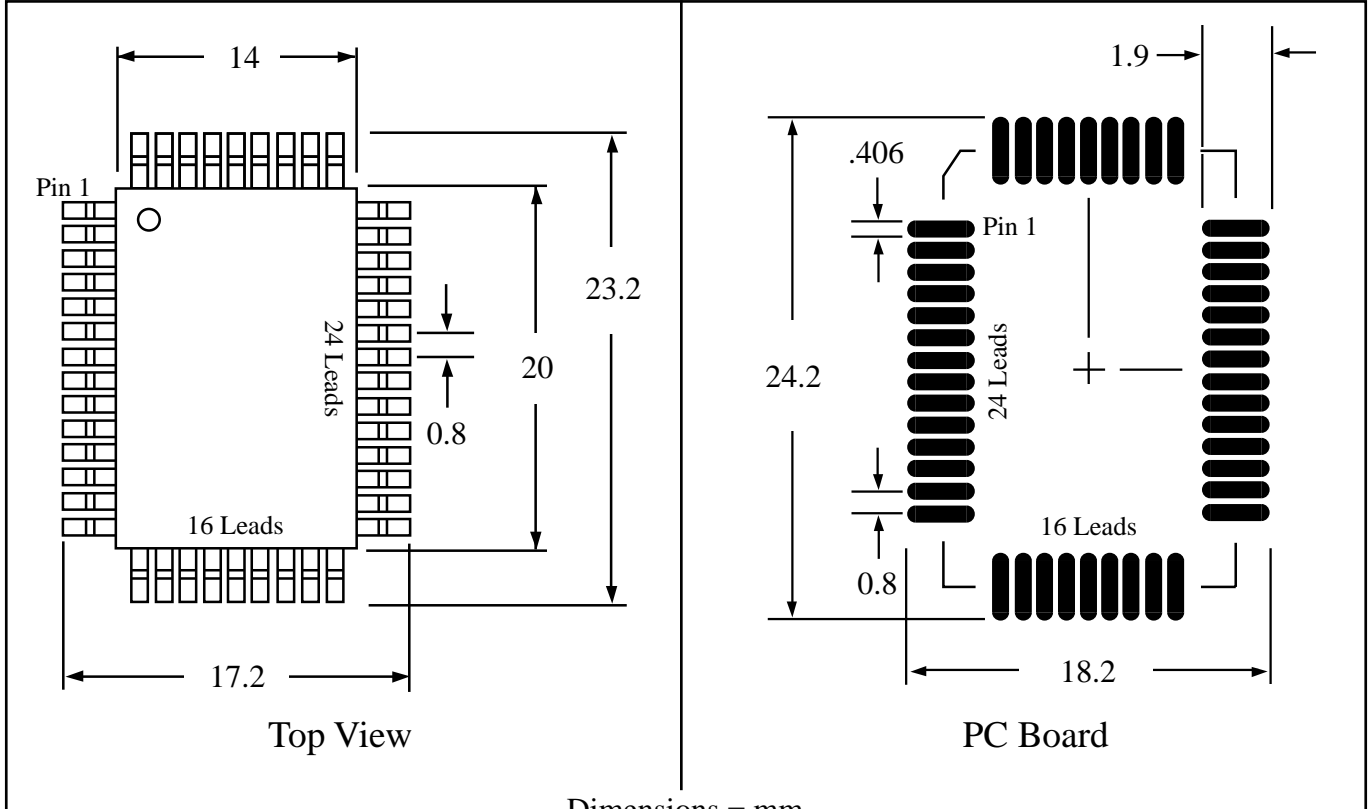
Dimensions = mm



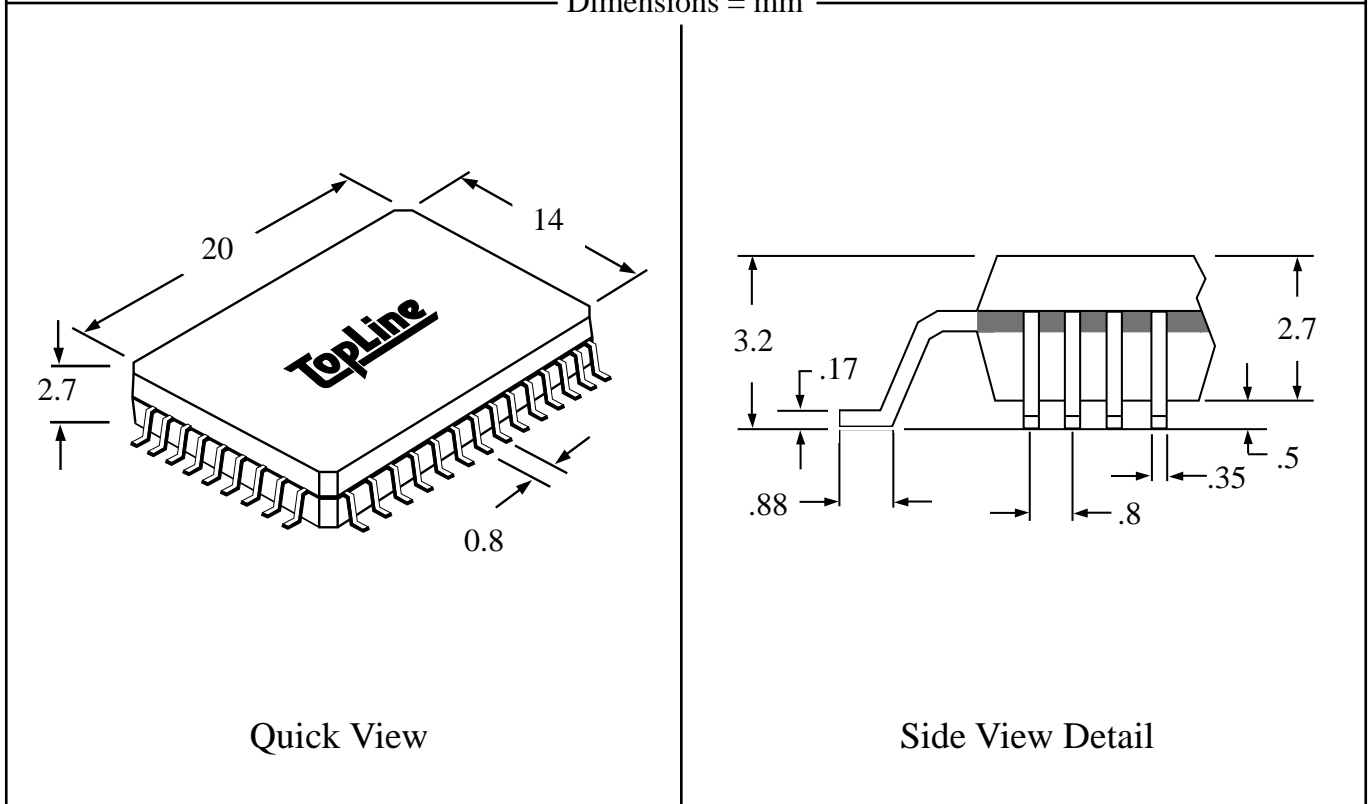
Part # **QFP80T30-3.2**
 Leads **80** Pitch **0.8mm**
 Body Size **14mm x 20mm**

TopLineTM
 Tel 1-714-898-3830
 info@toplinedummy.com

Dwg Q80P832.pdf



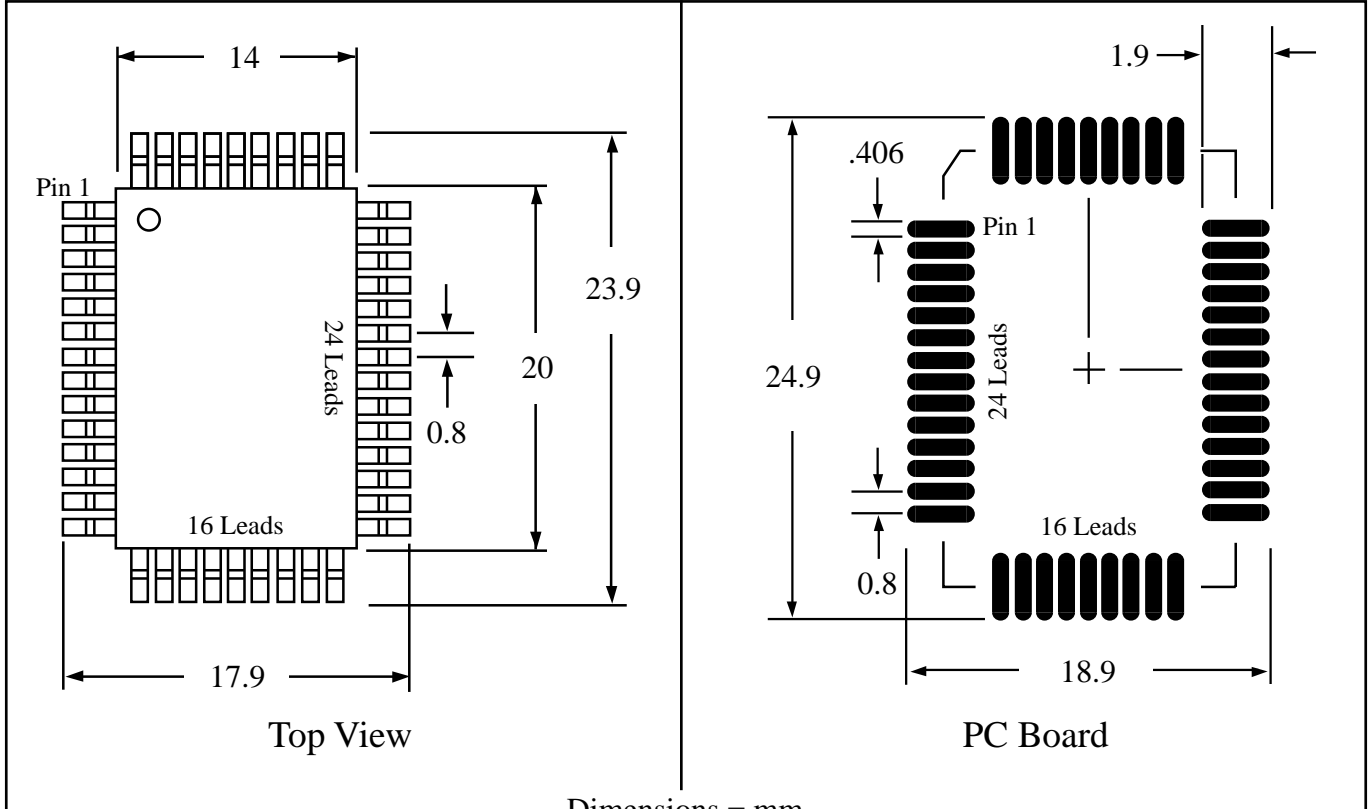
Dimensions = mm



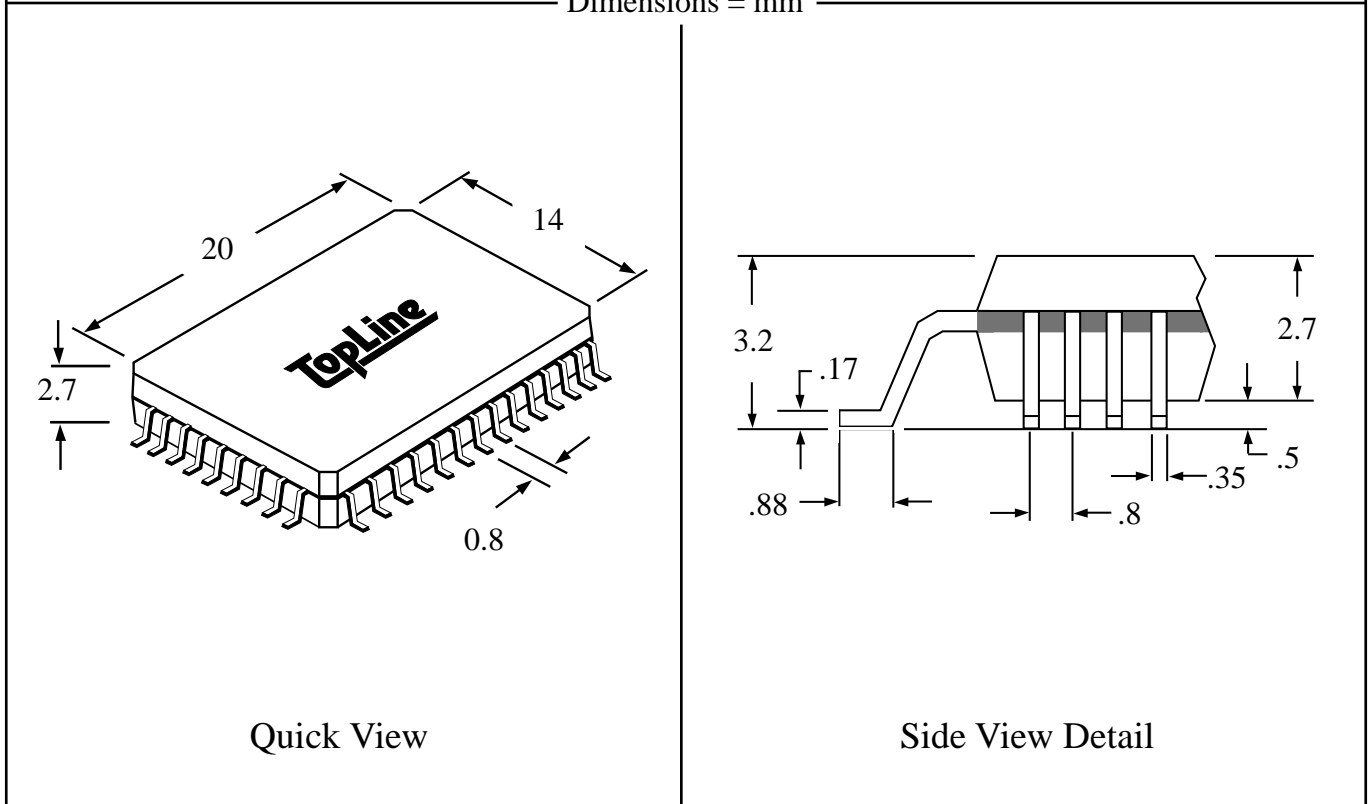
Part # **QFP80T30-3.9**
 Leads **80** Pitch **0.8mm**
 Body Size **14mm x 20mm**

TopLineTM
 Tel 1-714-898-3830
 info@toplinedummy.com

Dwg Q80P839.pdf



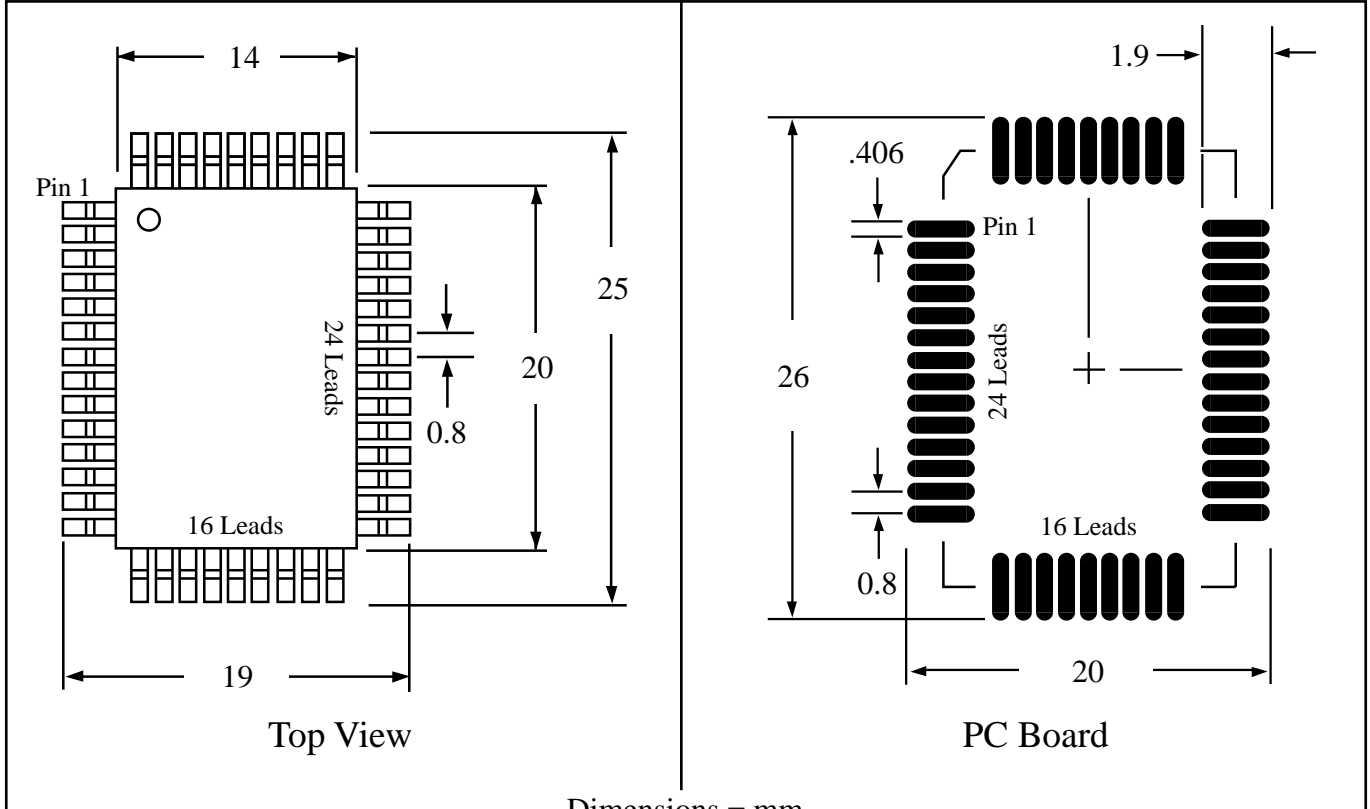
Dimensions = mm



Part # **QFP80T30-5.0**
 Leads **80** Pitch **0.8mm**
 Body Size **14mm x 20mm**

TopLineTM
 Tel 1-714-898-3830
 info@toplinedummy.com

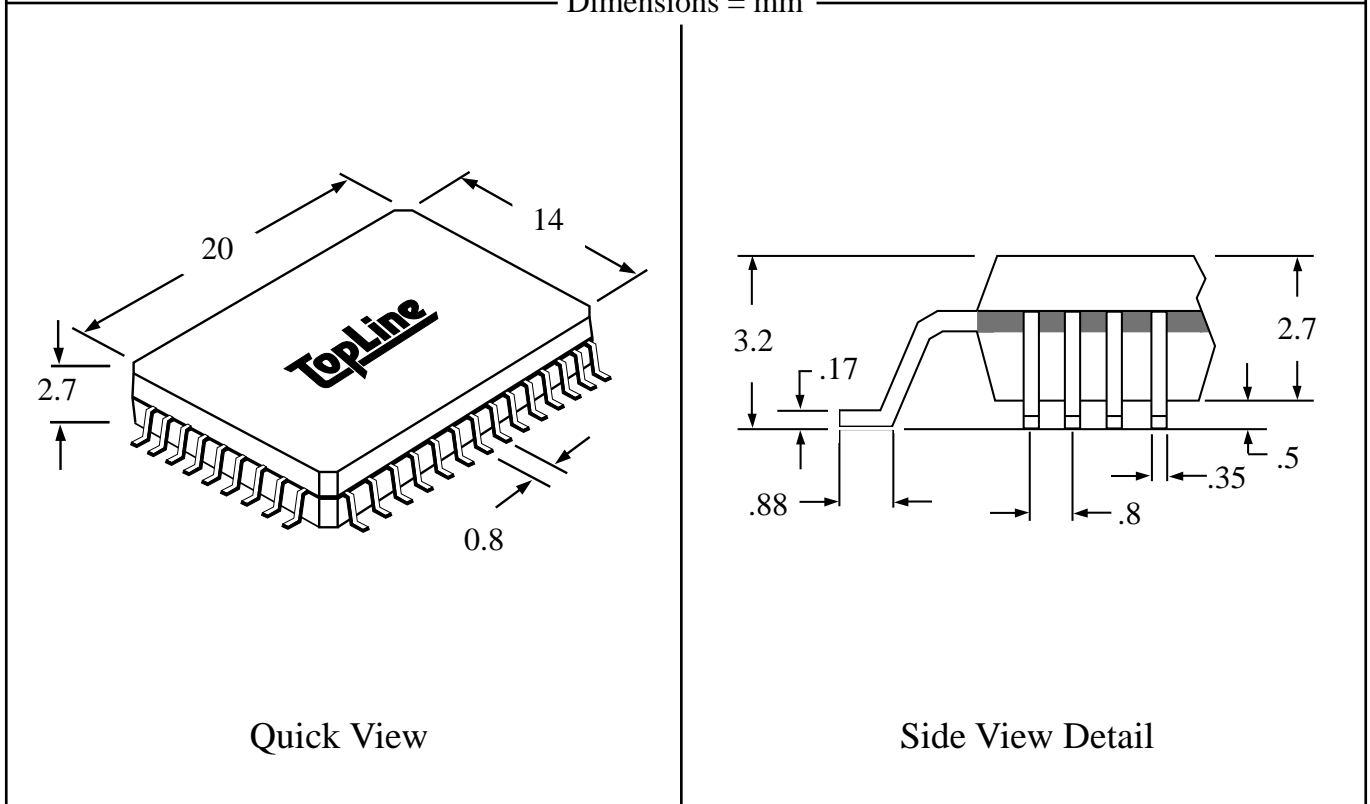
Dwg Q80P850.pdf



Top View

PC Board

Dimensions = mm

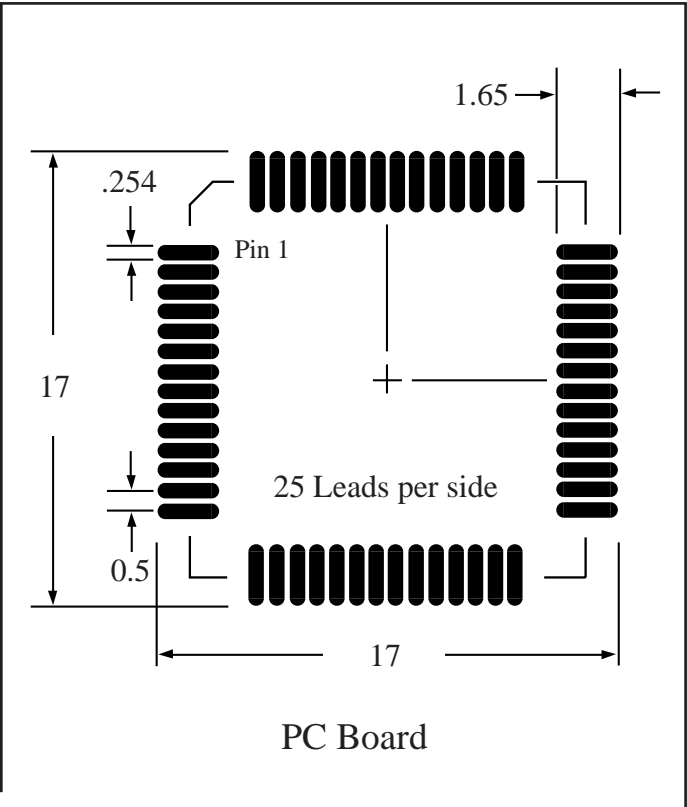
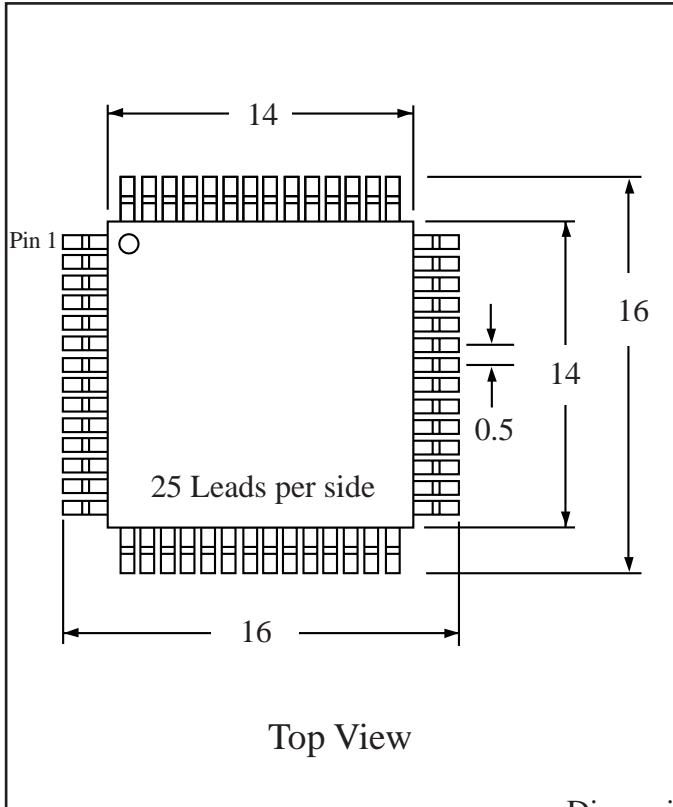


Quick View

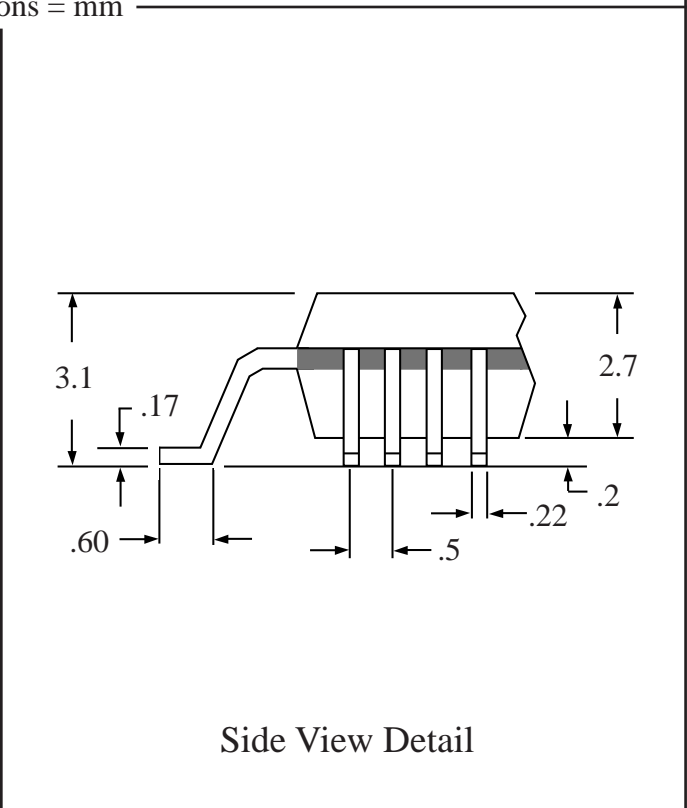
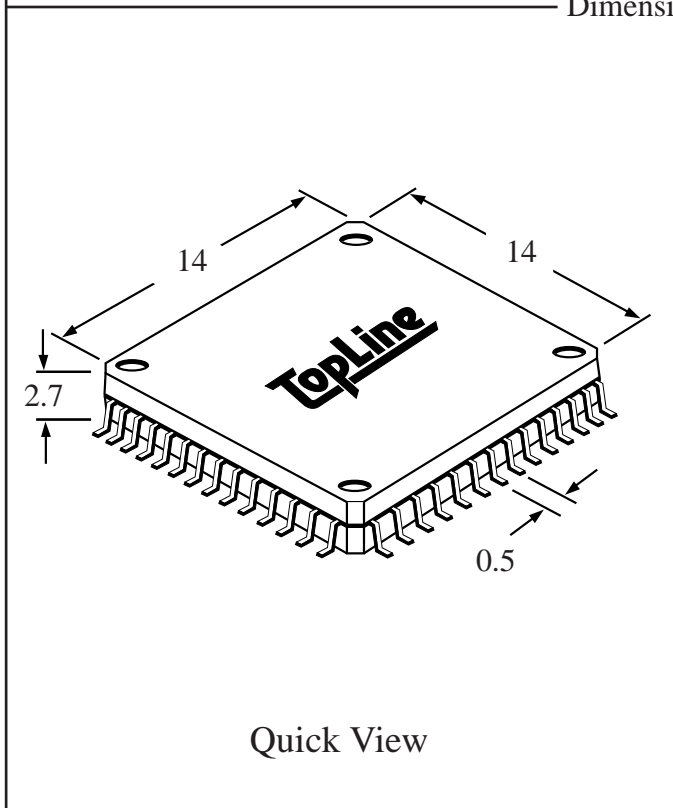
Side View Detail

Part # **SQFP100T19.7-2.0**
 Leads **100** Pitch **0.5mm**
 Body Size **14mmSQ**

TopLine™
 Tel 1-714-898-3830
 info@topline.tv



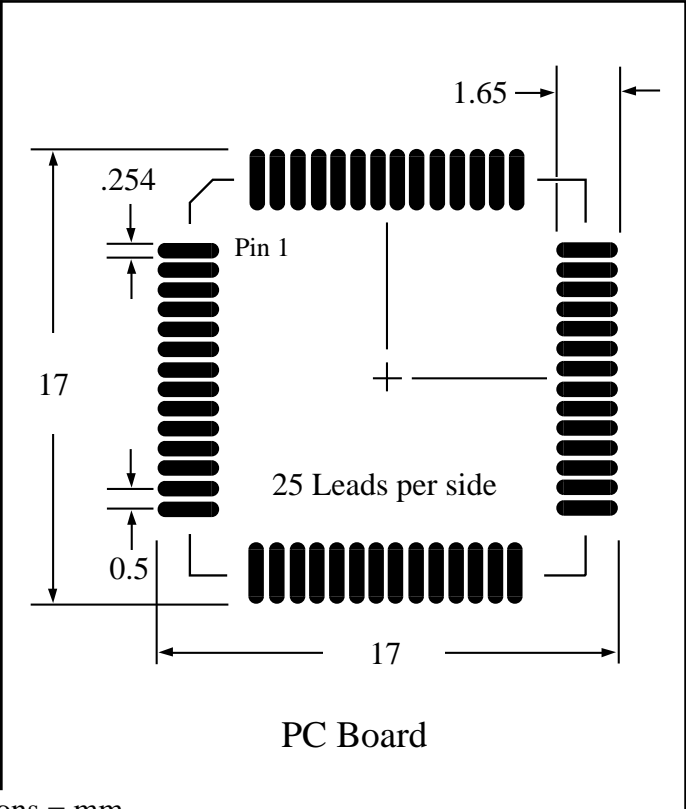
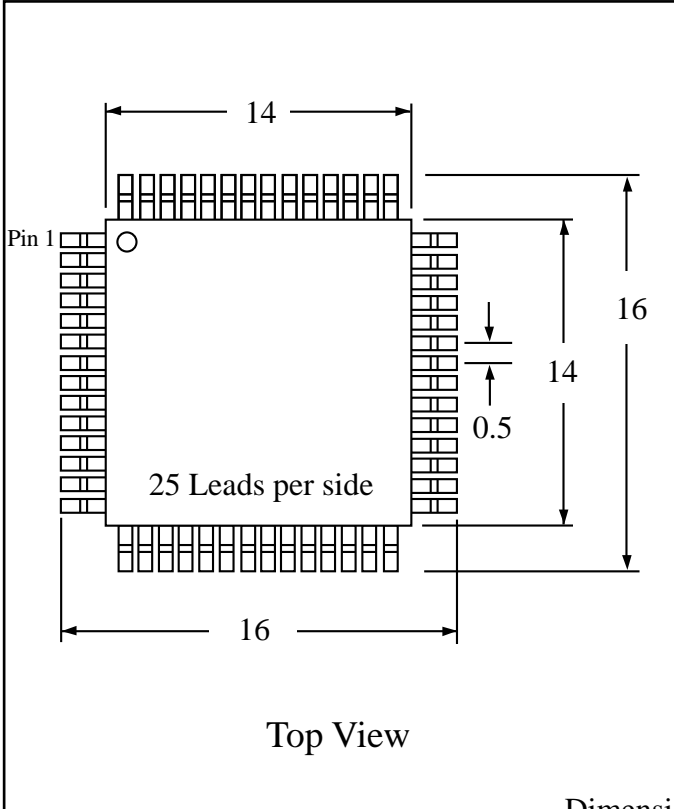
Dimensions = mm



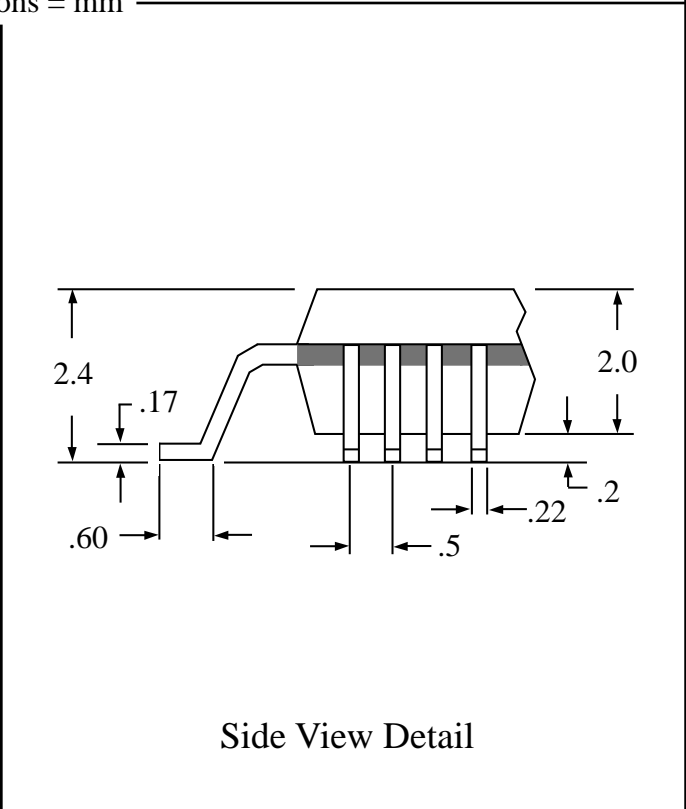
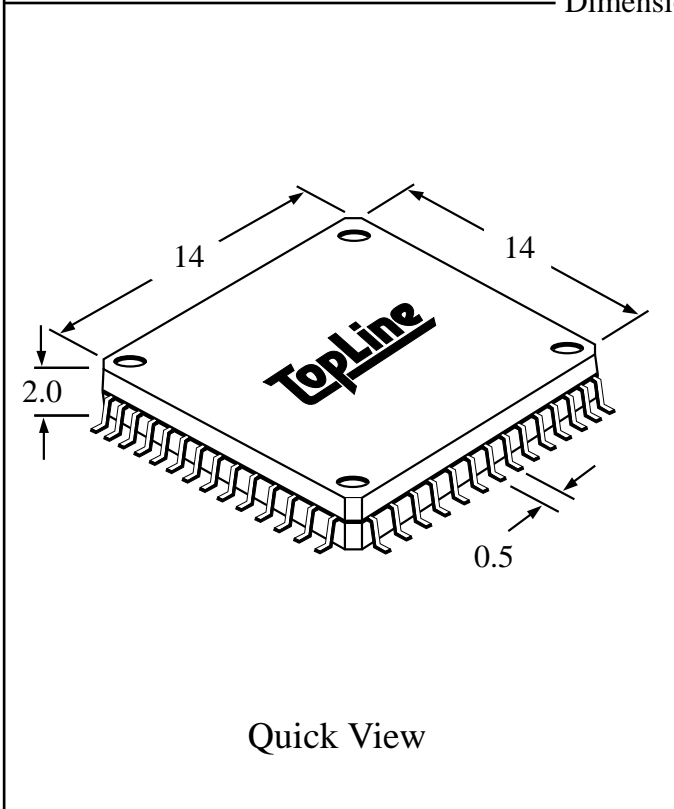
Part # **QFP100T19.7-2.0**
 Leads **100** Pitch **0.5mm**
 Body Size **14mmSQ**

TopLine™
 Tel 1-714-898-3830
 info@toplinedummy.com

Dwg Q100P520.pdf



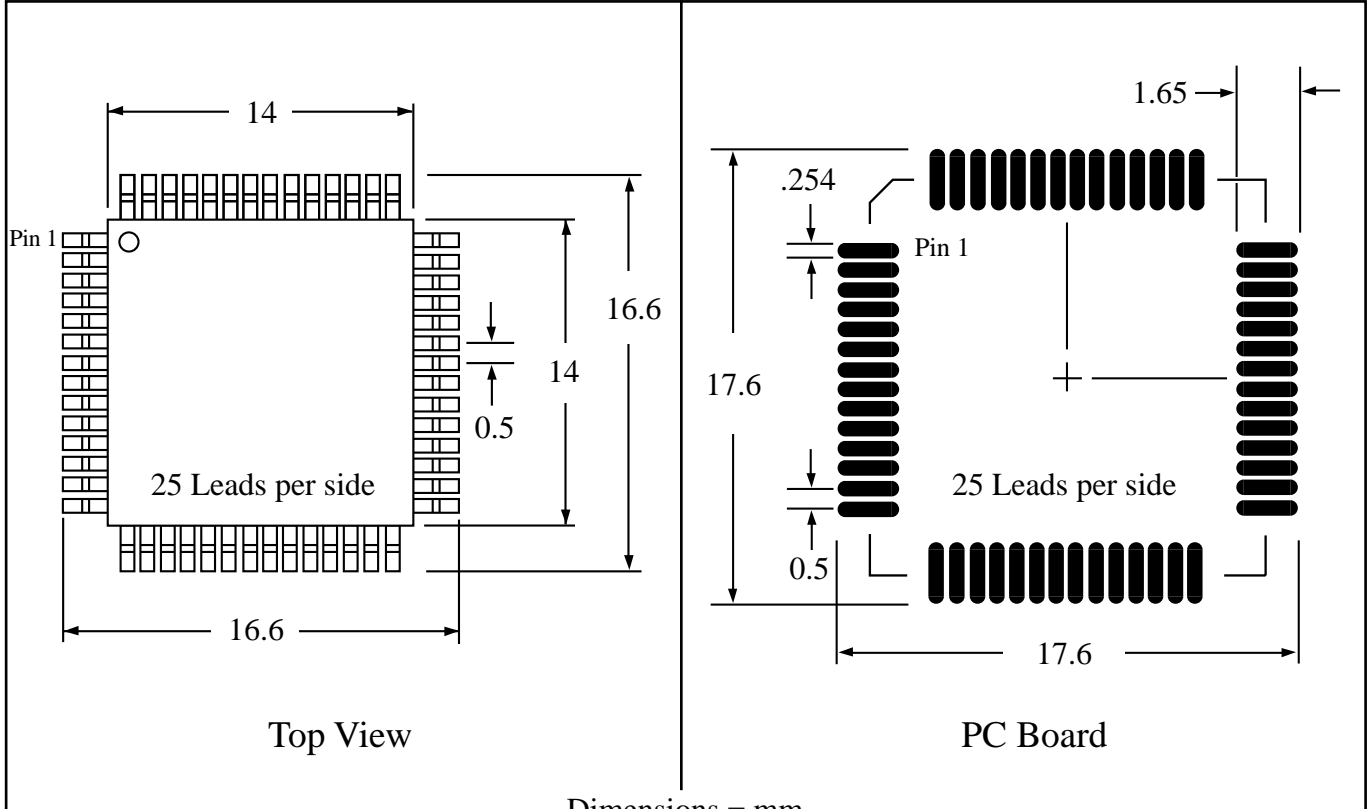
Dimensions = mm



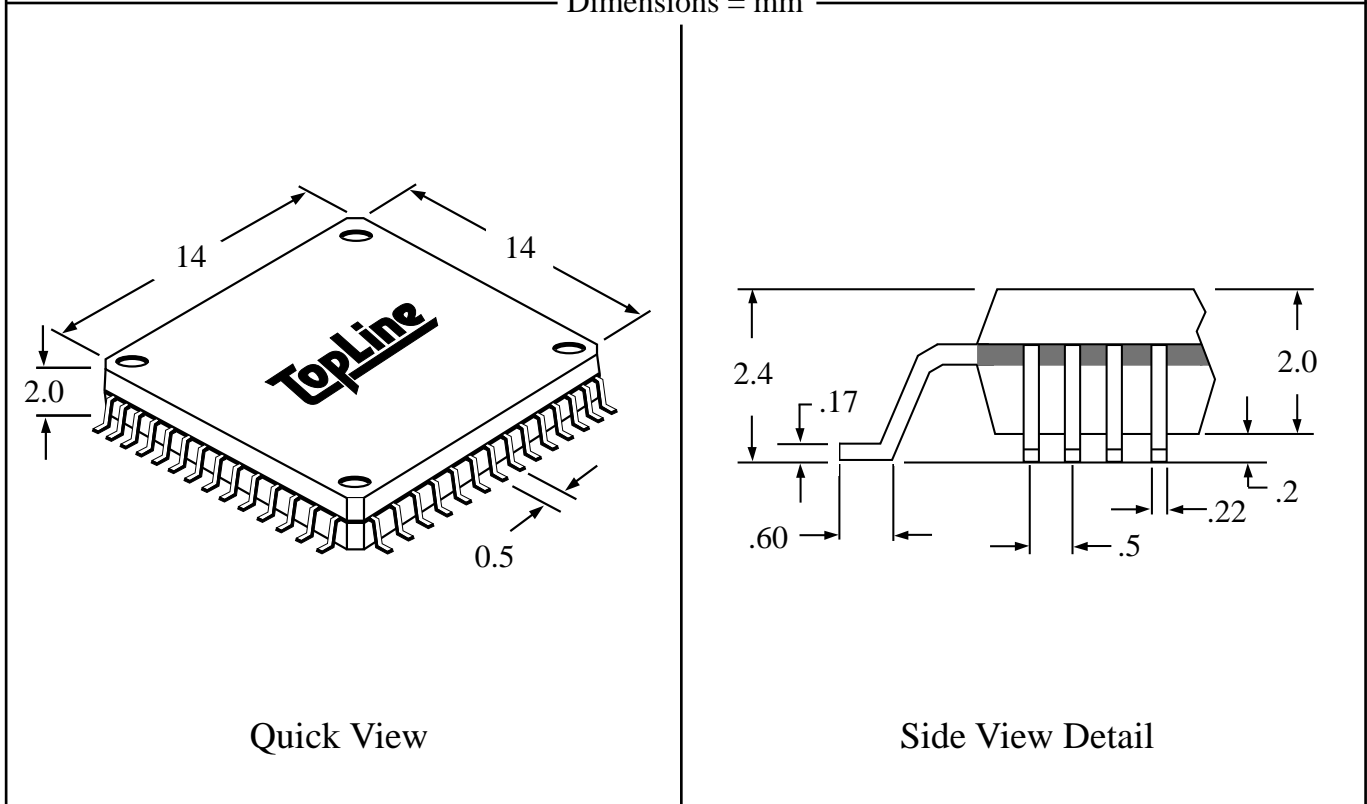
Part # **QFP100T19.7-2.6**
 Leads **100** Pitch **0.5mm**
 Body Size **14mmSQ**

TopLine™
 Tel 1-714-898-3830
 info@toplinedummy.com

Dwg Q100P526.pdf



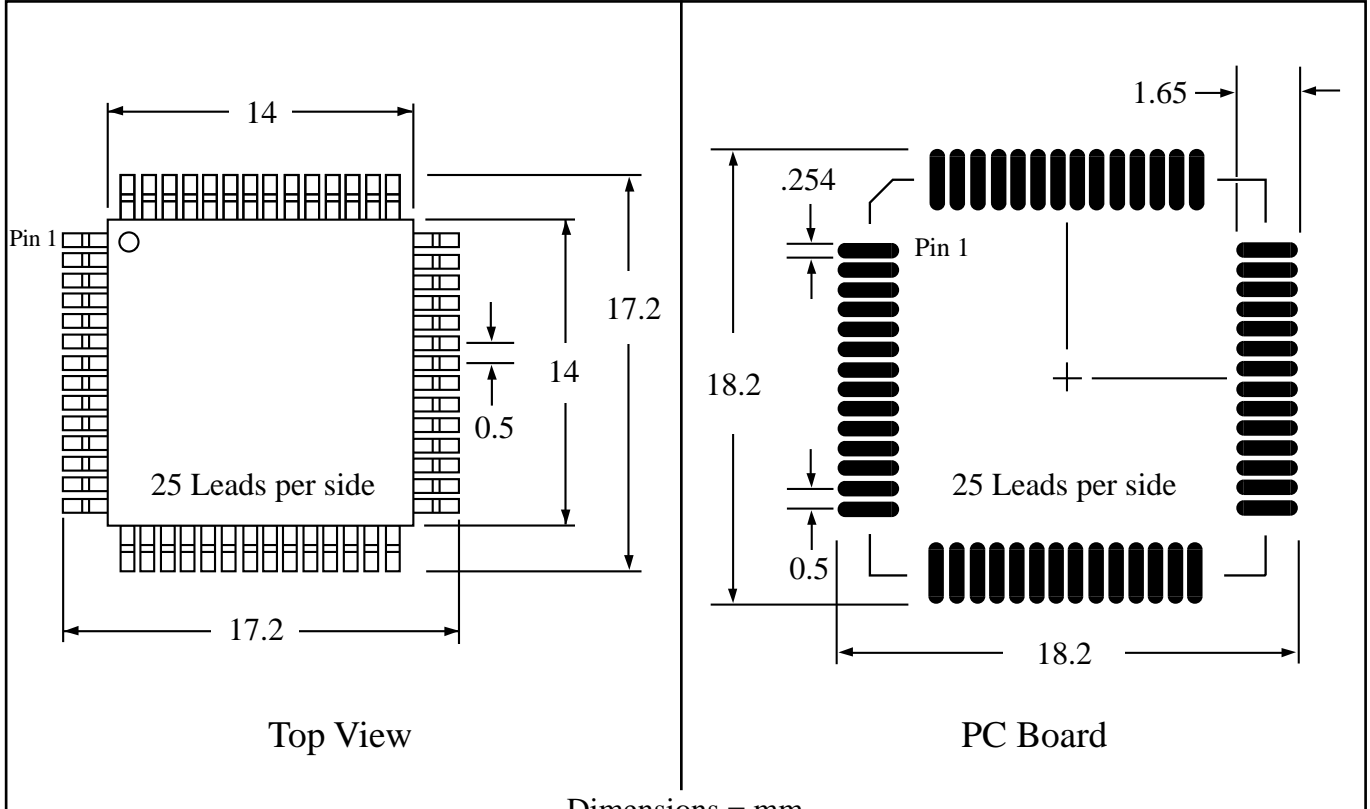
Dimensions = mm



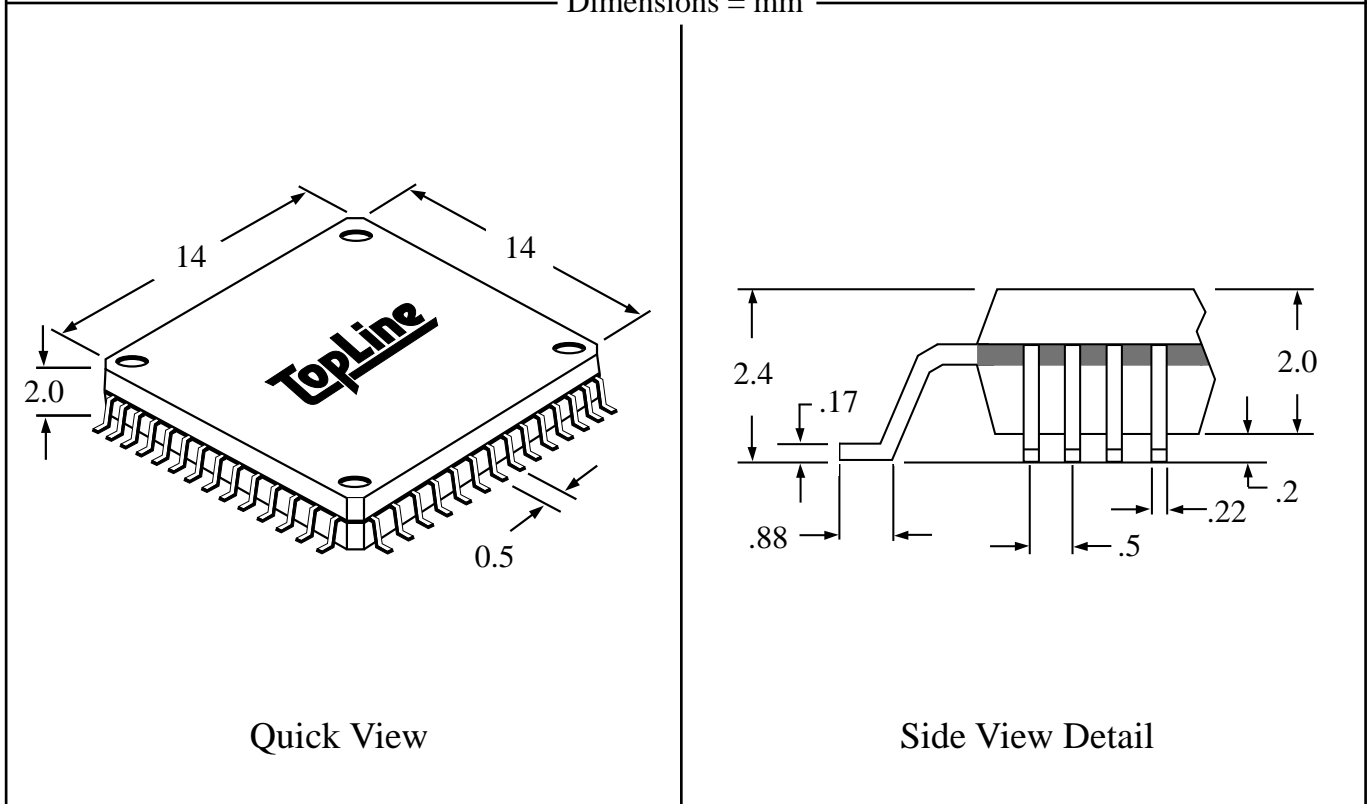
Part # **QFP100T19.7-3.2-2.0H**
 Leads **100** Pitch **0.5mm**
 Body Size **14mmSQ**

TopLineTM
 Tel 1-714-898-3830
 info@toplinedummy.com

Dwg Q100P532.pdf



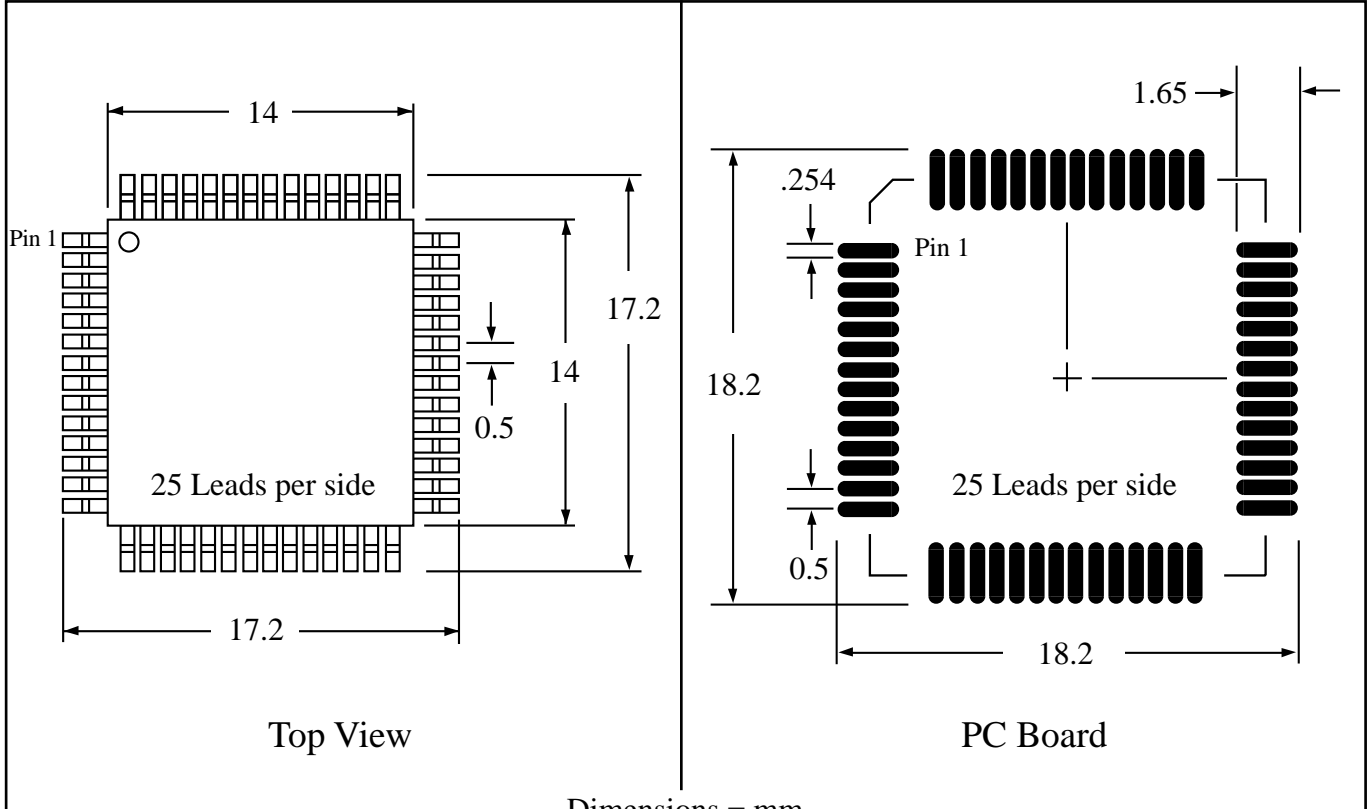
Dimensions = mm



Part # **QFP100T19.7-3.2-2.7H**
 Leads **100** Pitch **0.5mm**
 Body Size **14mmSQ**

TopLineTM
 Tel 1-714-898-3830
 info@toplinedummy.com

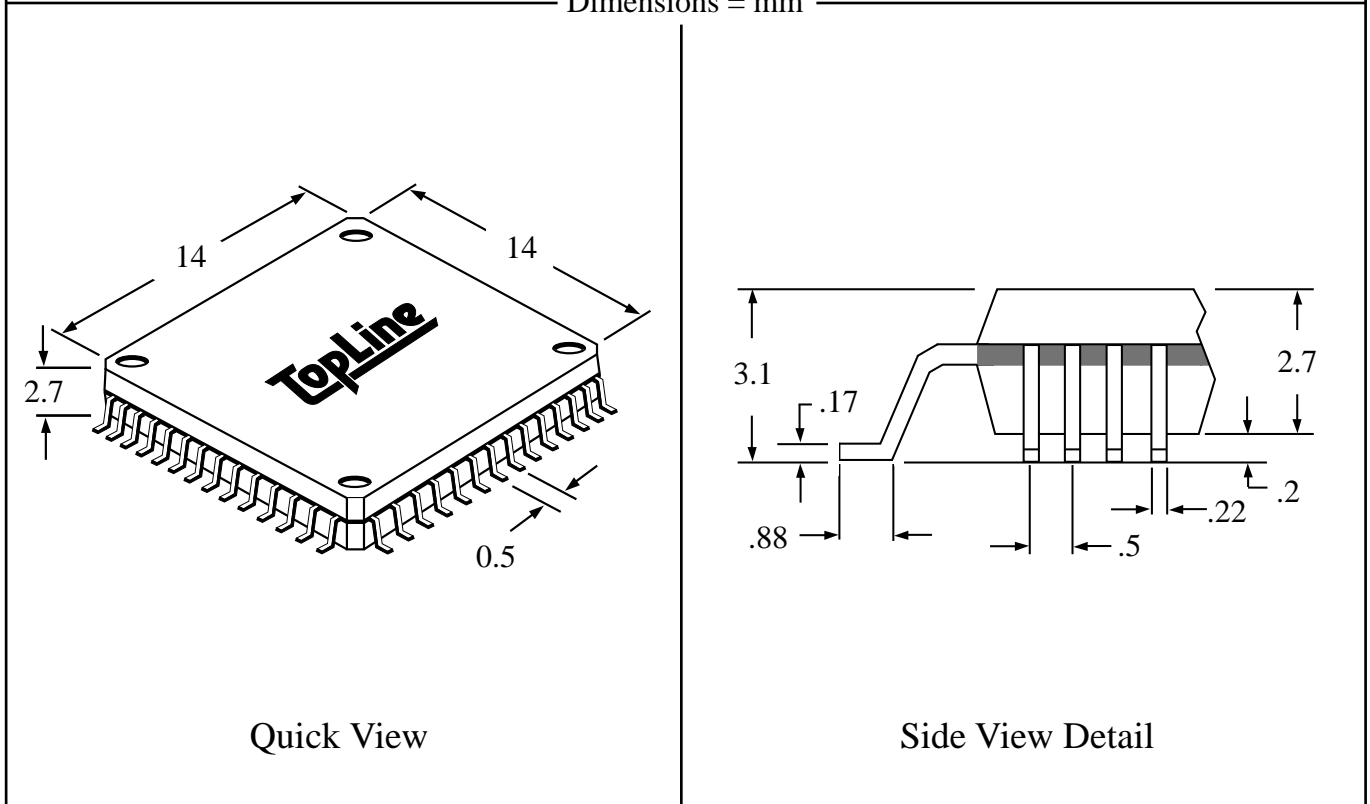
Dwg Q100P53H.pdf



Top View

PC Board

Dimensions = mm



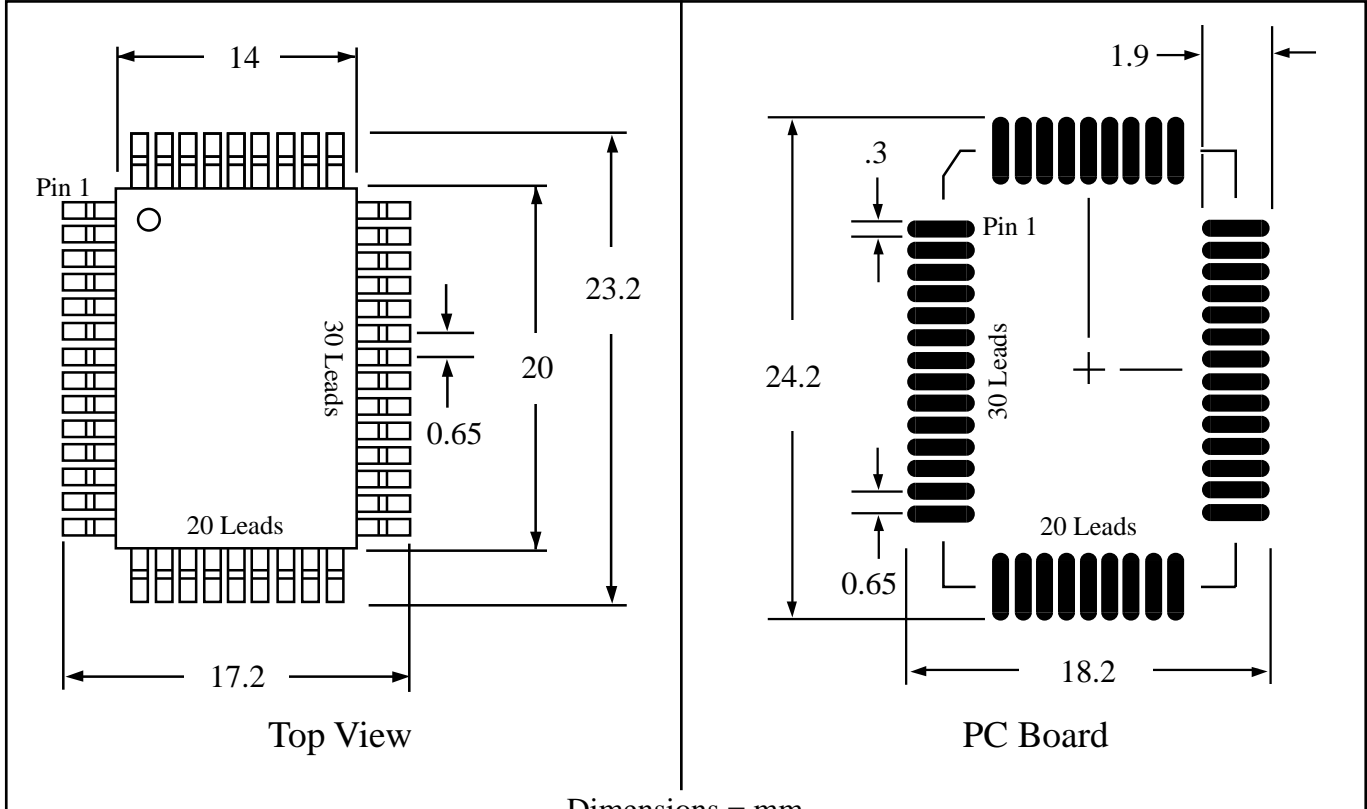
Quick View

Side View Detail

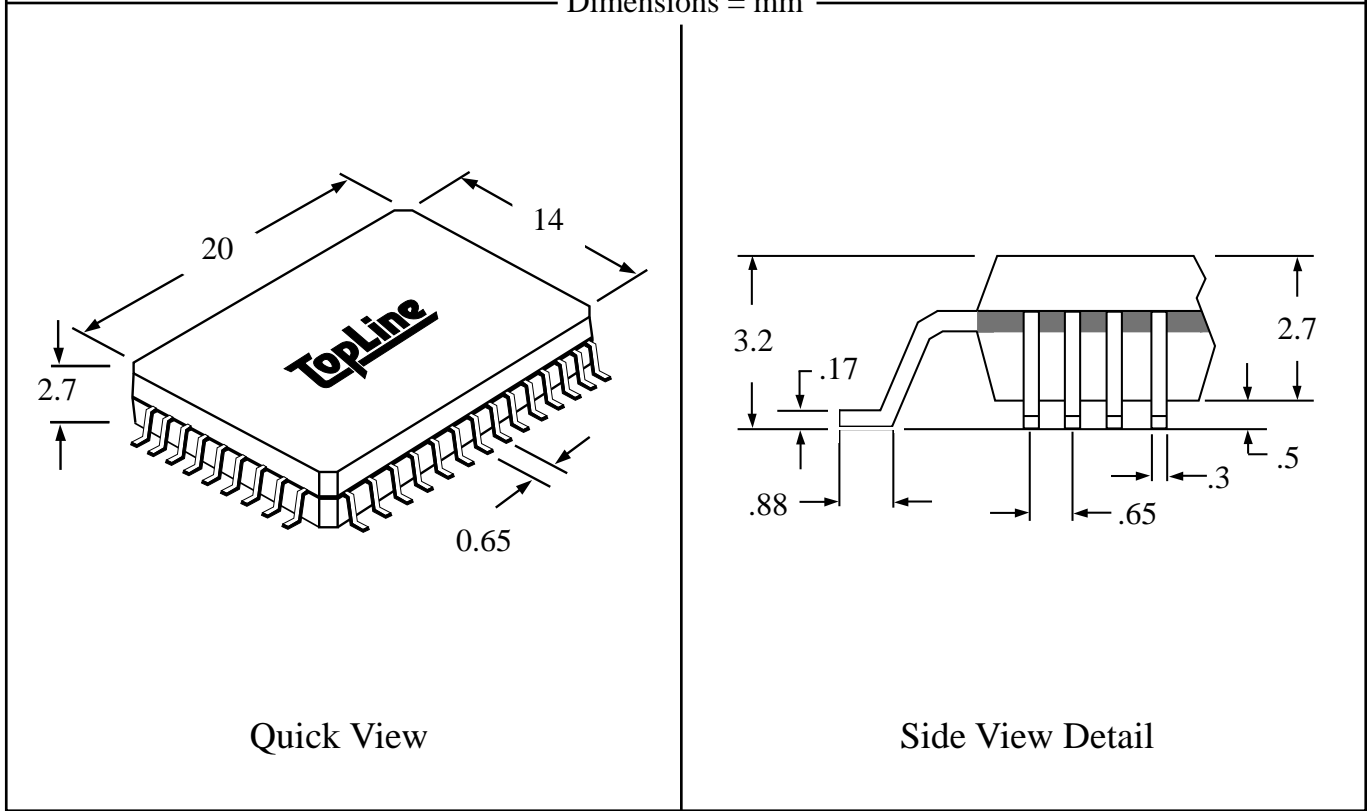
Part # **QFP100T25-3.2**
 Leads **100** Pitch **0.65mm**
 Body Size **14mm x 20mm**

TopLine™
 Tel 1-714-898-3830
 info@toplinedummy.com

Dwg Q100P632.pdf



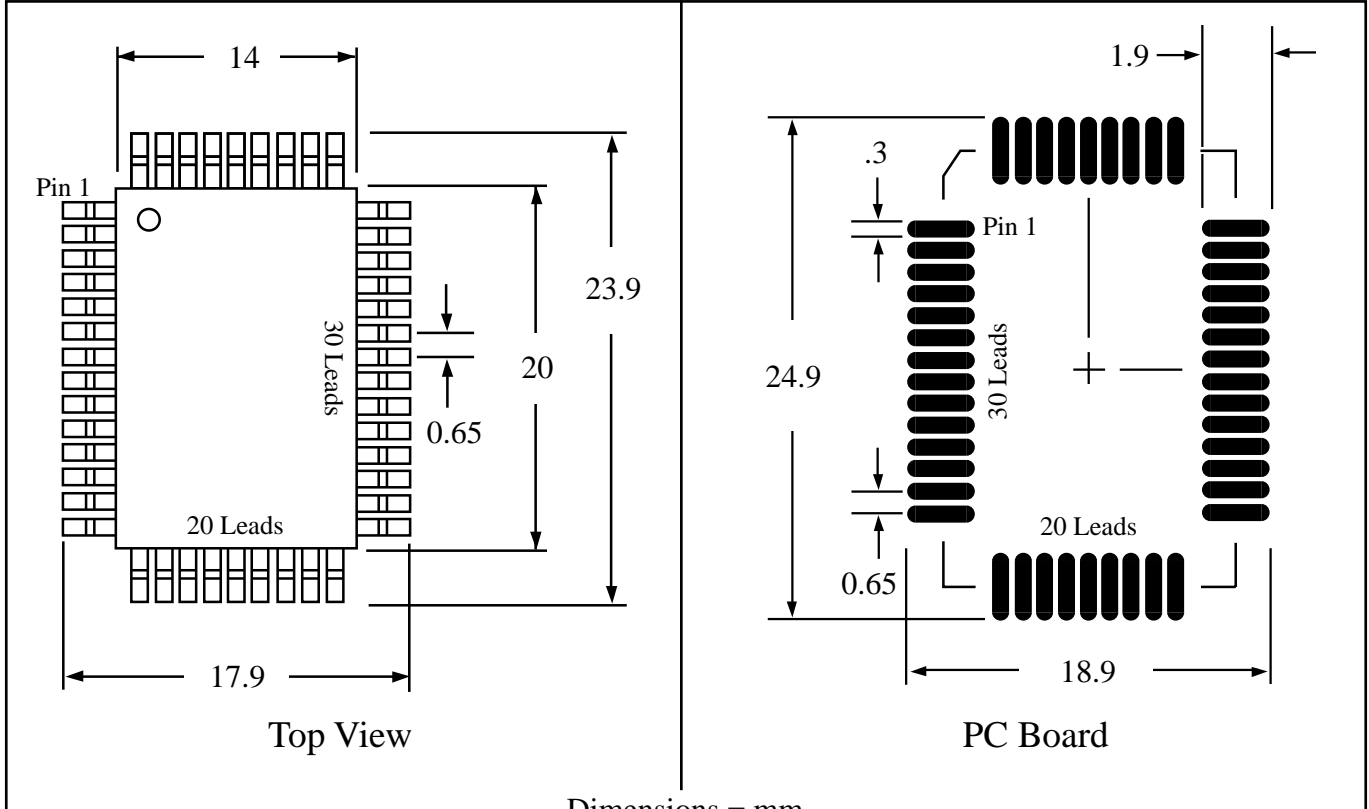
Dimensions = mm



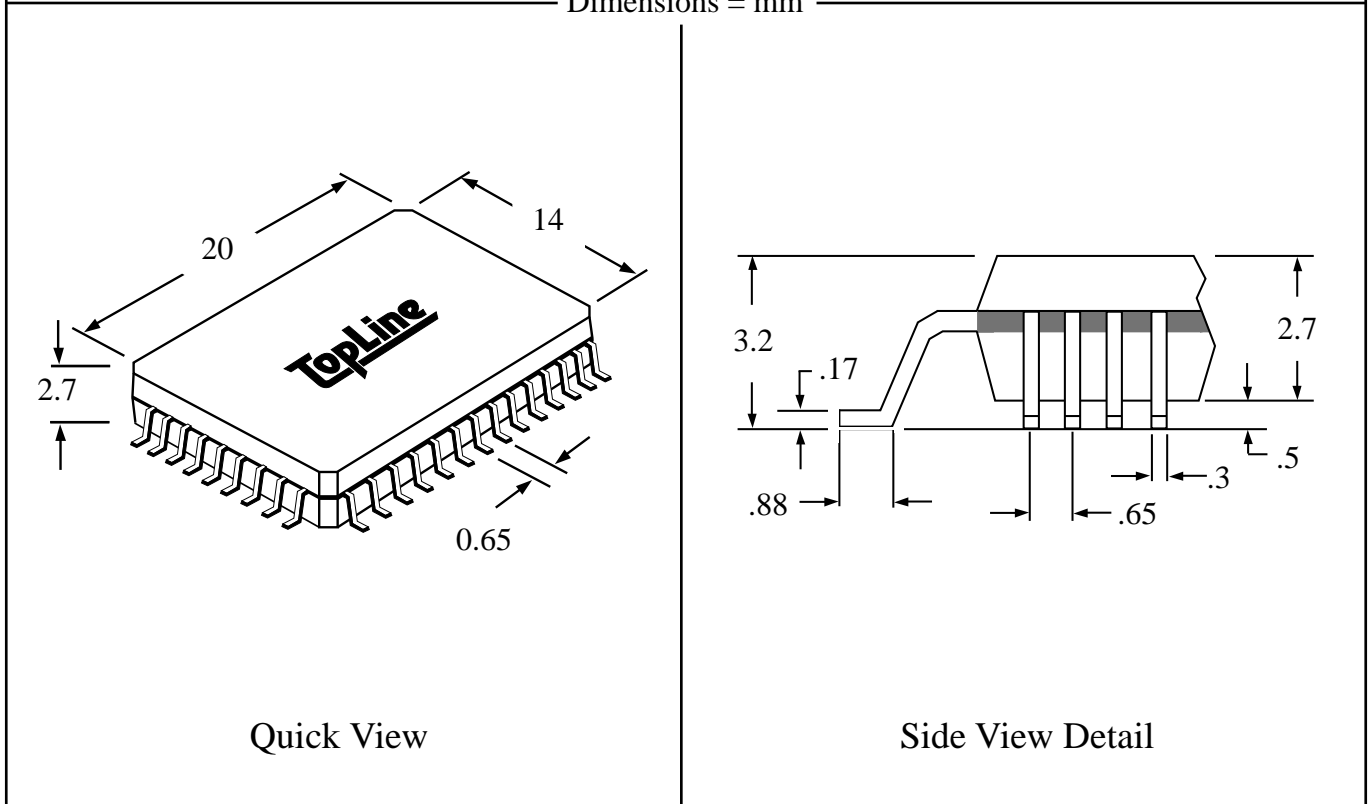
Part # **QFP100T25-3.9**
 Leads **100** Pitch **0.65mm**
 Body Size **14mm x 20mm**

TopLine™
 Tel 1-714-898-3830
 info@toplinedummy.com

Dwg Q100P639.pdf

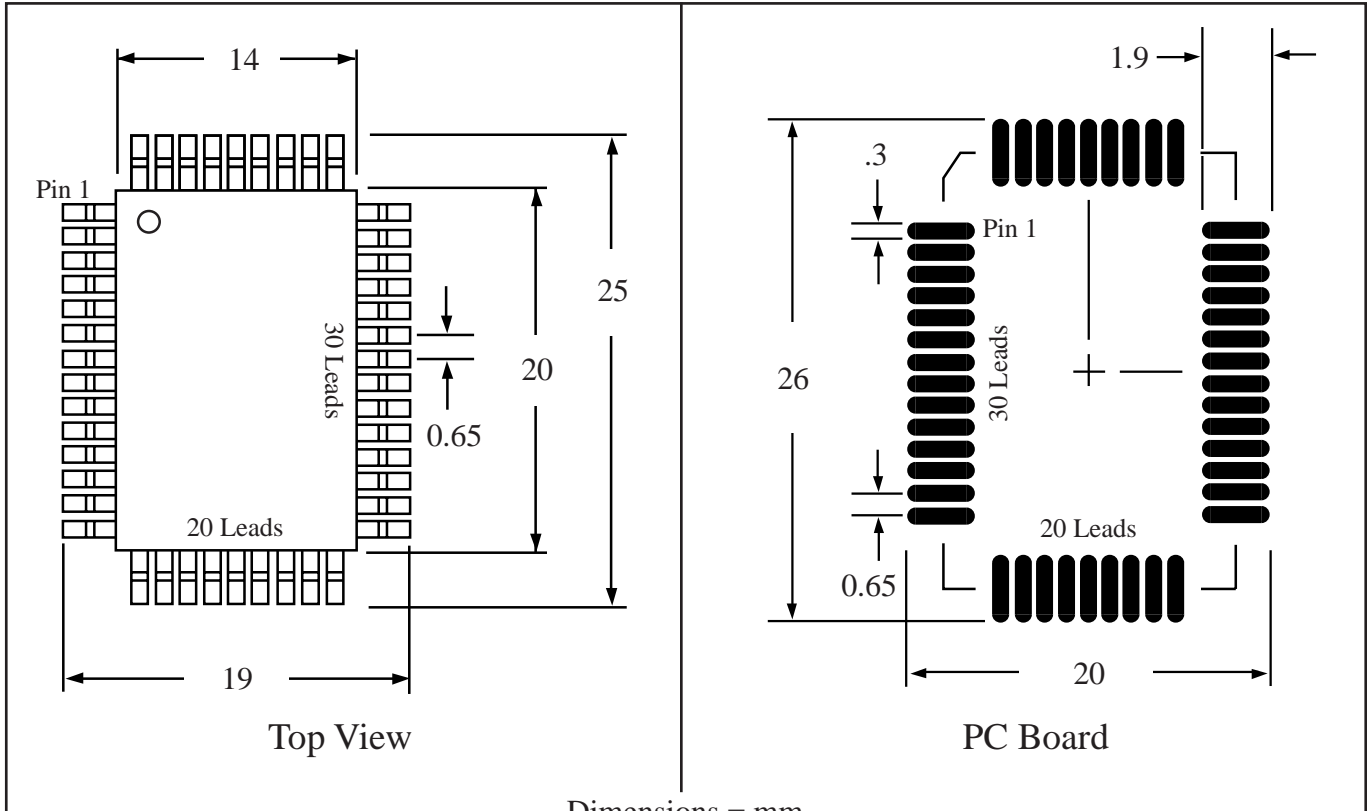


Dimensions = mm

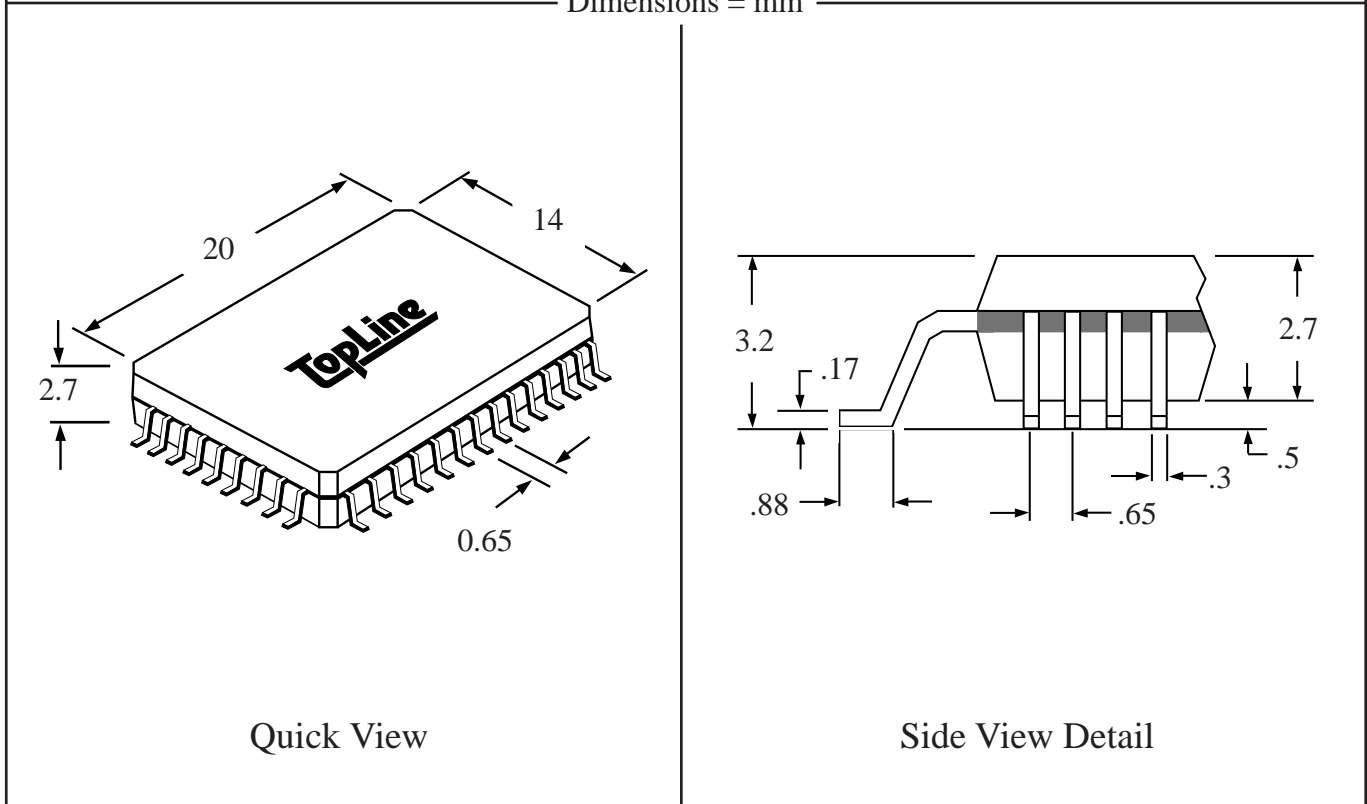


Part # **QFP100T25-5.0**
 Leads **100** Pitch **0.65mm**
 Body Size **14mm x 20mm**

TopLine™
 Tel 1-714-898-3830
 info@topline.tv



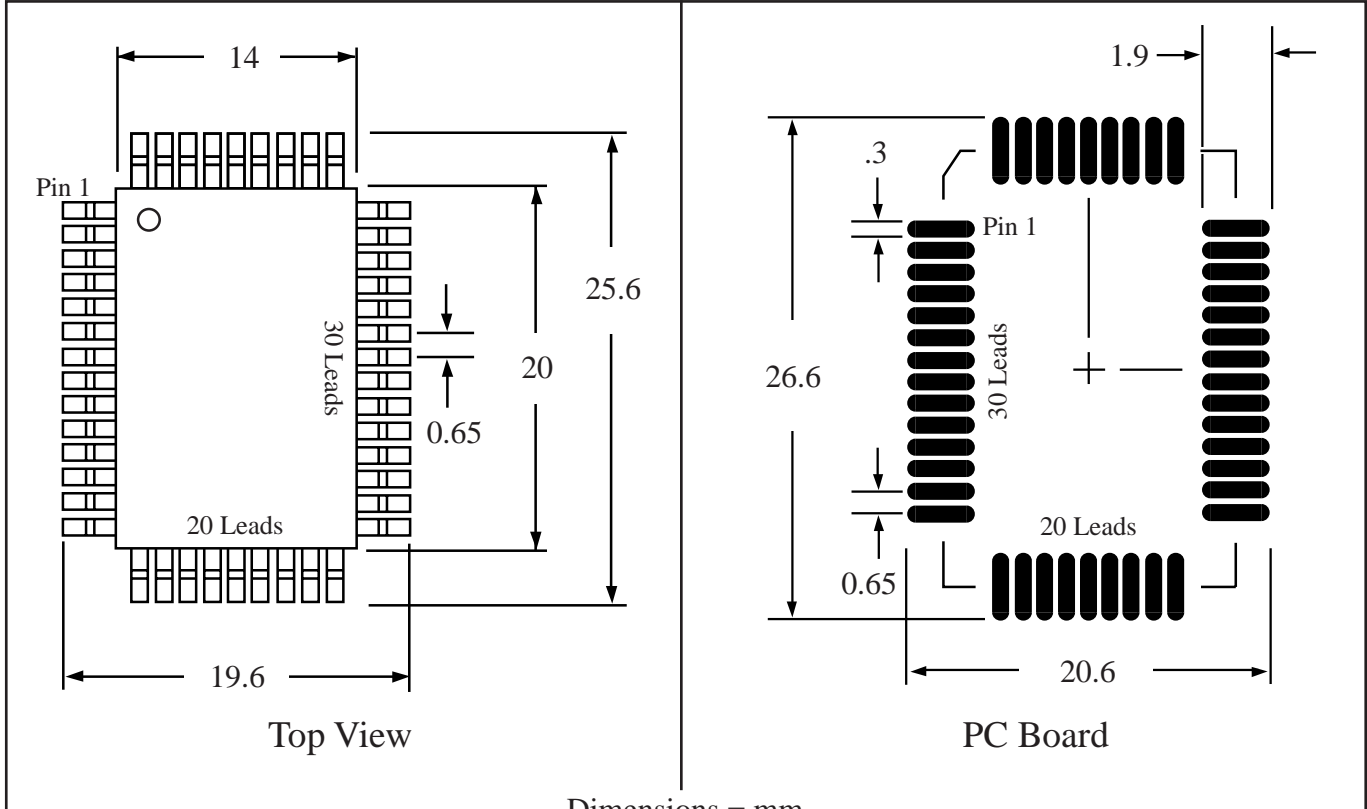
Dimensions = mm



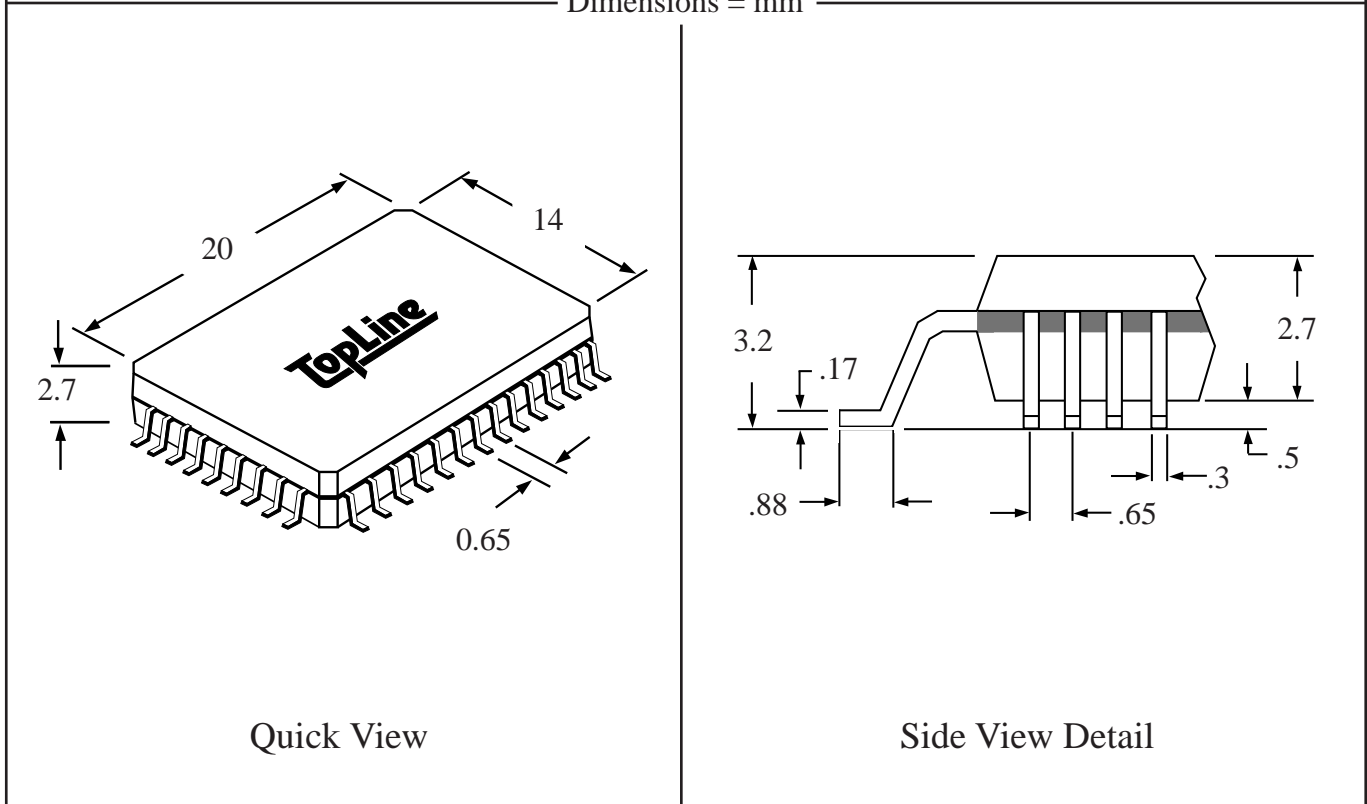
Part # **QFP100T25-5.6**
 Leads **100** Pitch **0.65mm**
 Body Size **14mm x 20mm**



Tel 1-714-898-3830
 info@topline.tv



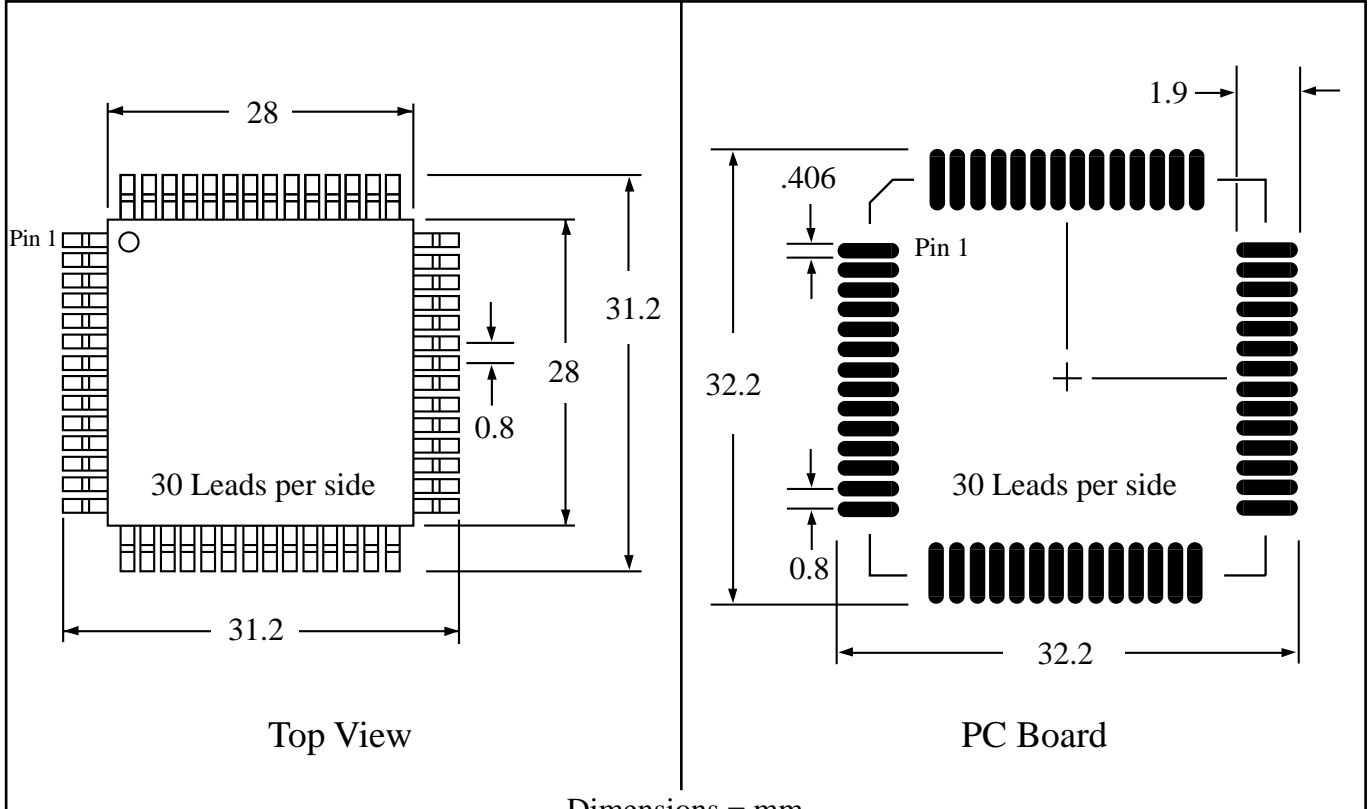
Dimensions = mm



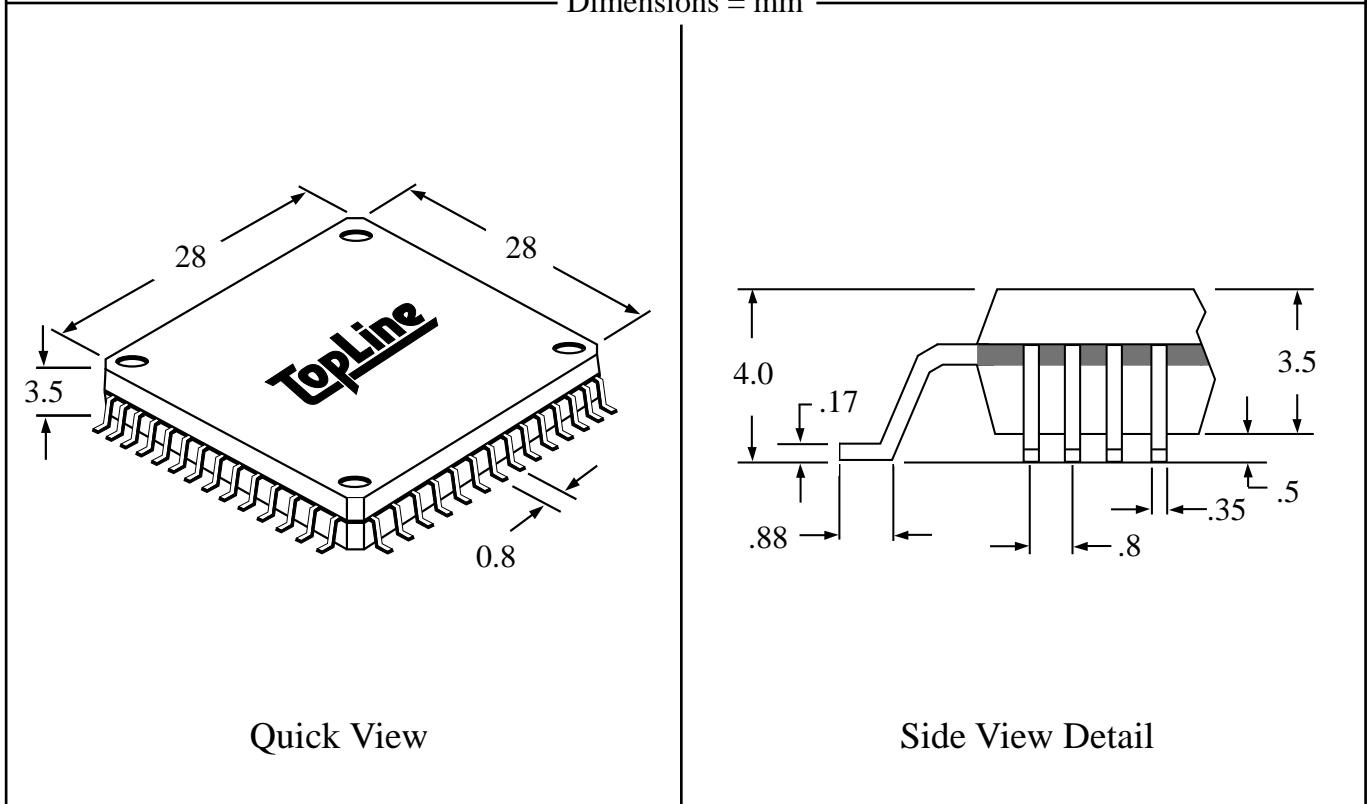
Part # **QFP120T30-3.2**
 Leads **120** Pitch **0.8mm**
 Body Size **28mmSQ**

TopLine™
 Tel 1-714-898-3830
 info@toplinedummy.com

Dwg Q120P832.pdf



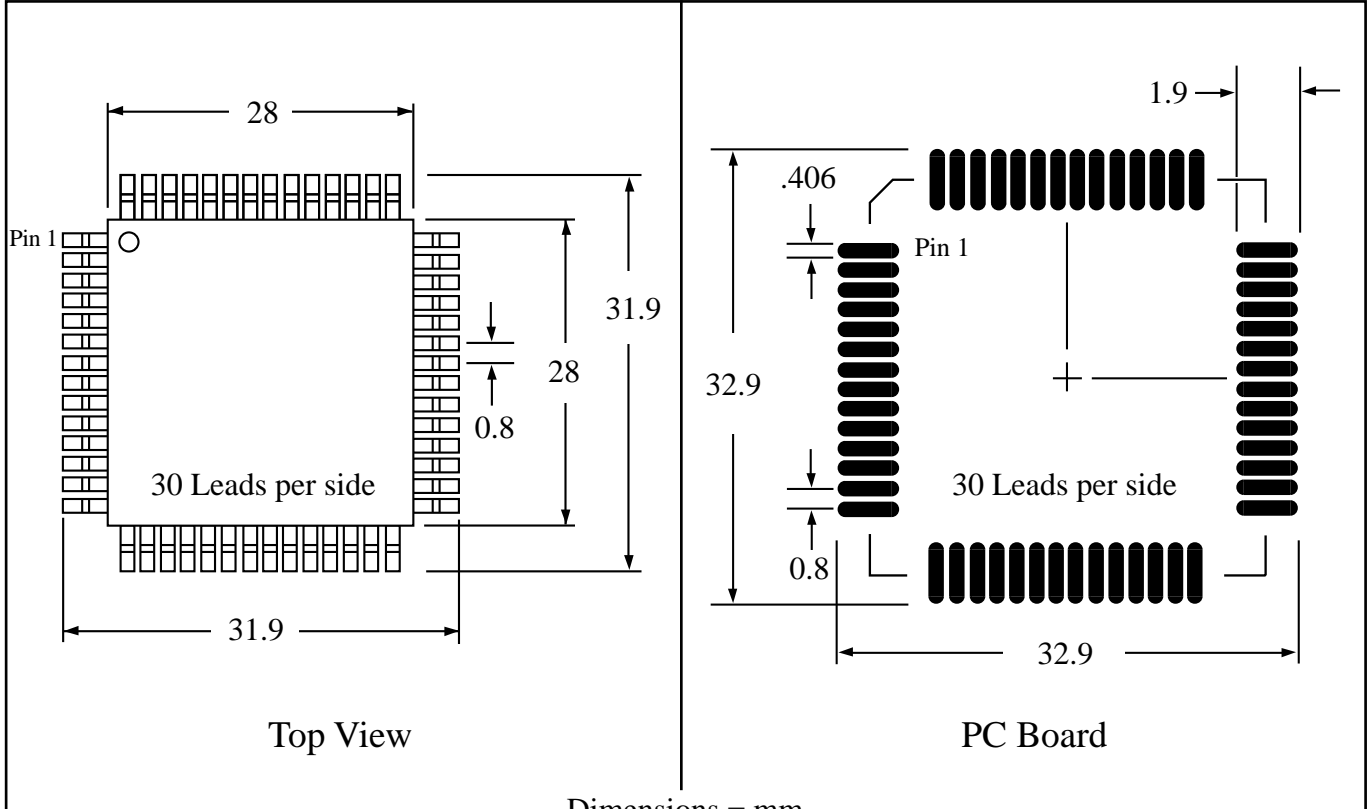
Dimensions = mm



Part # **QFP120T30-3.9**
 Leads **120** Pitch **0.8mm**
 Body Size **28mmSQ**

TopLine™
 Tel 1-714-898-3830
 info@toplinedummy.com

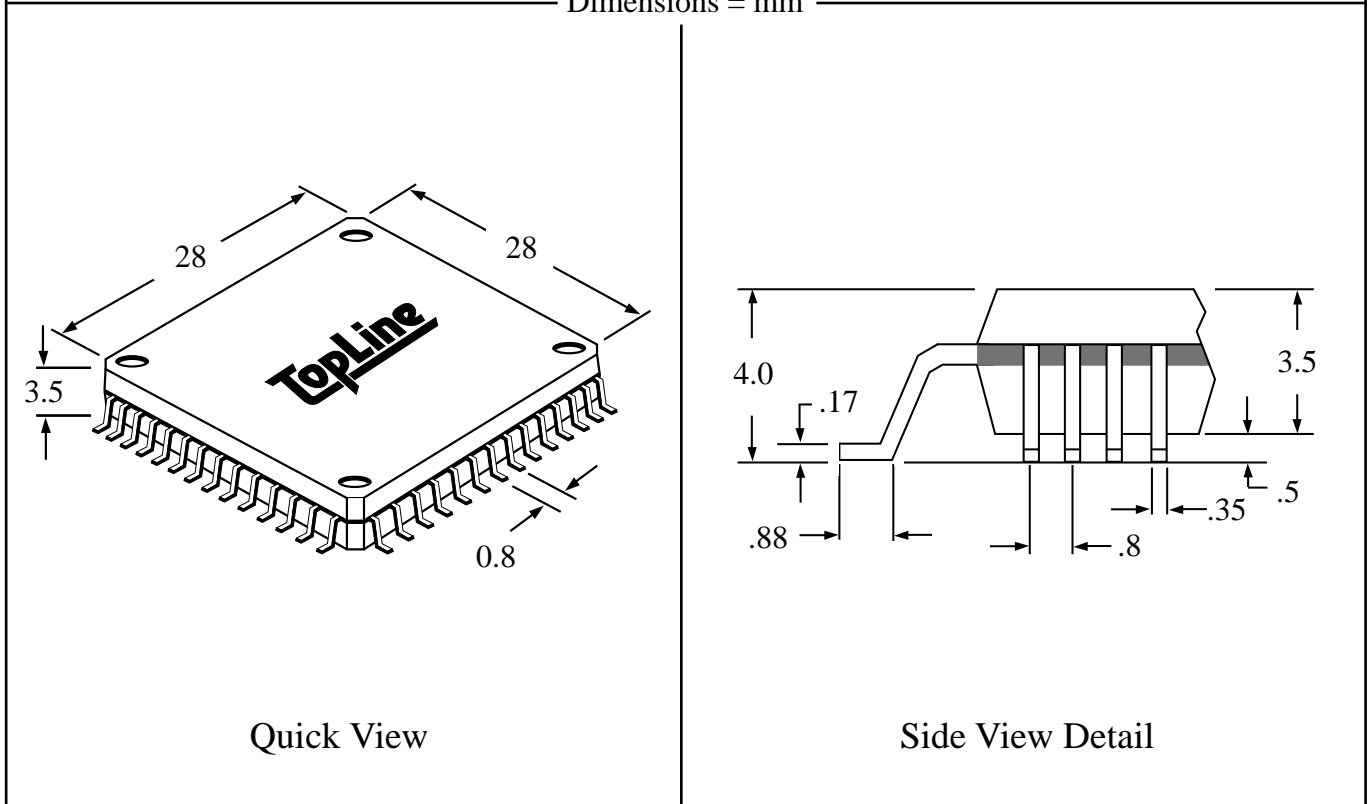
Dwg Q120P839.pdf



Top View

PC Board

Dimensions = mm



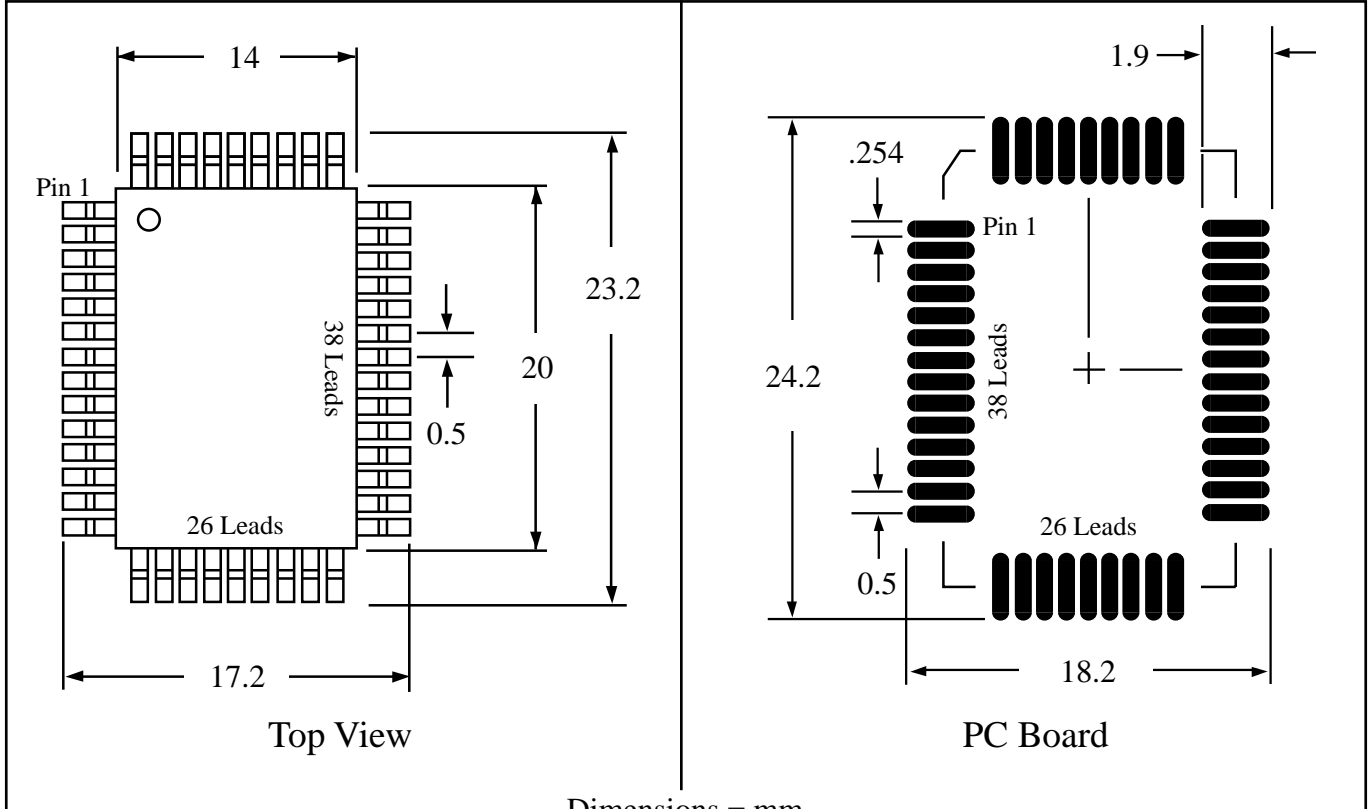
Quick View

Side View Detail

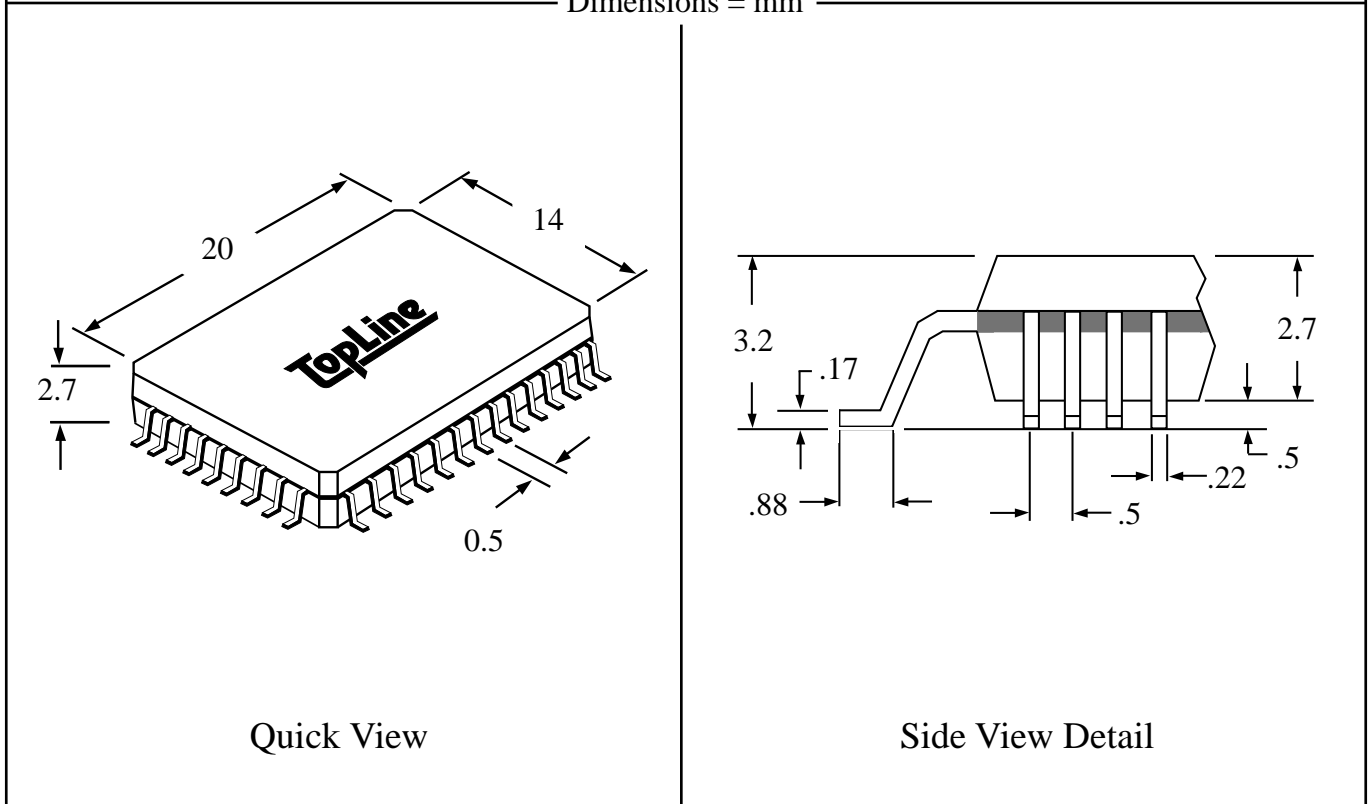
Part # **QFP128T19.7-3.2**
 Leads **128** Pitch **0.5mm**
 Body Size **14mm x 20mm**

TopLine™
 Tel 1-714-898-3830
 info@toplinedummy.com

Dwg Q128P532.pdf



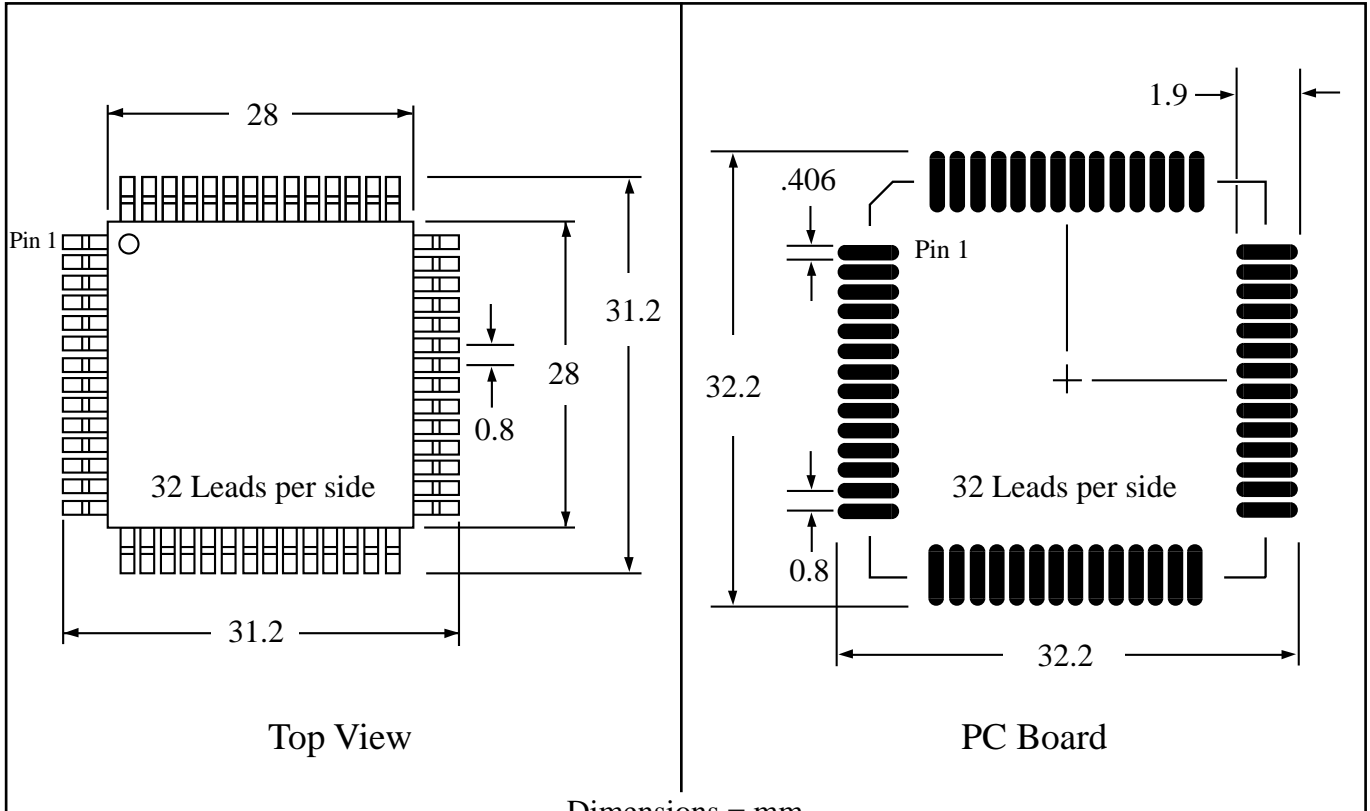
Dimensions = mm



Part # **QFP128T30-3.2**
 Leads **128** Pitch **0.8mm**
 Body Size **28mmSQ**

TopLineTM
 Tel 1-714-898-3830
 info@toplinedummy.com

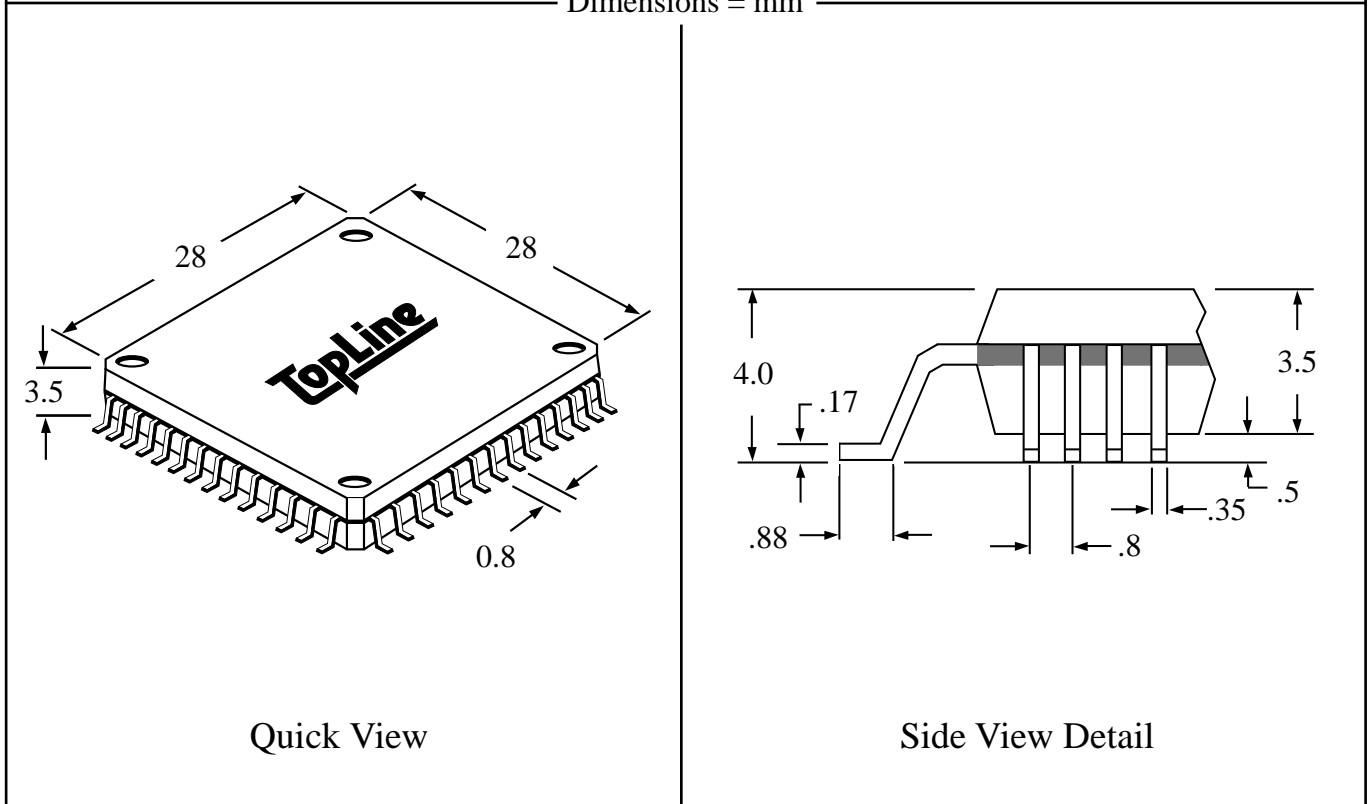
Dwg Q128P832.pdf



Top View

PC Board

Dimensions = mm



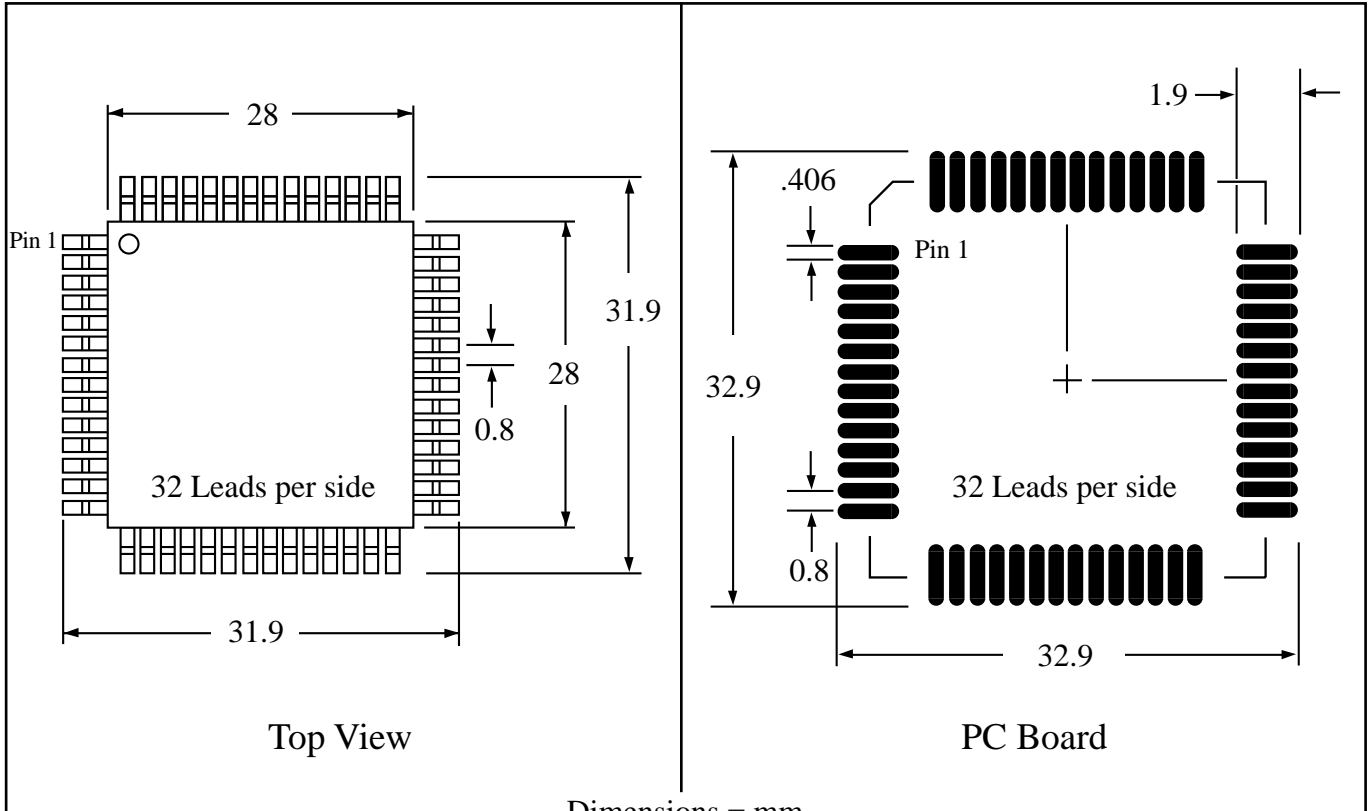
Quick View

Side View Detail

Part # **QFP128T30-3.9**
 Leads **128** Pitch **0.8mm**
 Body Size **28mmSQ**

TopLine™
 Tel 1-714-898-3830
 info@toplinedummy.com

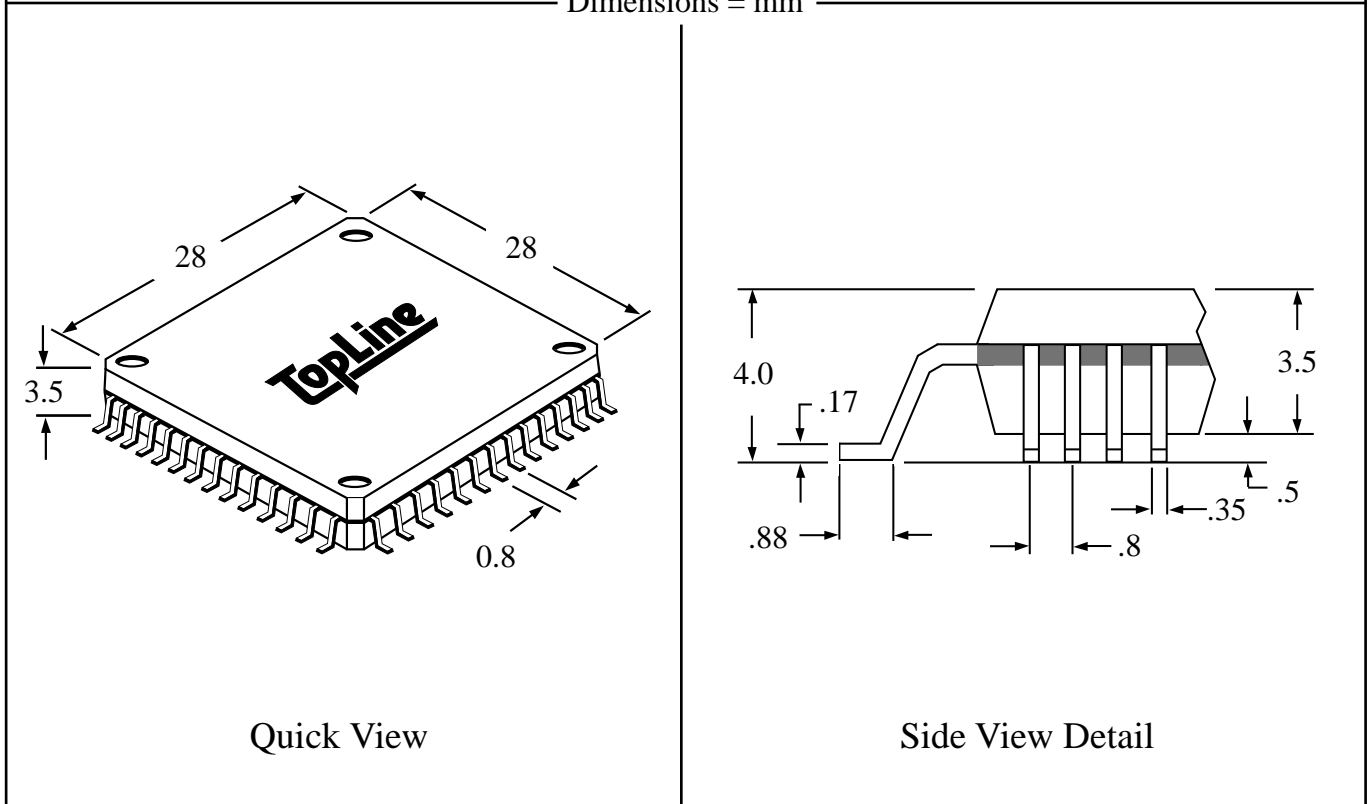
Dwg Q128P839.pdf



Top View

PC Board

Dimensions = mm

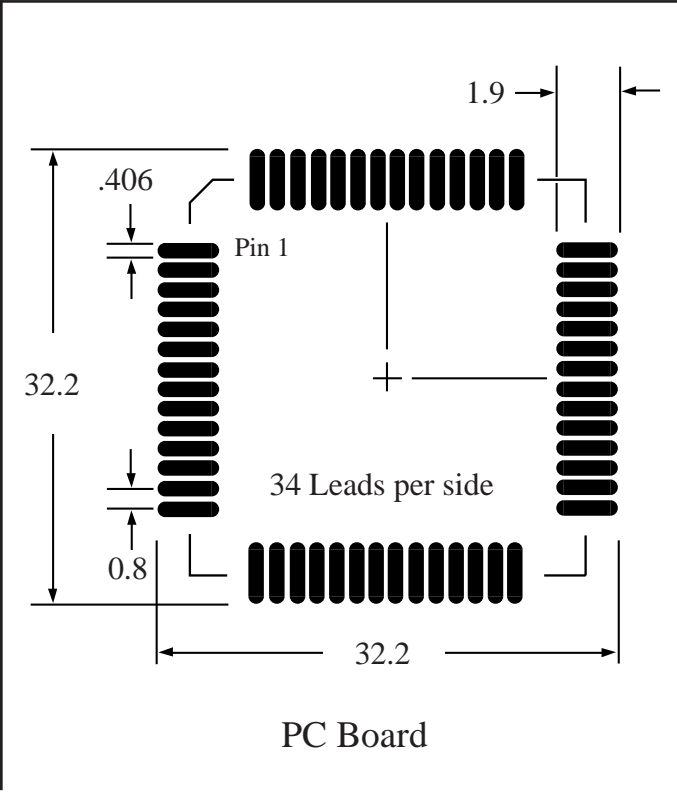
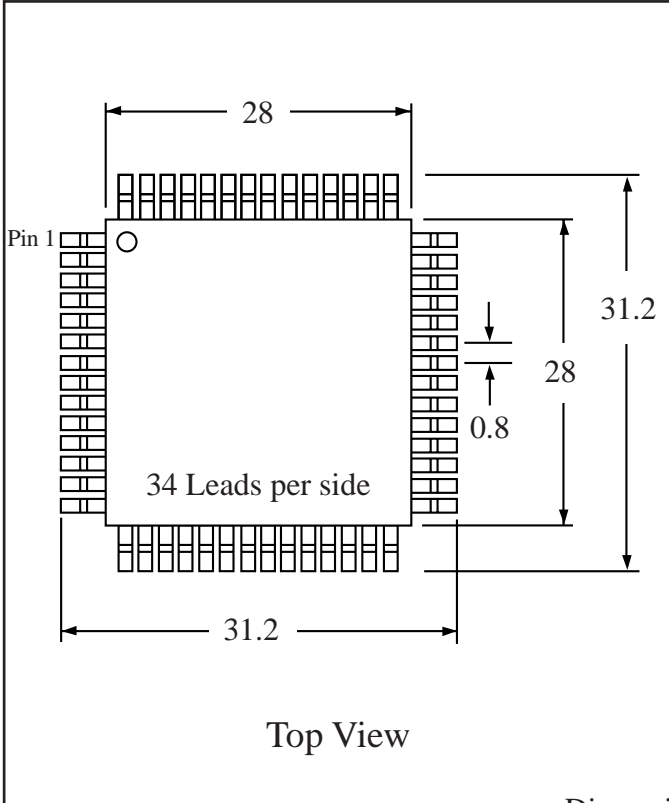


Quick View

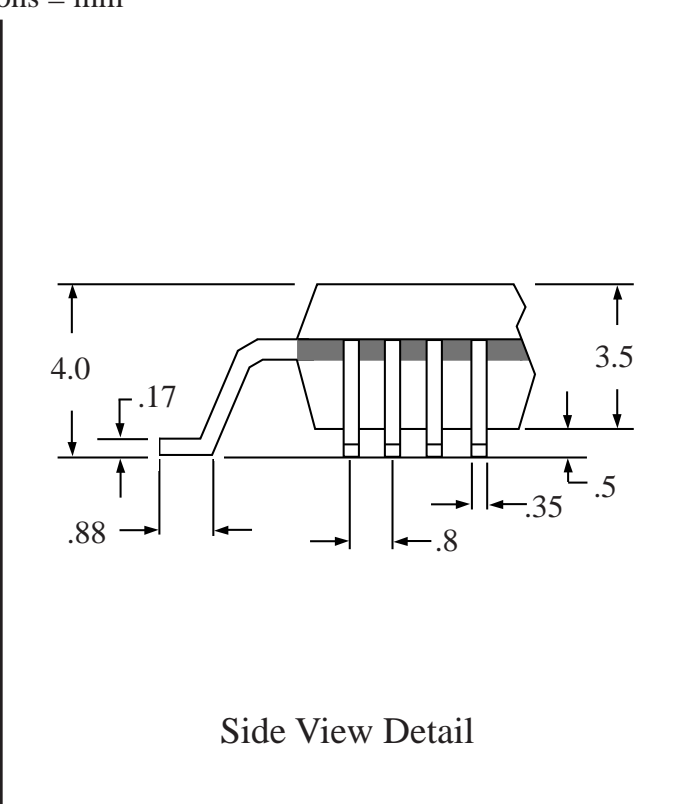
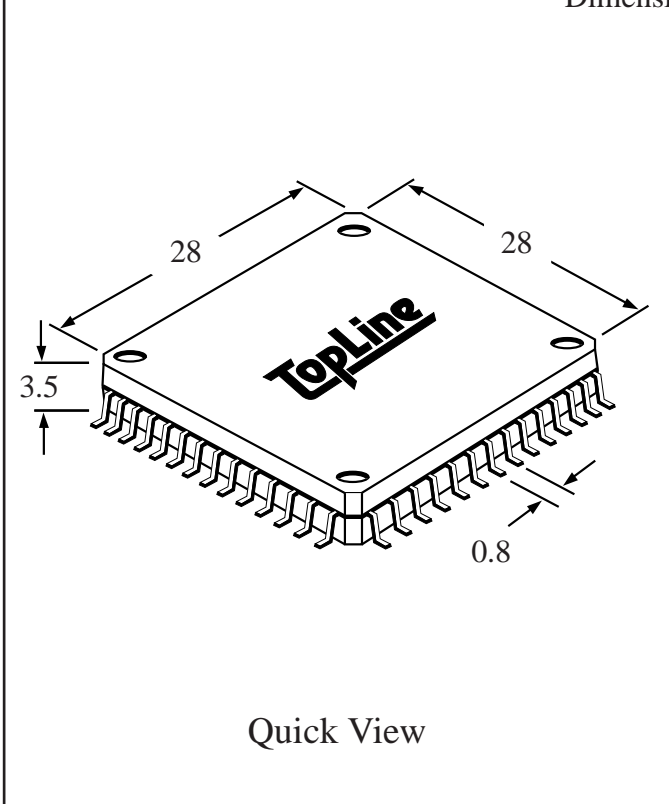
Side View Detail

Part # **QFP136T30-3.2**
 Leads **136** Pitch **0.8mm**
 Body Size **28mmSQ**

TopLine™
 Tel 1-714-898-3830
 info@topline.tv

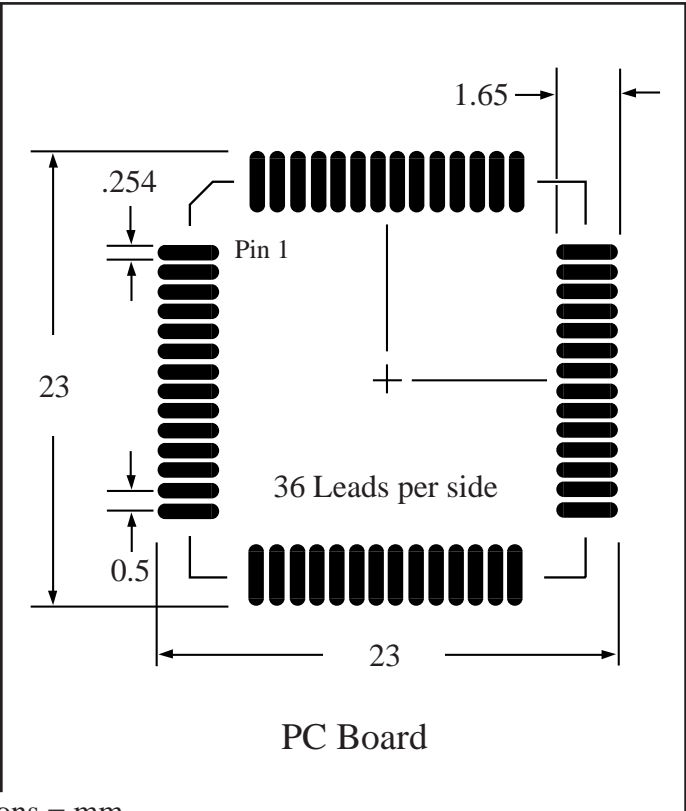
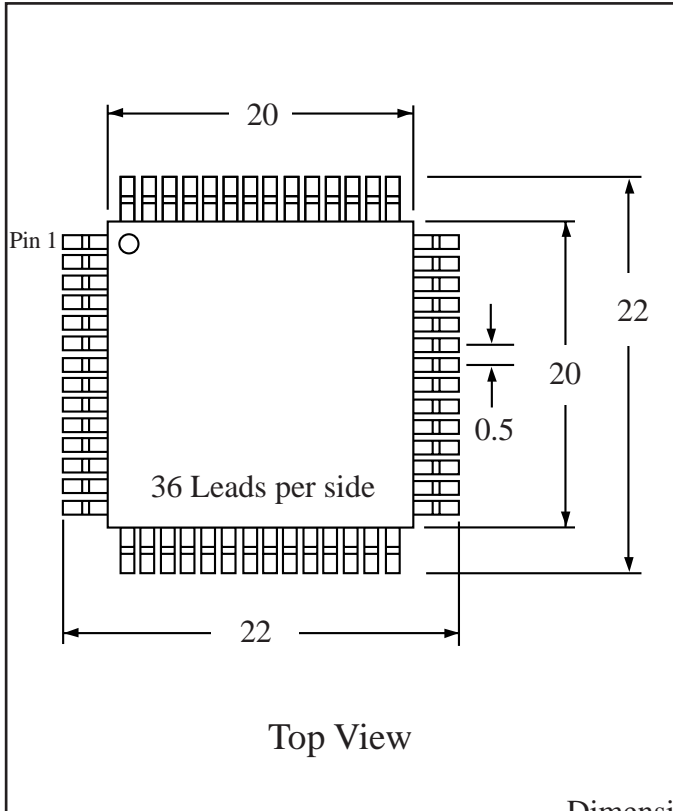


Dimensions = mm

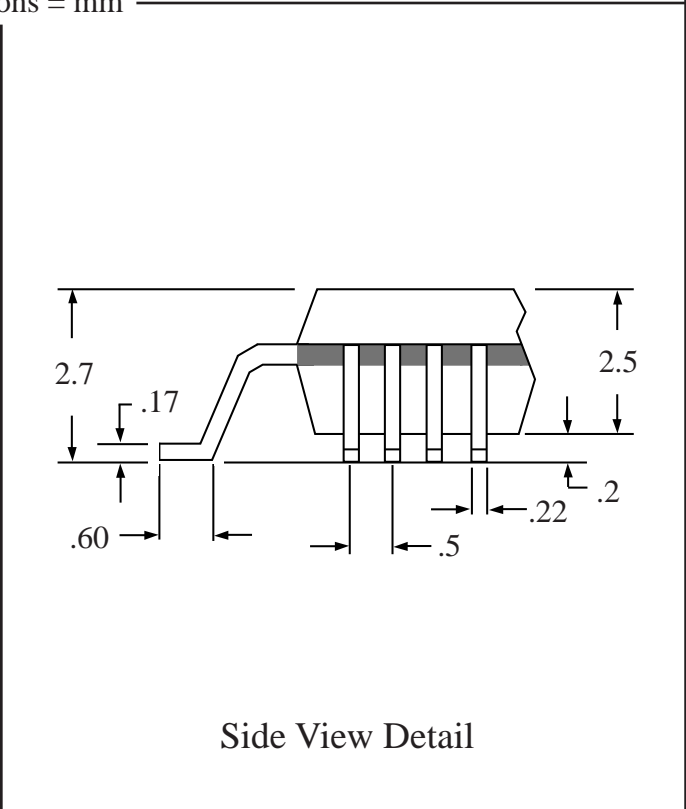
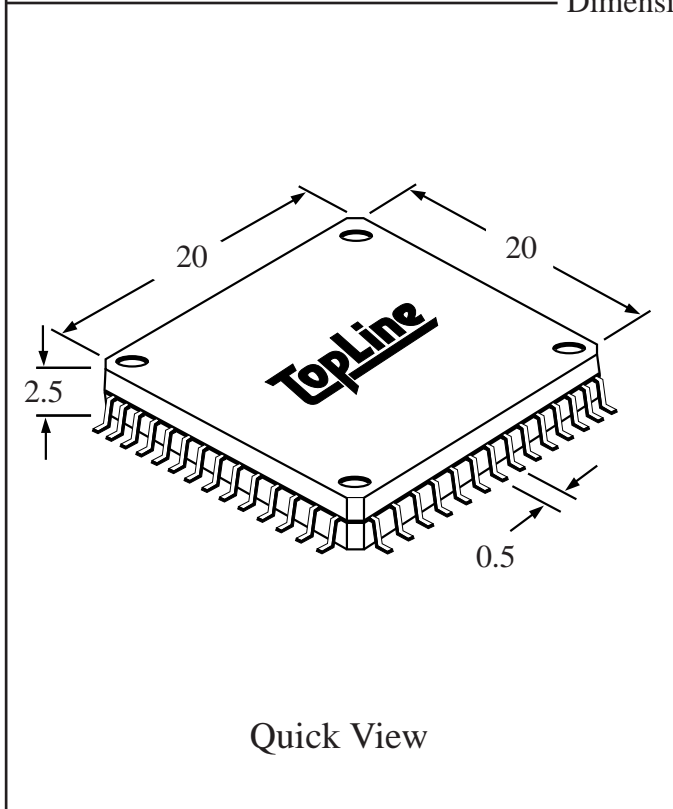


Part # **SQFP144T19.7-2.0**
 Leads **144** Pitch **0.5mm**
 Body Size **20mmSQ**

TopLine™
 Tel 1-714-898-3830
 info@topline.tv



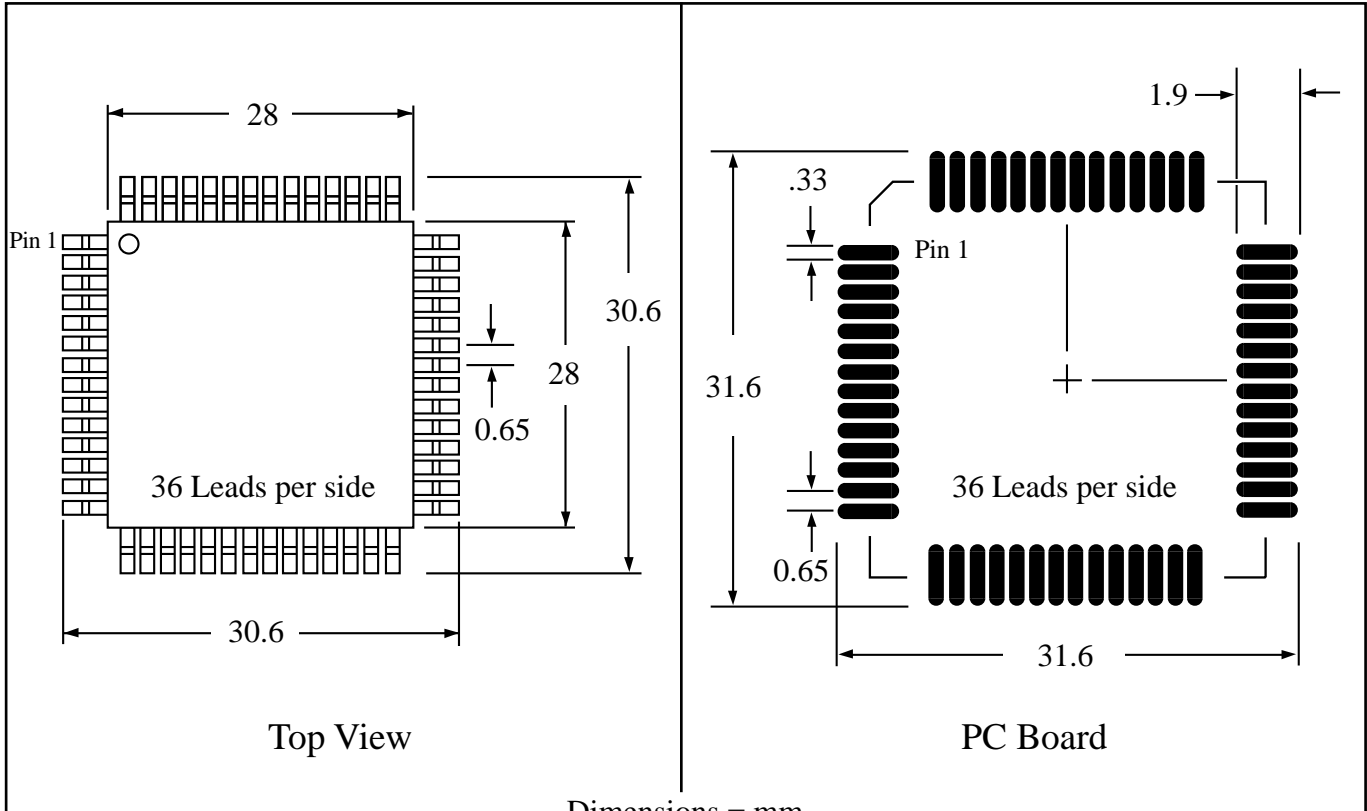
Dimensions = mm



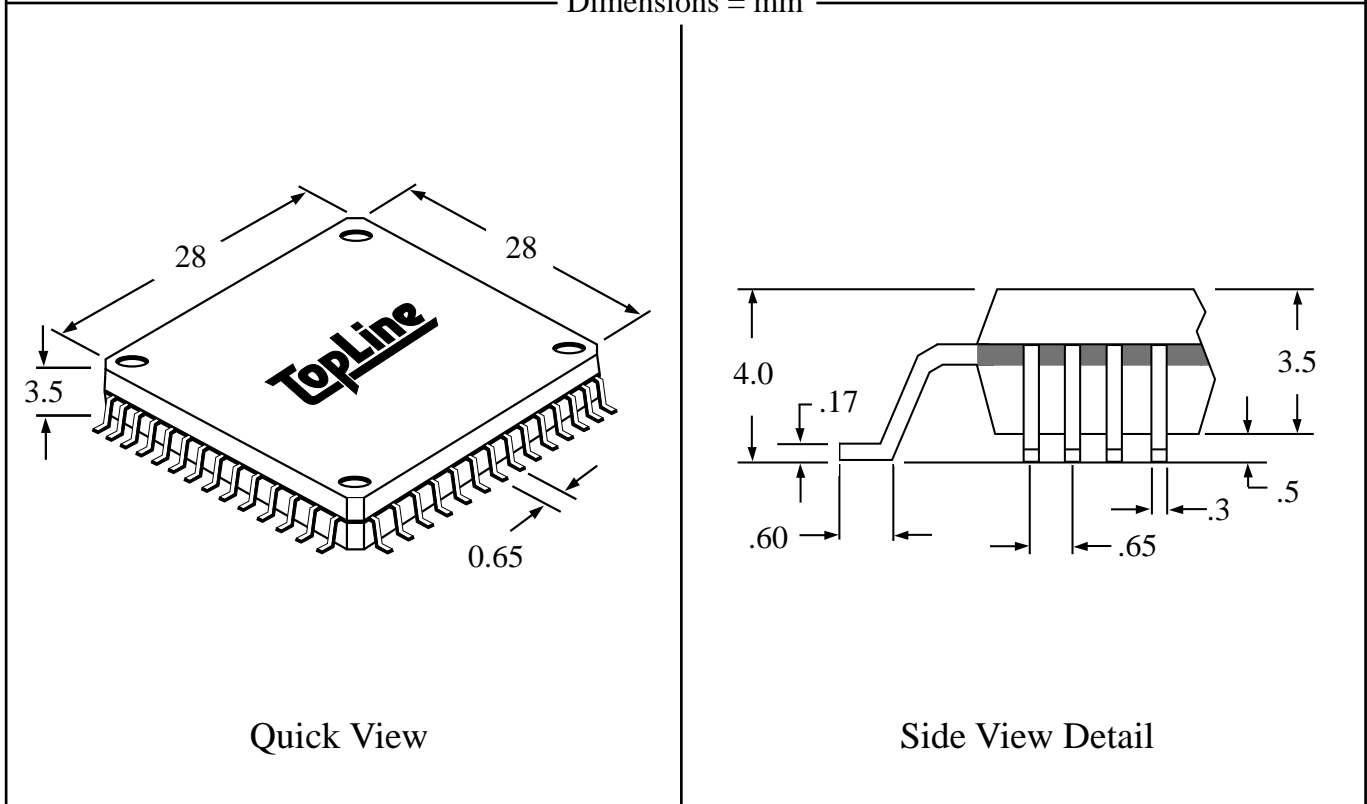
Part # **QFP144T25-2.6**
 Leads **144** Pitch **0.65mm**
 Body Size **28mmSQ**

TopLine™
 Tel 1-714-898-3830
 info@toplinedummy.com

Dwg Q144P626.pdf



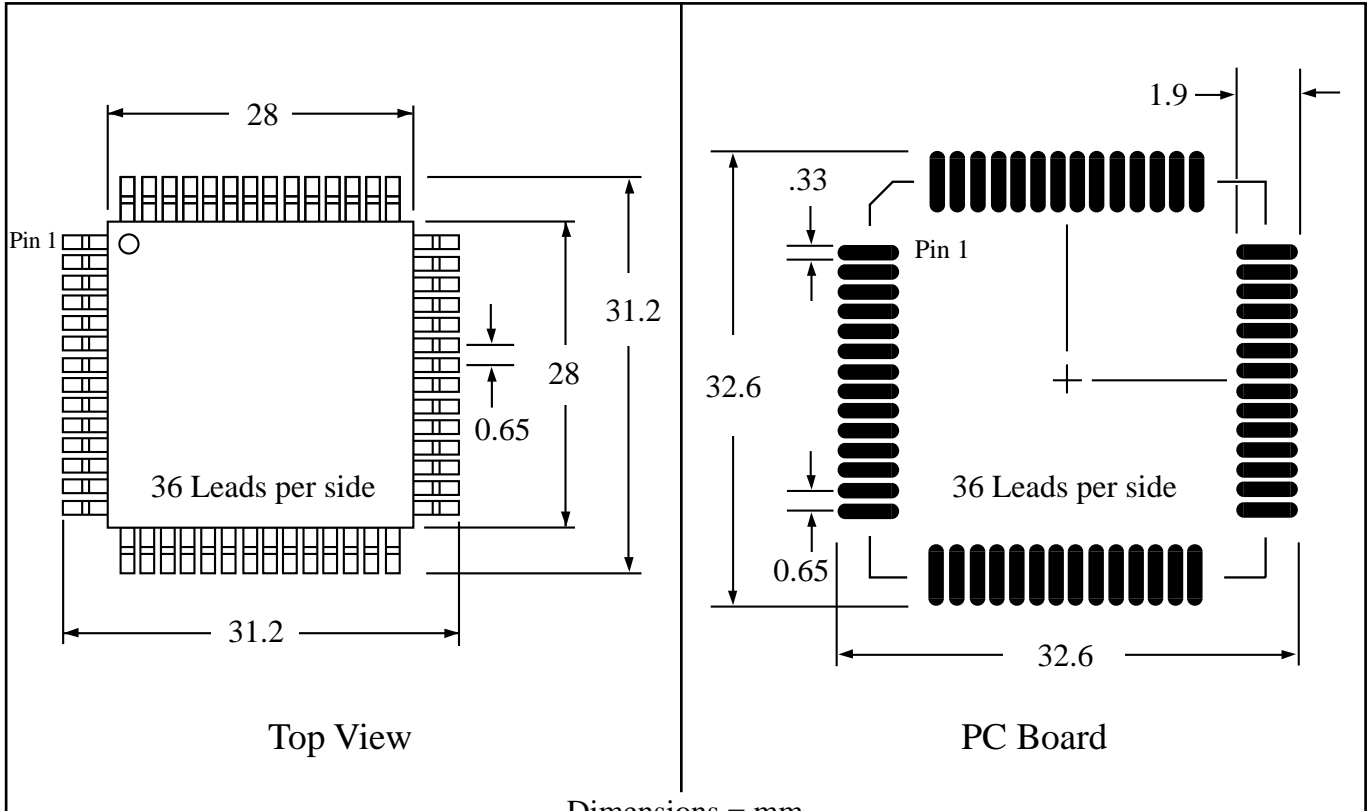
Dimensions = mm



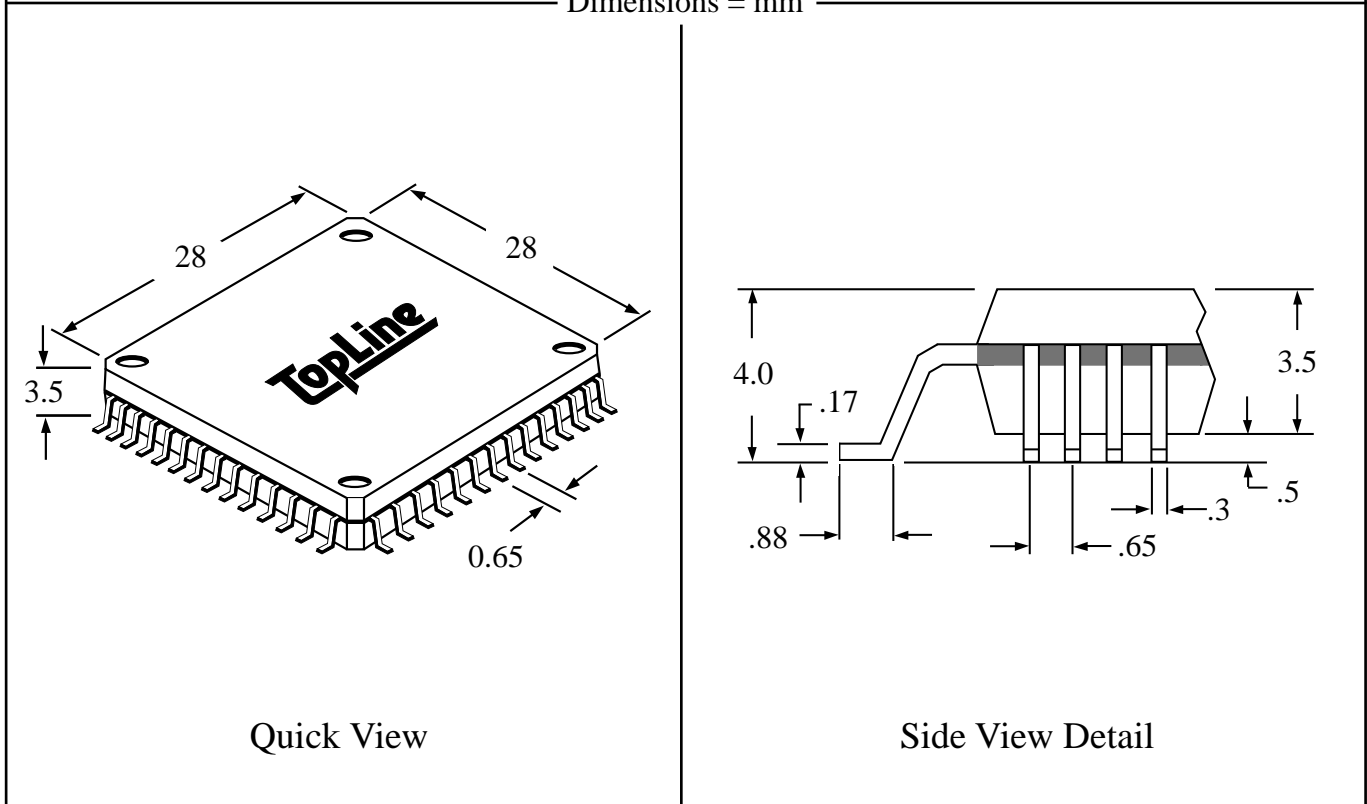
Part # **QFP144T25-3.2**
 Leads **144** Pitch **0.65mm**
 Body Size **28mmSQ**

TopLine™
 Tel 1-714-898-3830
 info@toplinedummy.com

Dwg Q144P632.pdf



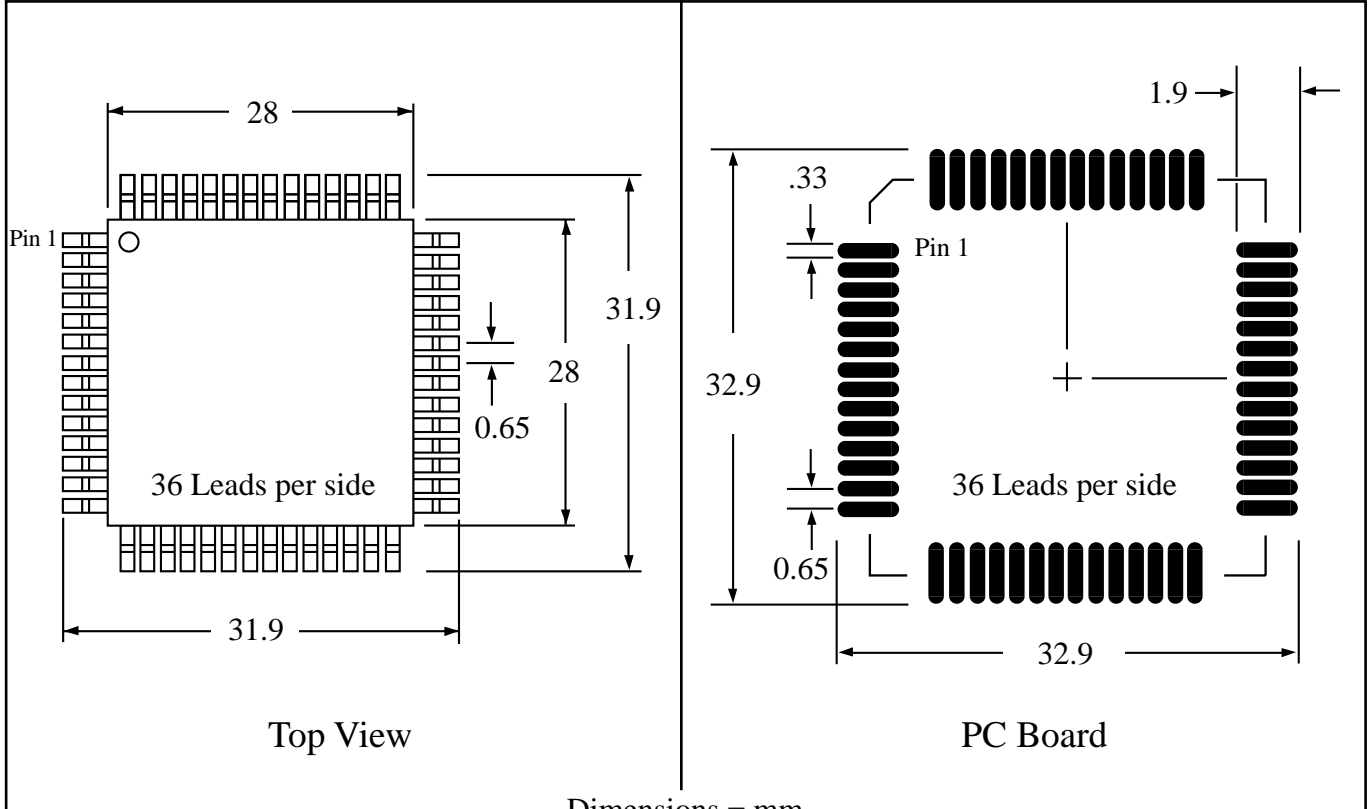
Dimensions = mm



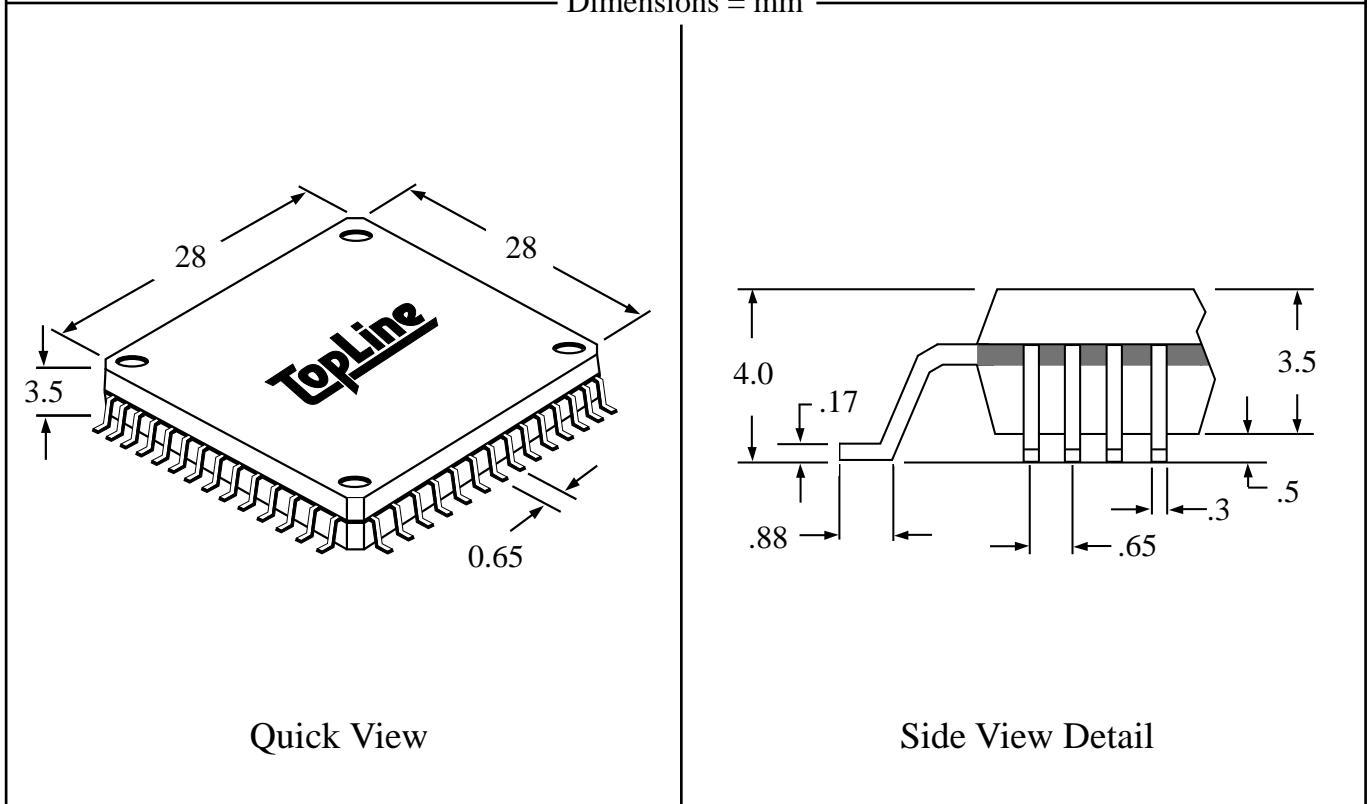
Part # **QFP144T25-3.9**
 Leads **144** Pitch **0.65mm**
 Body Size **28mmSQ**

TopLine™
 Tel 1-714-898-3830
 info@toplinedummy.com

Dwg Q144P639.pdf



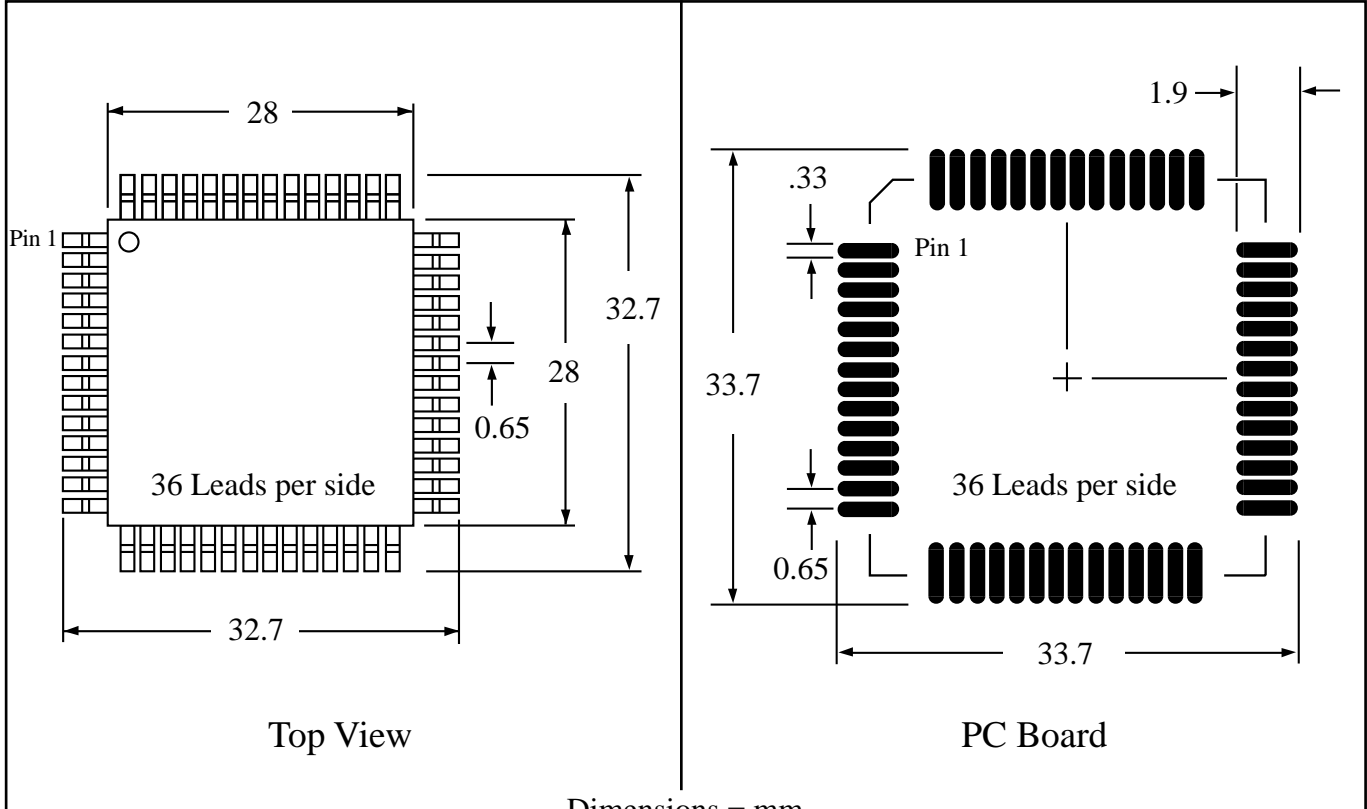
Dimensions = mm



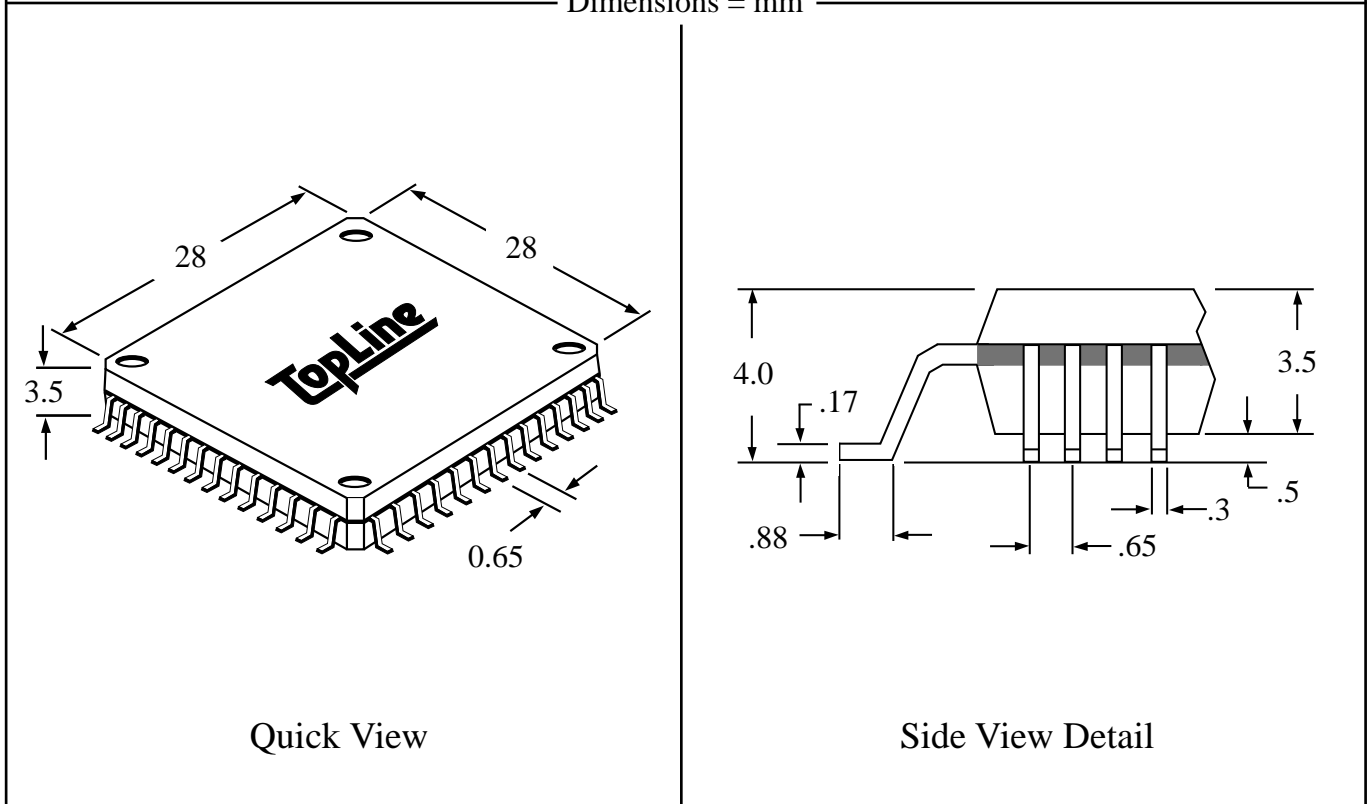
Part # **QFP144T25-4.7**
 Leads **144** Pitch **0.65mm**
 Body Size **28mmSQ**

TopLine™
 Tel 1-714-898-3830
 info@toplinedummy.com

Dwg Q144P647.pdf



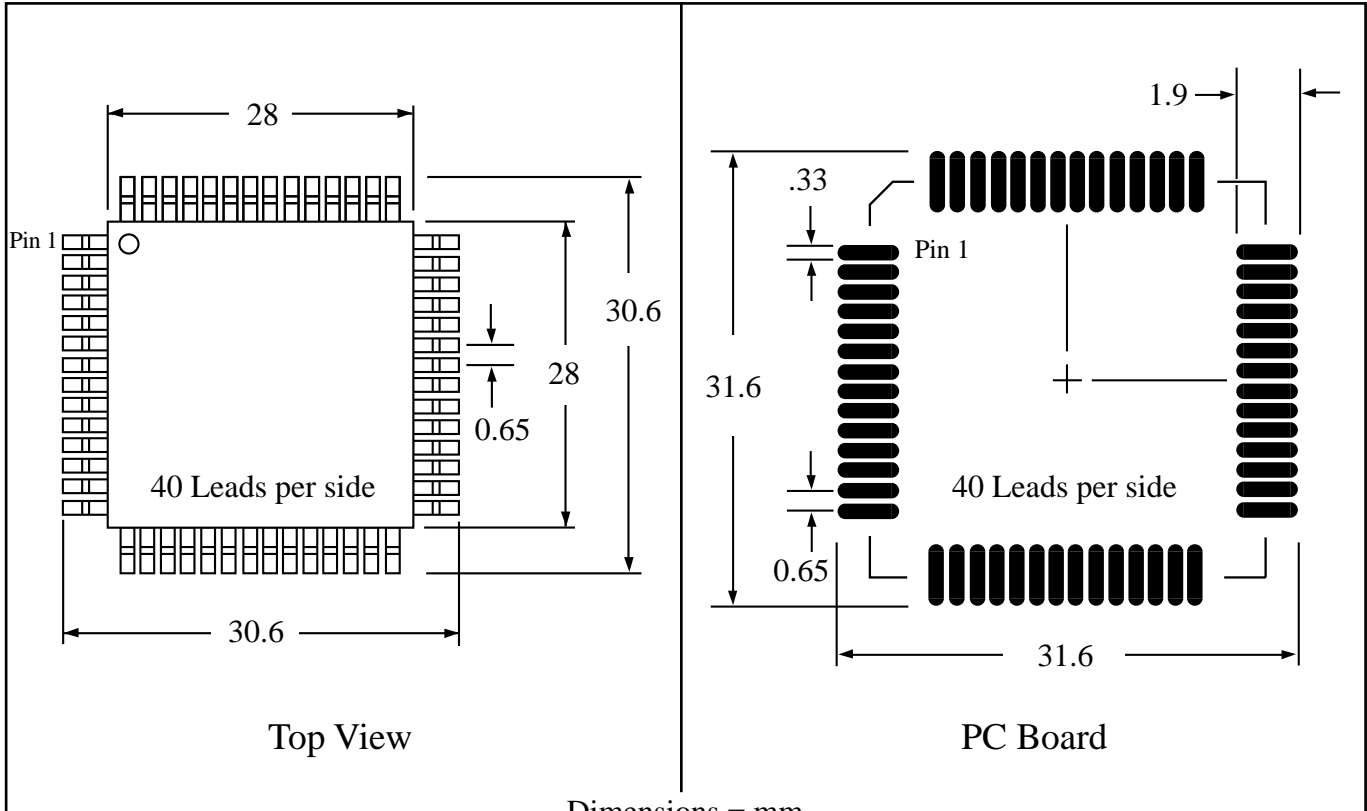
Dimensions = mm



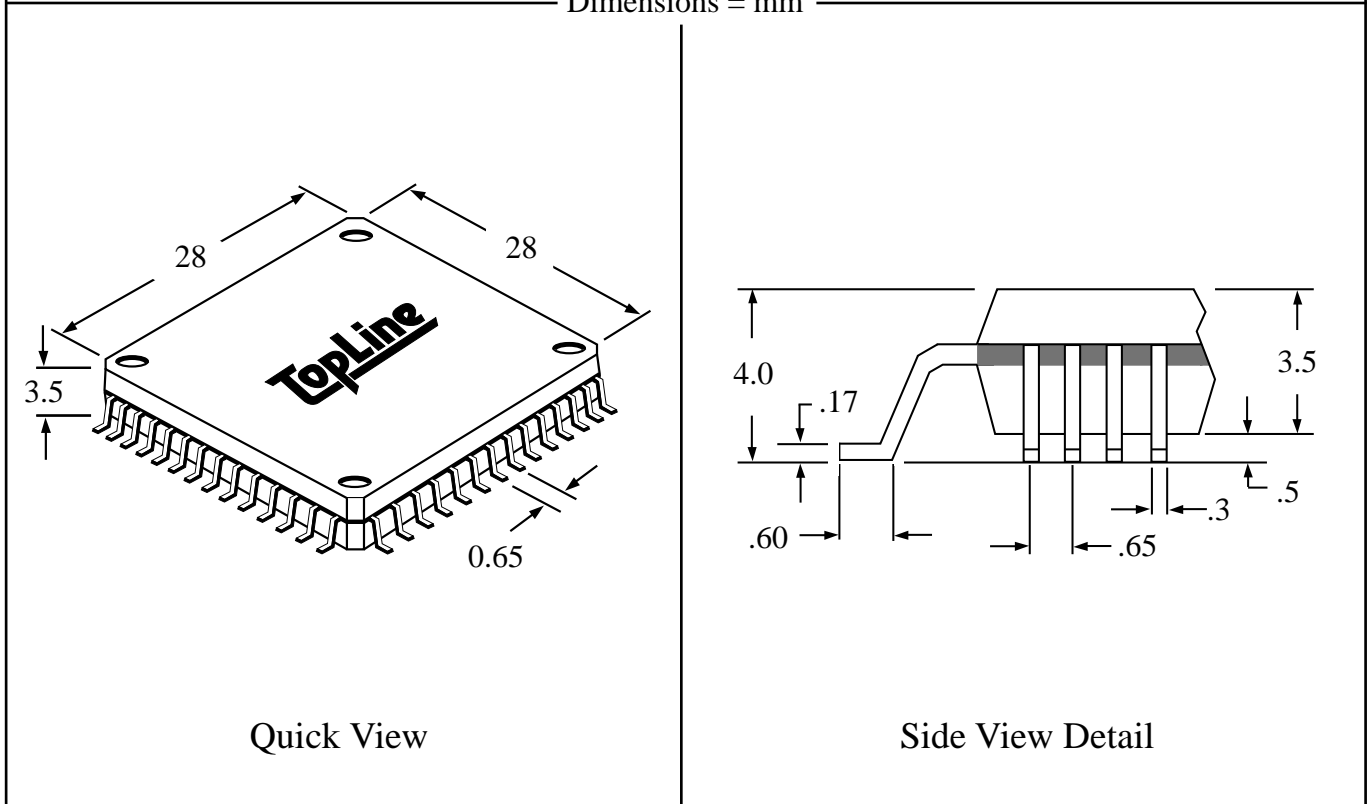
Part # **QFP160T25-2.6**
 Leads **160** Pitch **0.65mm**
 Body Size **28mmSQ**

TopLine™
 Tel 1-714-898-3830
 info@toplinedummy.com

Dwg Q160P626.pdf



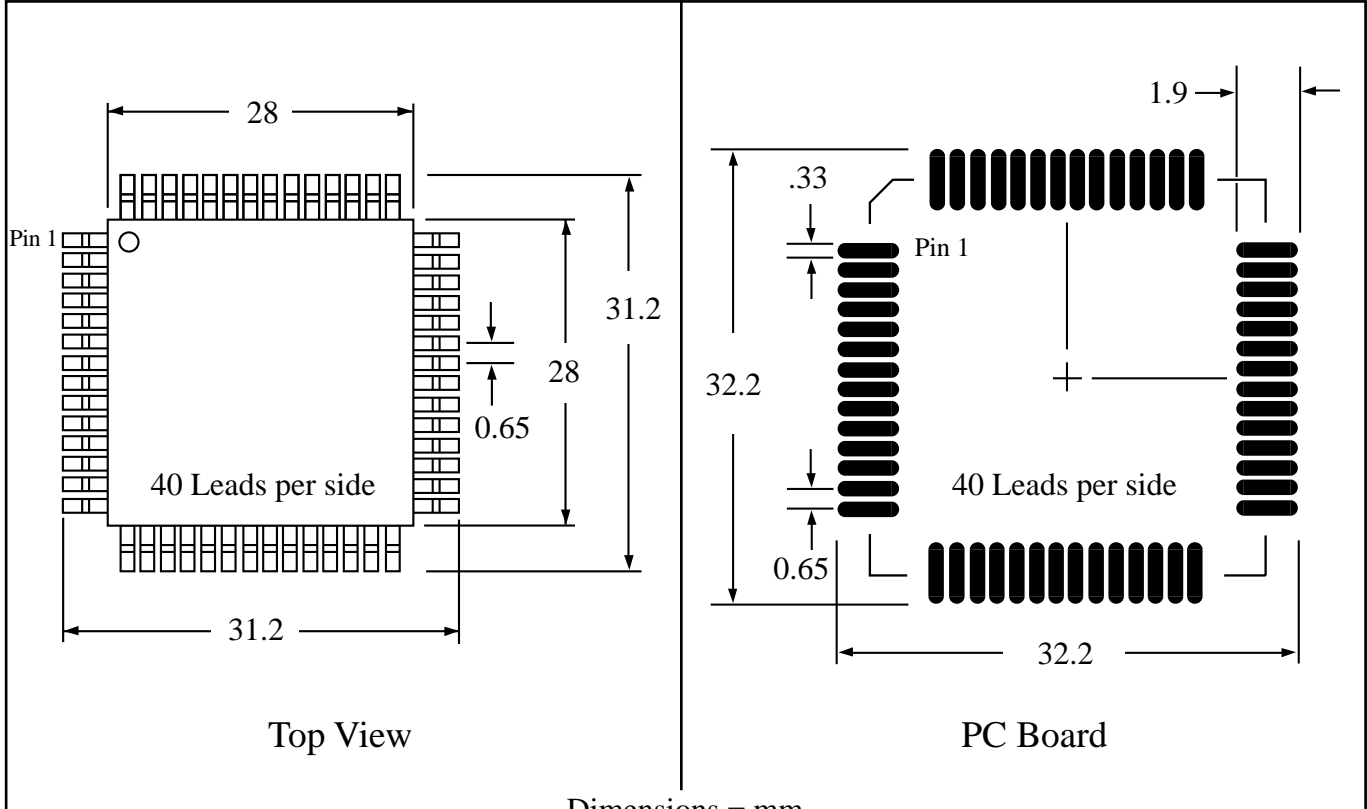
Dimensions = mm



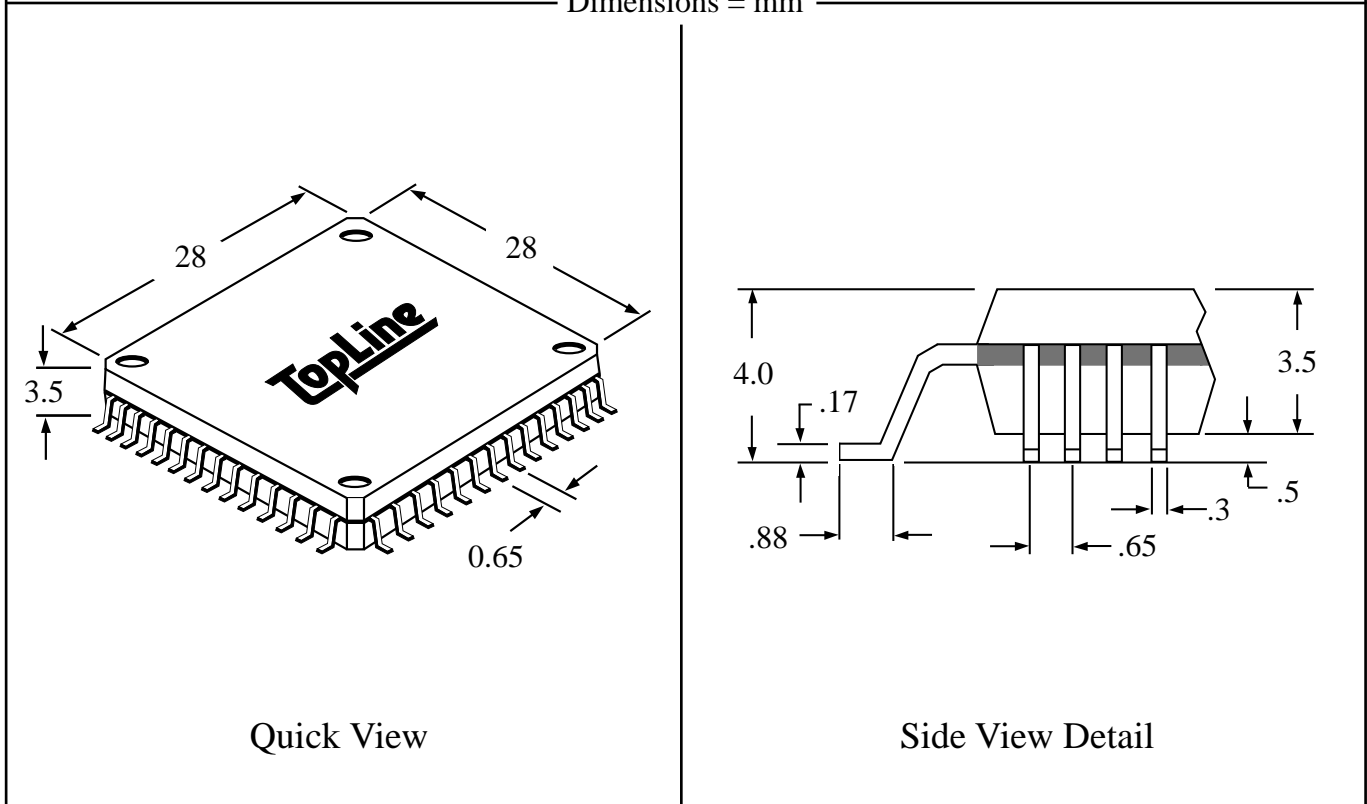
Part # **QFP160T25-3.2**
 Leads **160** Pitch **0.65mm**
 Body Size **28mmSQ**

TopLineTM
 Tel 1-714-898-3830
 info@toplinedummy.com

Dwg Q160P632.pdf



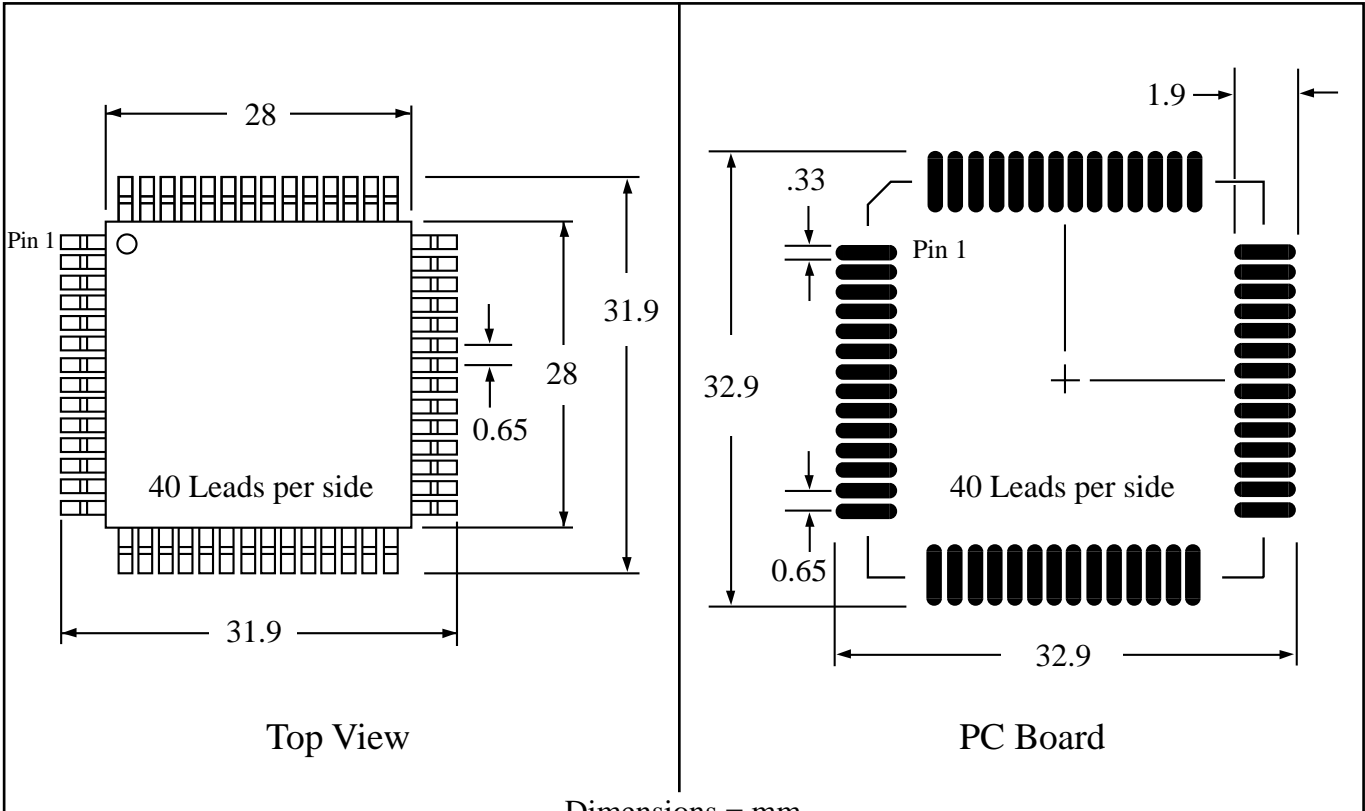
Dimensions = mm



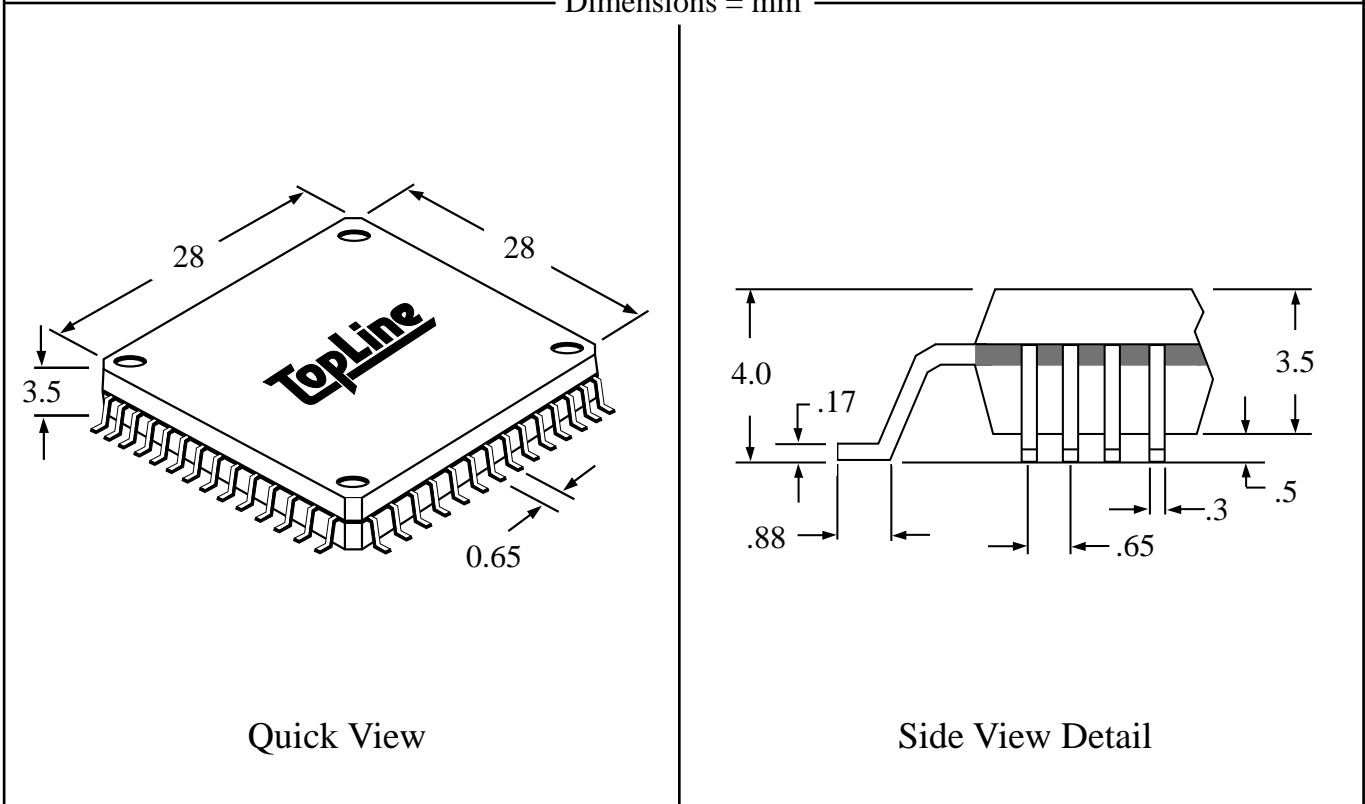
Part # **QFP160T25-3.9**
 Leads **160** Pitch **0.65mm**
 Body Size **28mmSQ**

TopLineTM
 Tel 1-714-898-3830
 info@toplinedummy.com

Dwg Q160P639.pdf



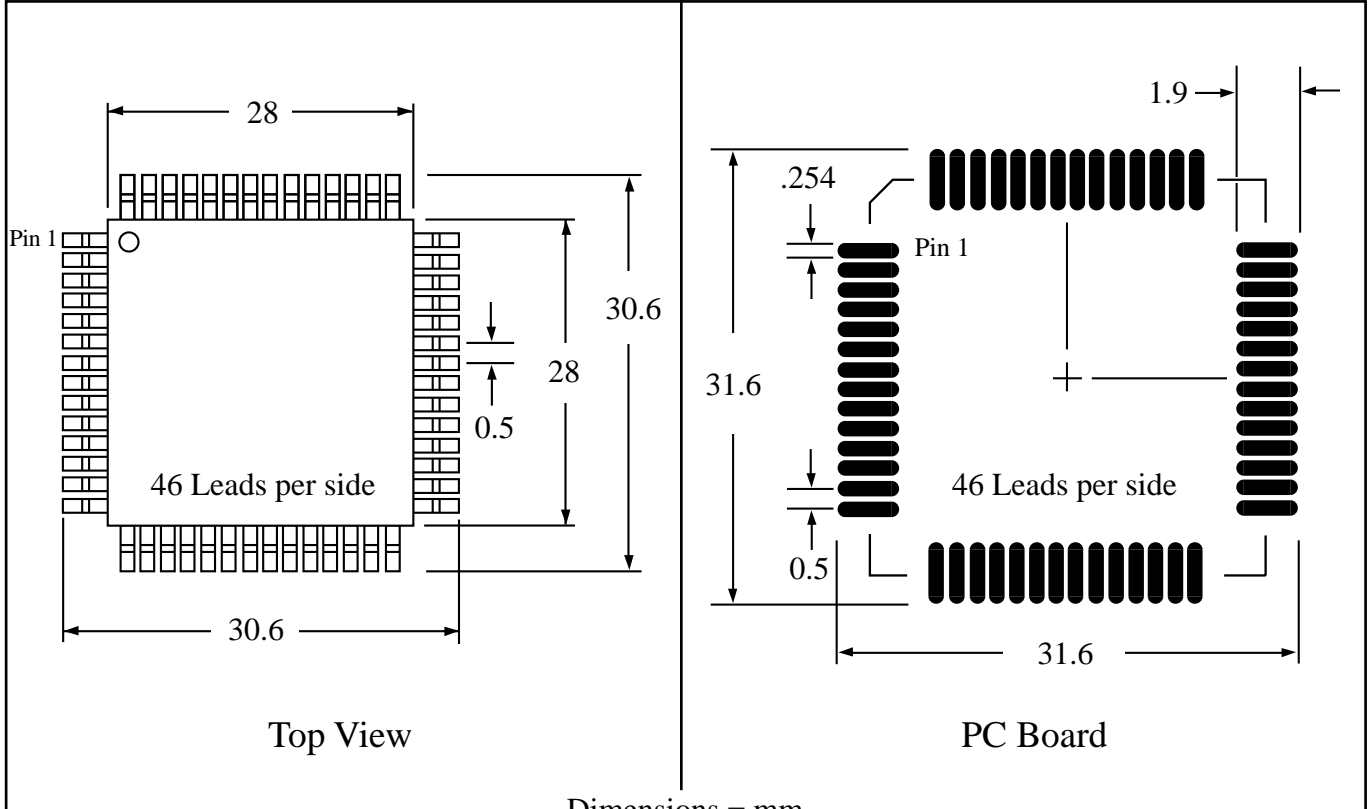
Dimensions = mm



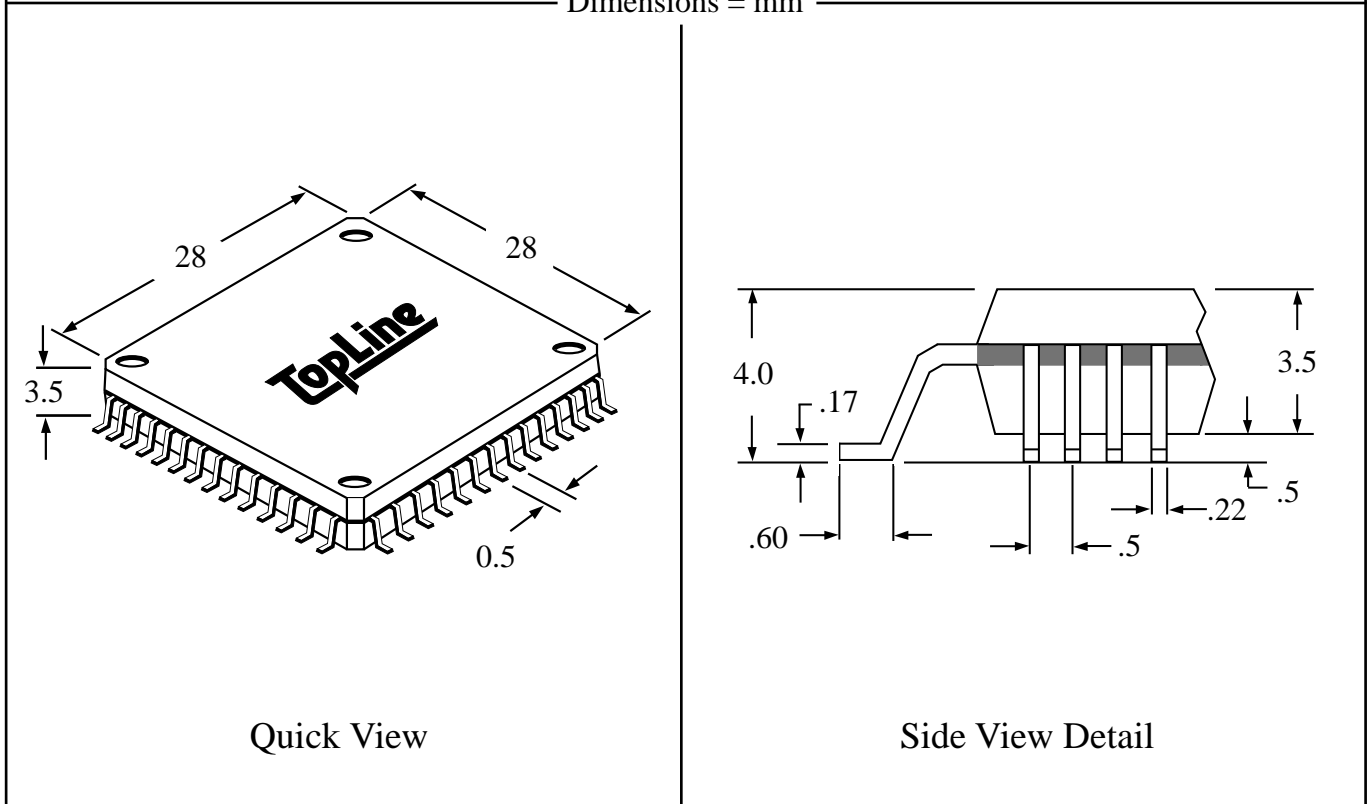
Part # **QFP184T19.7-2.6**
 Leads **184** Pitch **0.5mm**
 Body Size **28mmSQ**

TopLine™
 Tel 1-714-898-3830
 info@toplinedummy.com

Dwg Q184P526.pdf



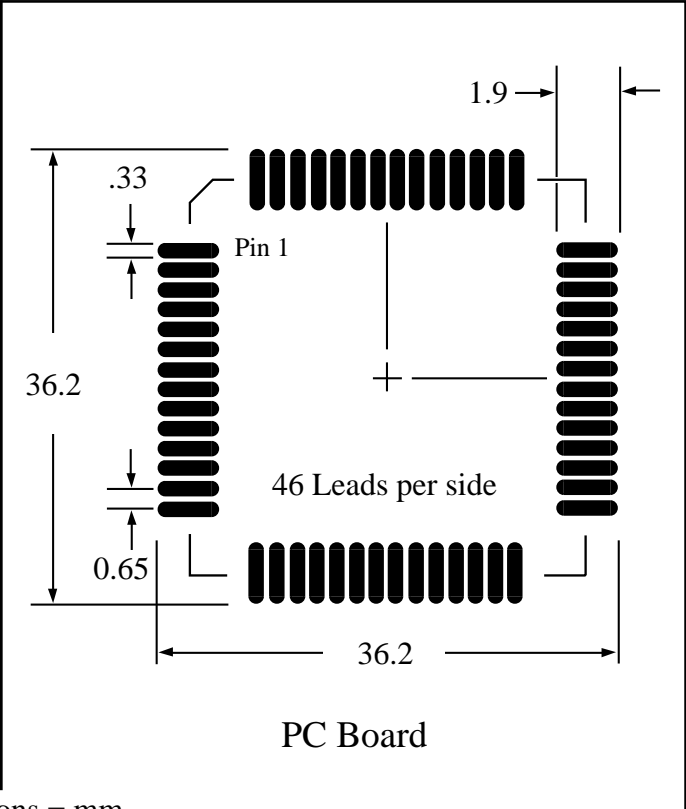
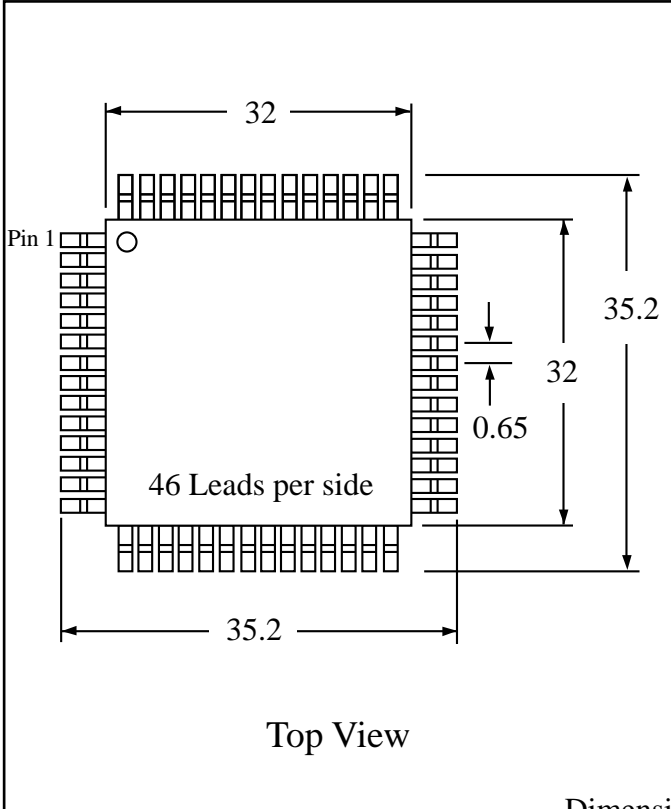
Dimensions = mm



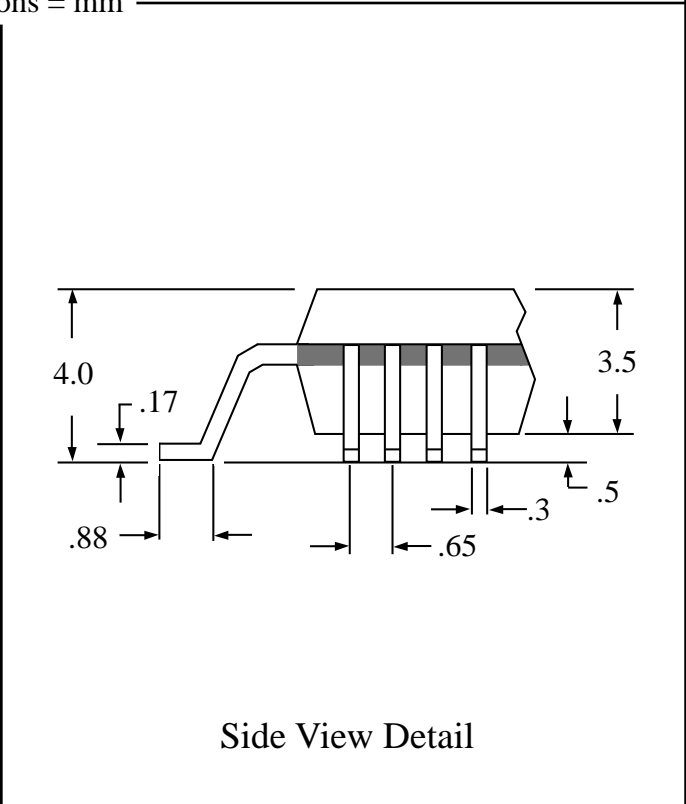
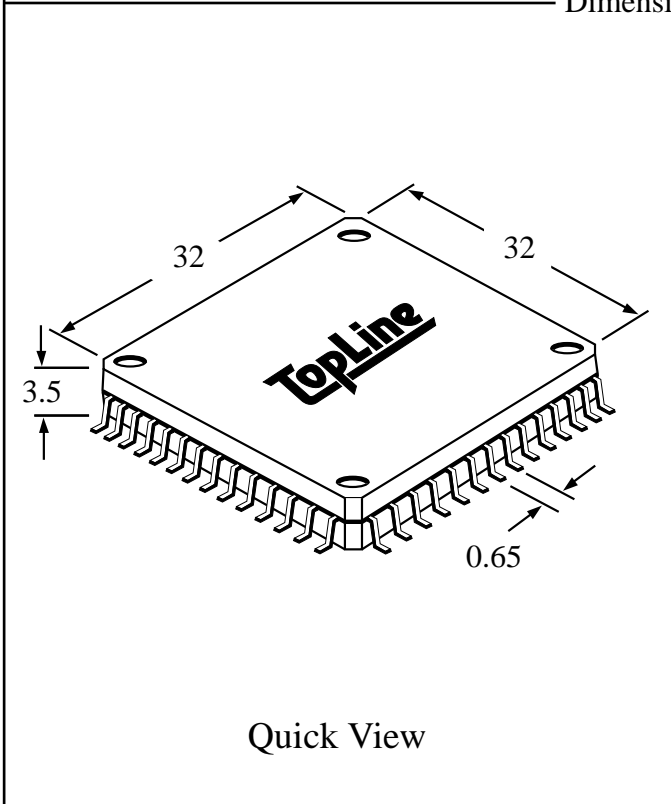
Part # **QFP184T25-3.2**
 Leads **184** Pitch **0.65mm**
 Body Size **32mmSQ**

TopLine™
 Tel 1-714-898-3830
 info@toplinedummy.com

Dwg Q184P632.pdf



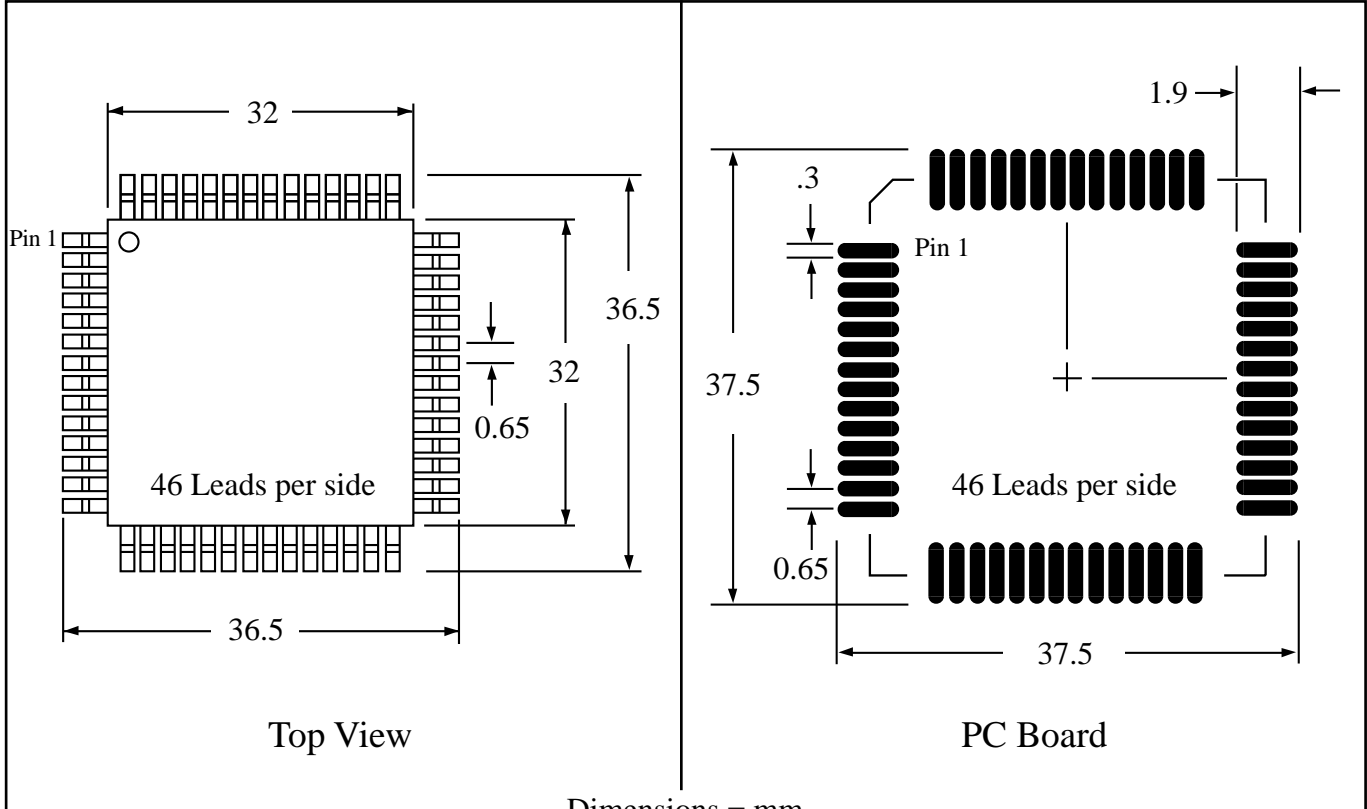
Dimensions = mm



Part # **QFP184T25-4.5**
 Leads **184** Pitch **0.65mm**
 Body Size **32mmSQ**

TopLineTM
 Tel 1-714-898-3830
 info@toplinedummy.com

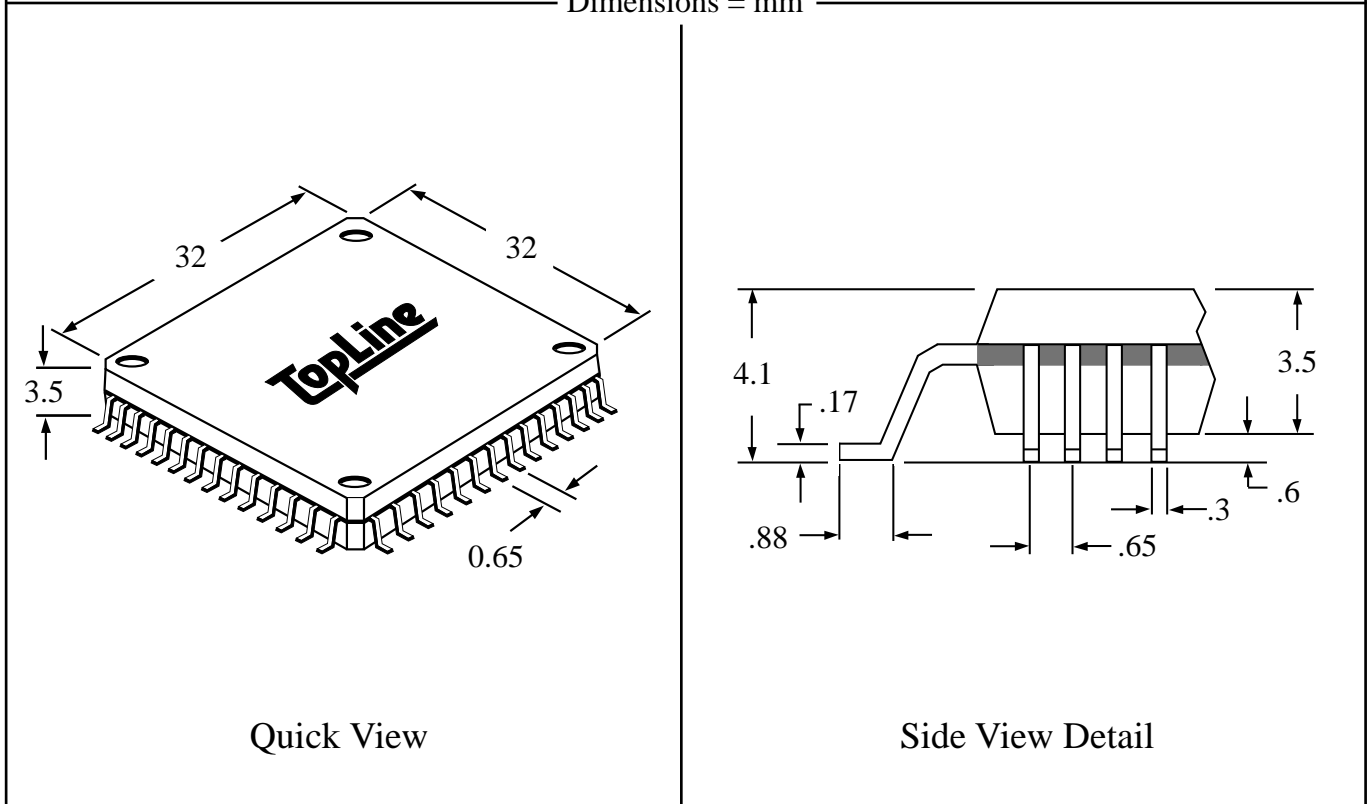
Dwg Q184P645.pdf



Top View

PC Board

Dimensions = mm



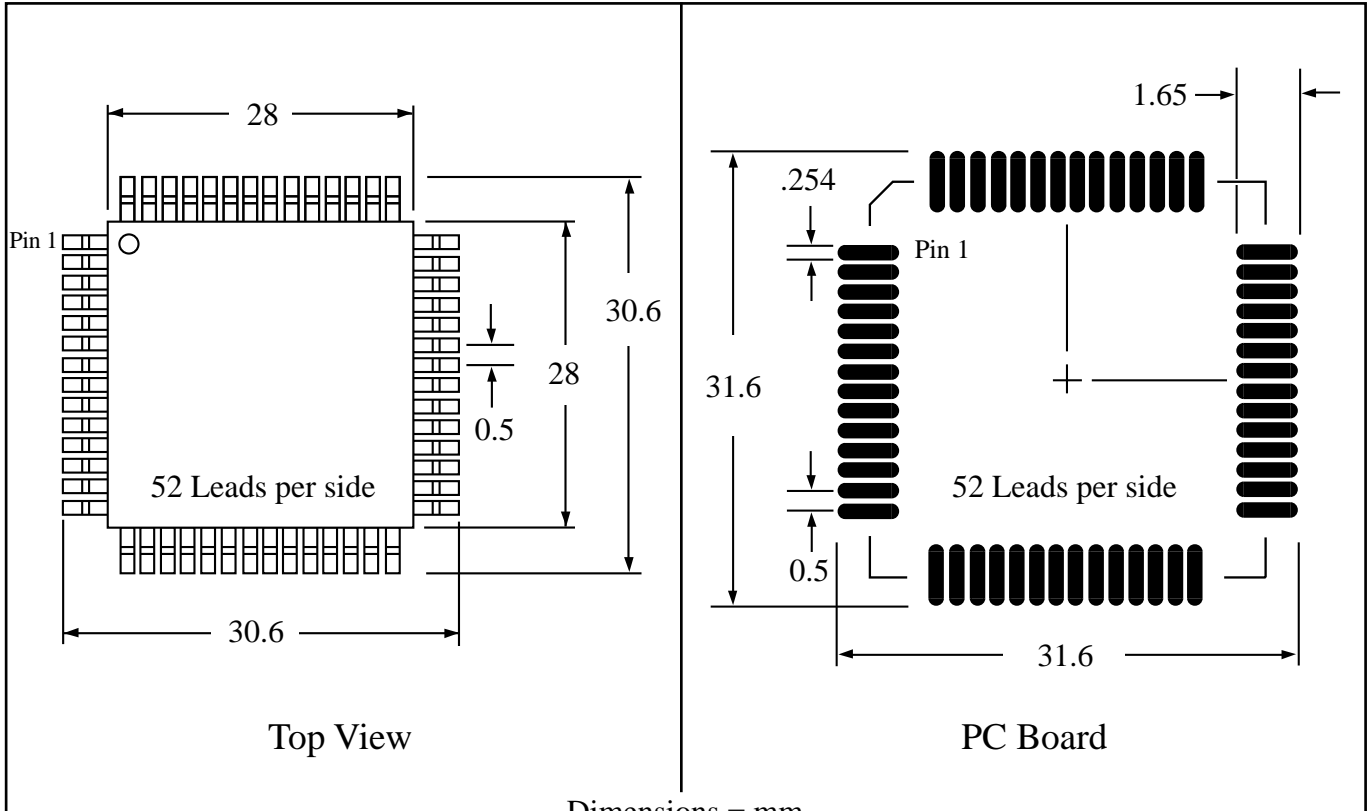
Quick View

Side View Detail

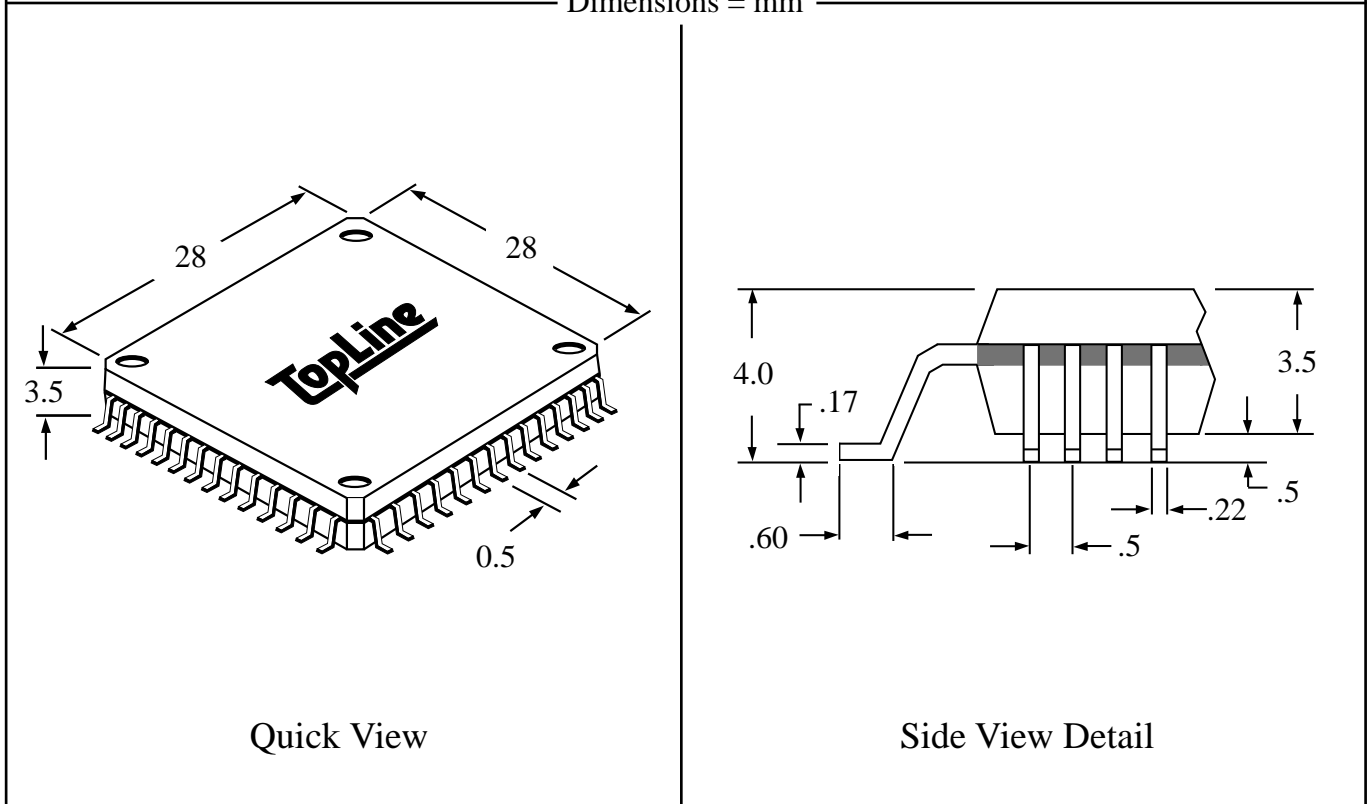
Part # **QFP208T19.7-2.6**
 Leads **208** Pitch **0.5mm**
 Body Size **28mmSQ**

TopLine™
 Tel 1-714-898-3830
 info@toplinedummy.com

Dwg Q208P526.pdf



Dimensions = mm



Part # **QFP208T19.7F-2.6 LEAD FREE**

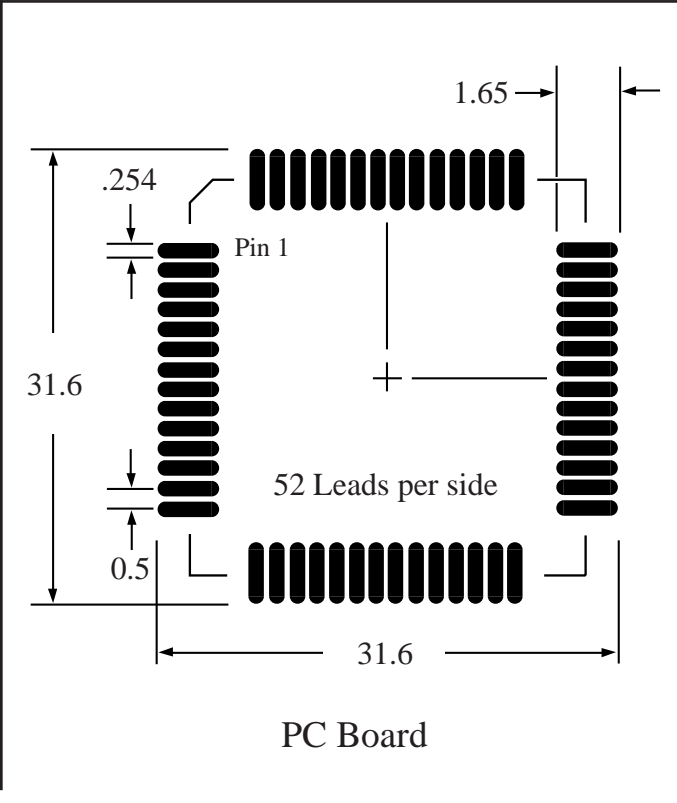
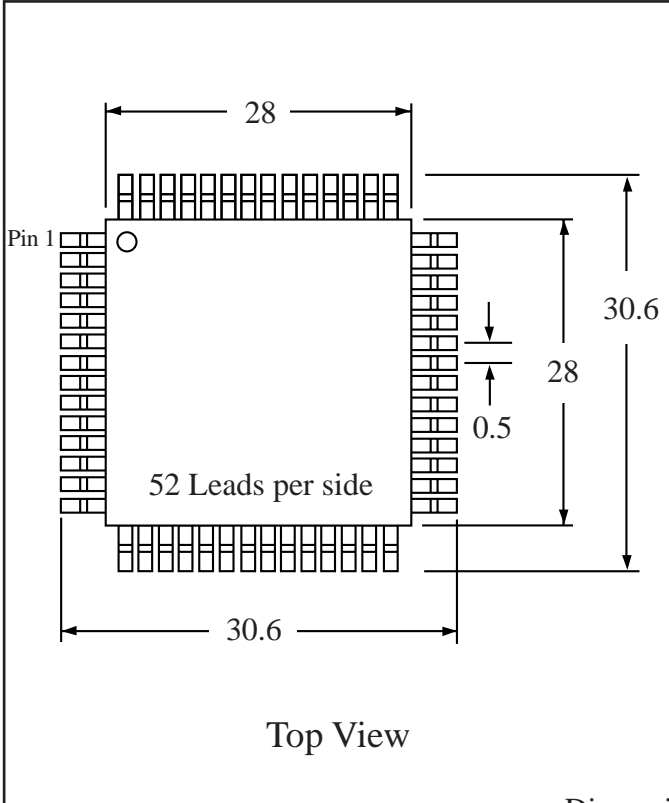
Leads **208** Pitch **0.5mm**

Body Size **28mm SQ**

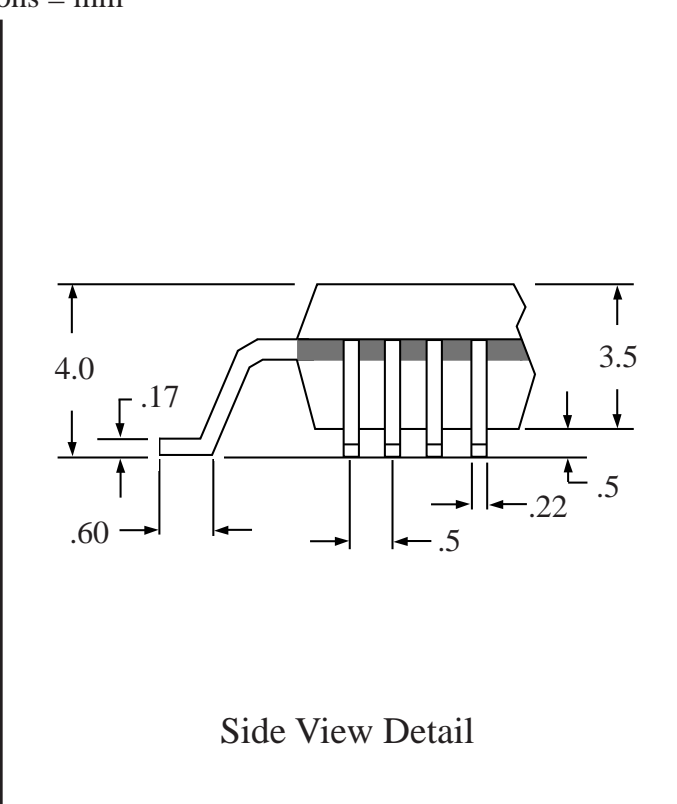
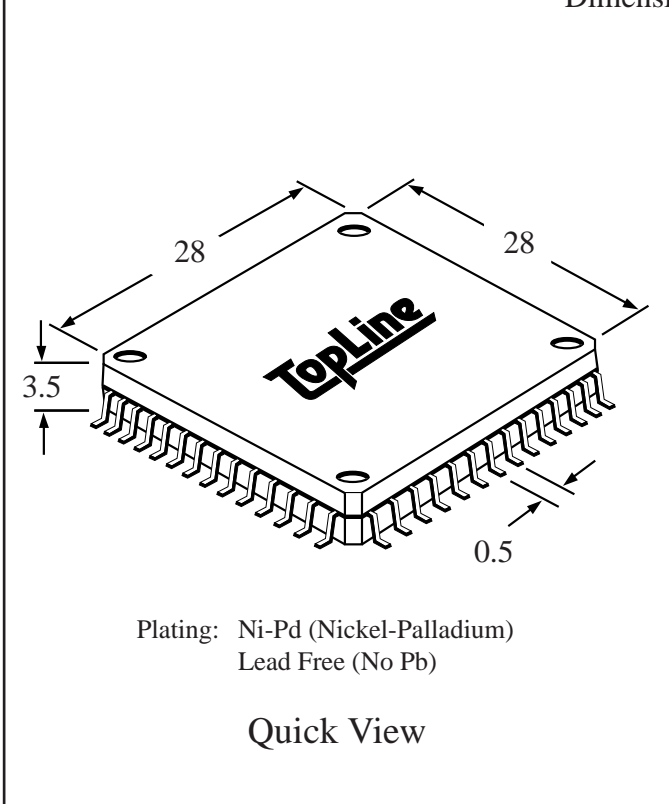


Tel 1-714-898-3830

info@topline.tv



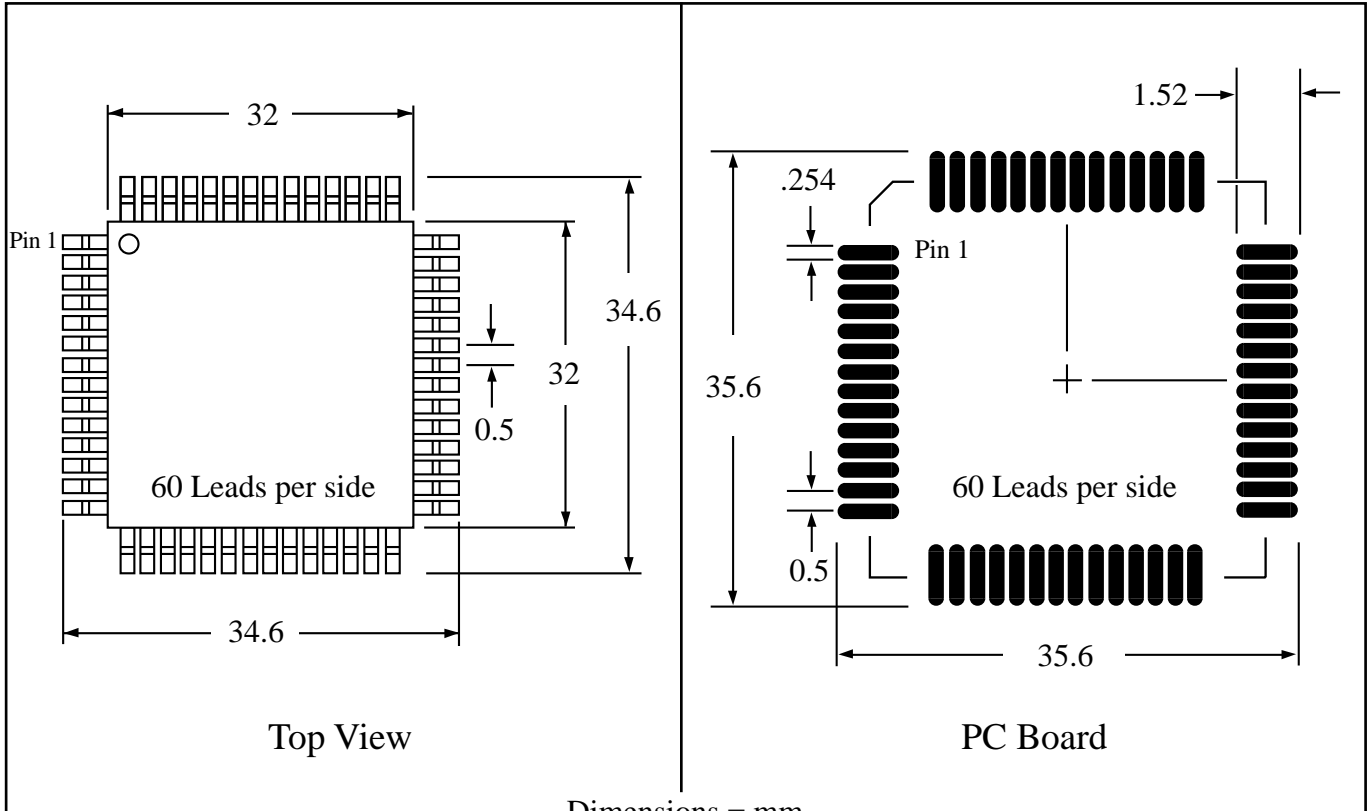
Dimensions = mm



Part # **QFP240T19.7-2.6**
 Leads **240** Pitch **0.5mm**
 Body Size **32mmSQ**

TopLine™
 Tel 1-714-898-3830
 info@toplinedummy.com

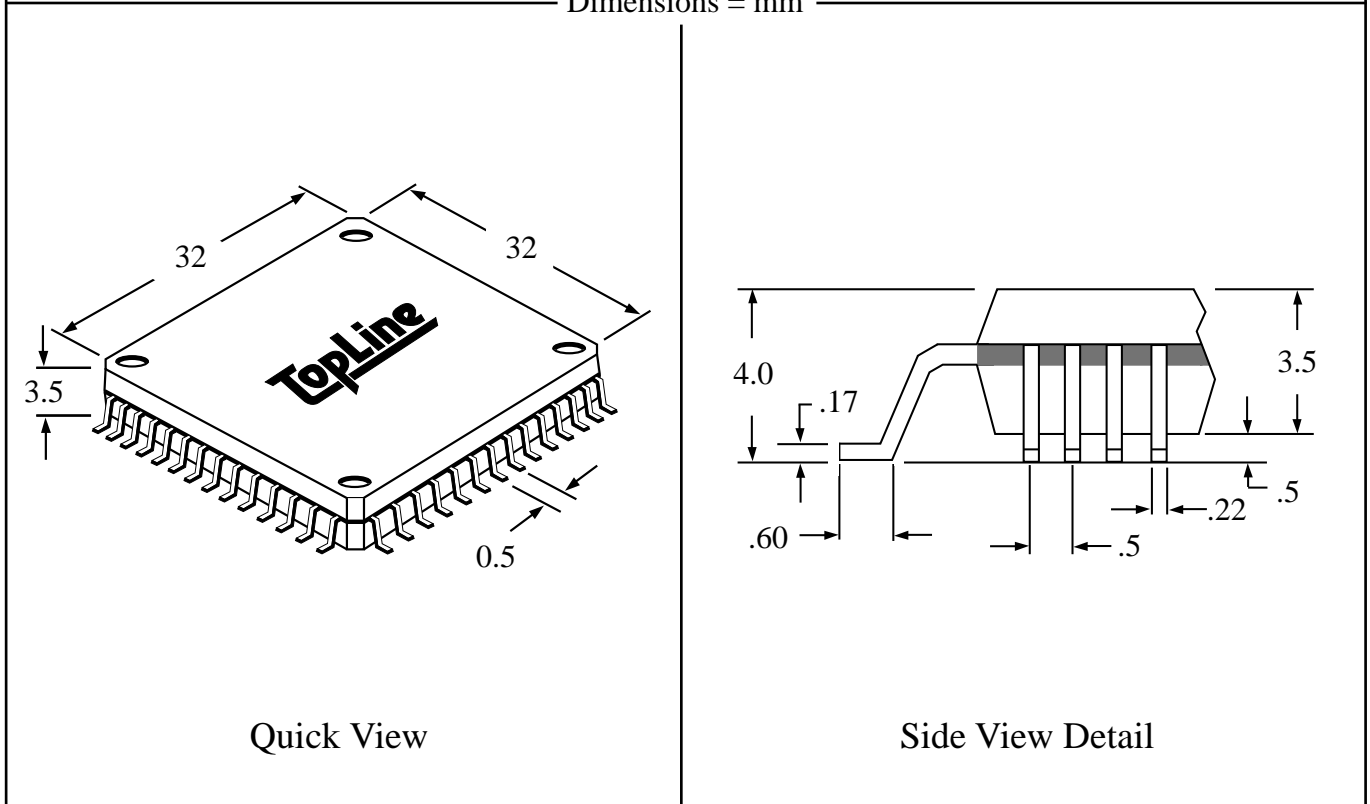
Dwg Q240P526.pdf



Top View

PC Board

Dimensions = mm



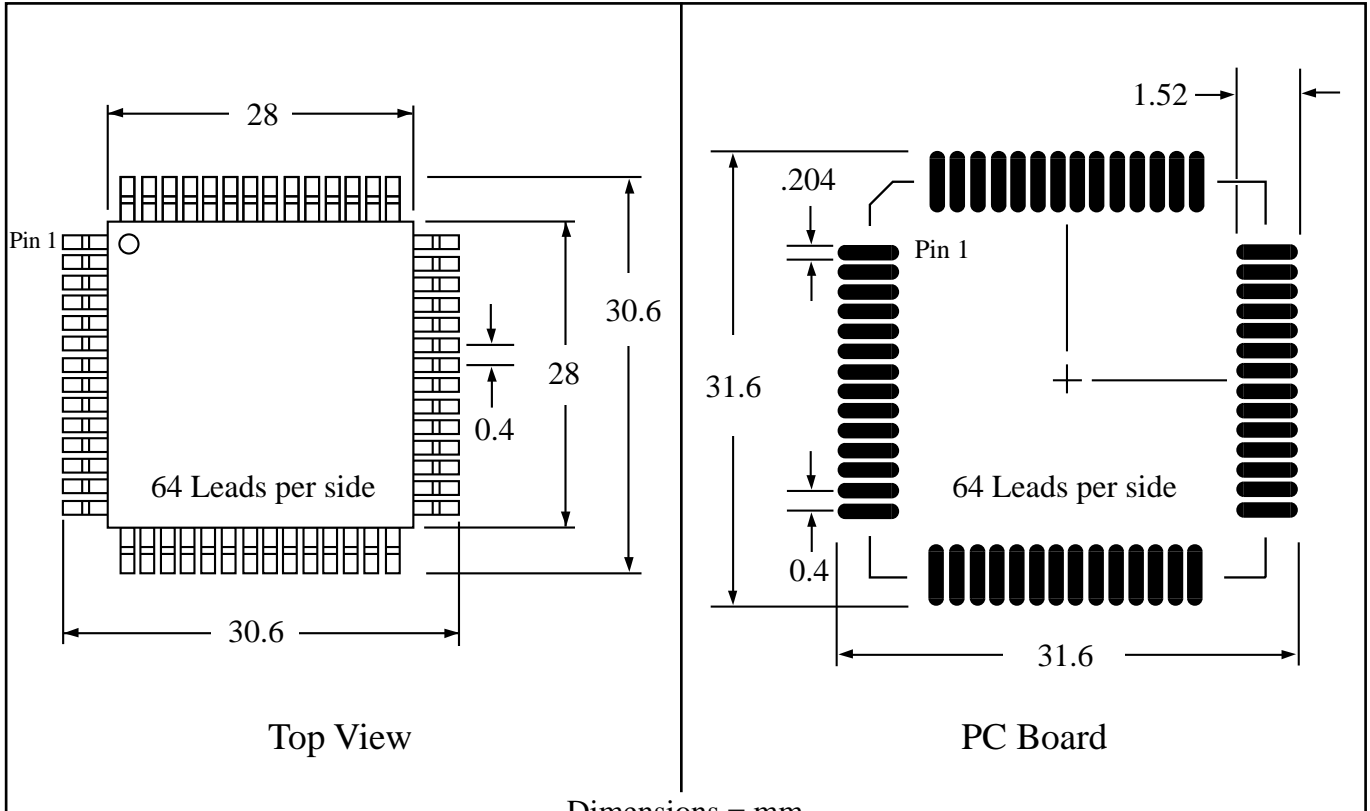
Quick View

Side View Detail

Part # **QFP256T15.7-2.6**
 Leads **256** Pitch **0.4mm**
 Body Size **28mmSQ**

TopLine™
 Tel 1-714-898-3830
 info@toplinedummy.com

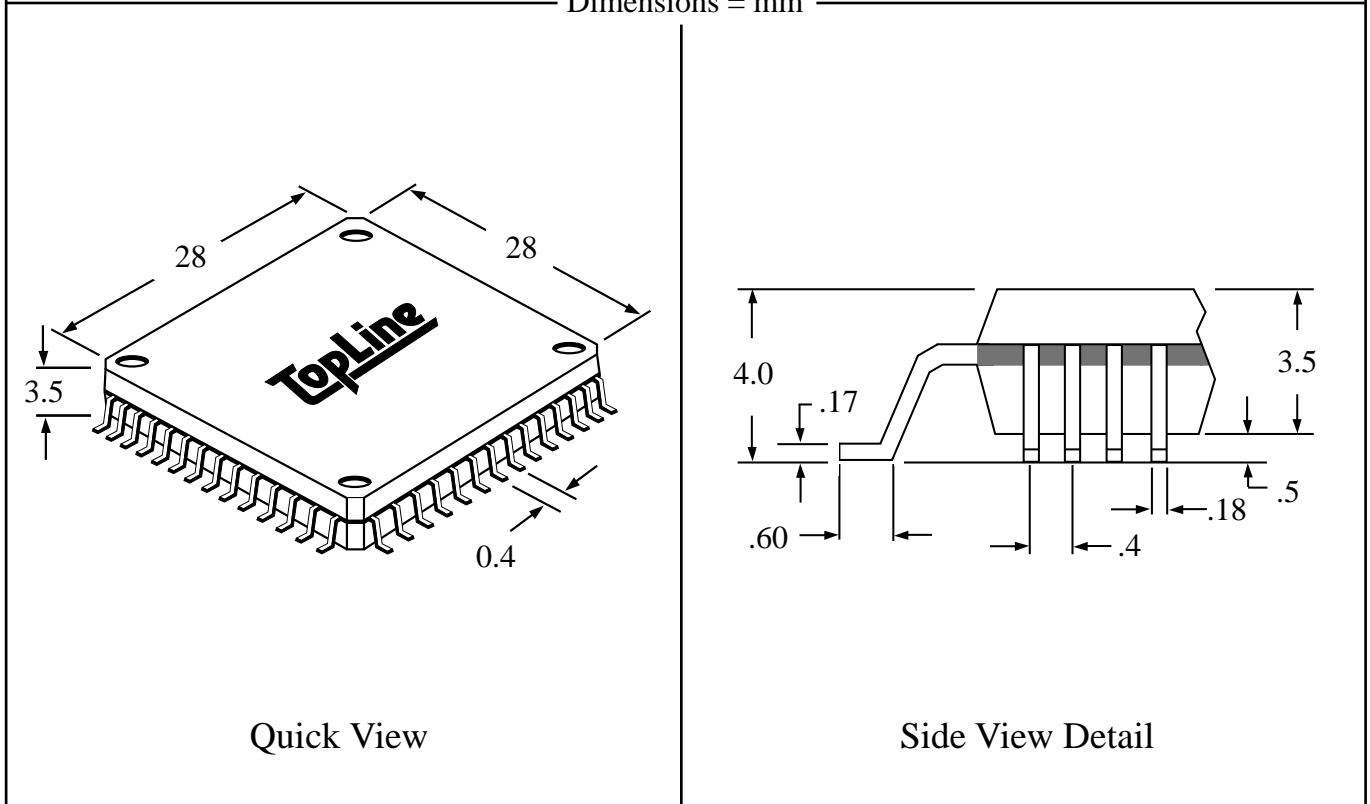
Dwg Q256P426.pdf



Top View

PC Board

Dimensions = mm



Quick View

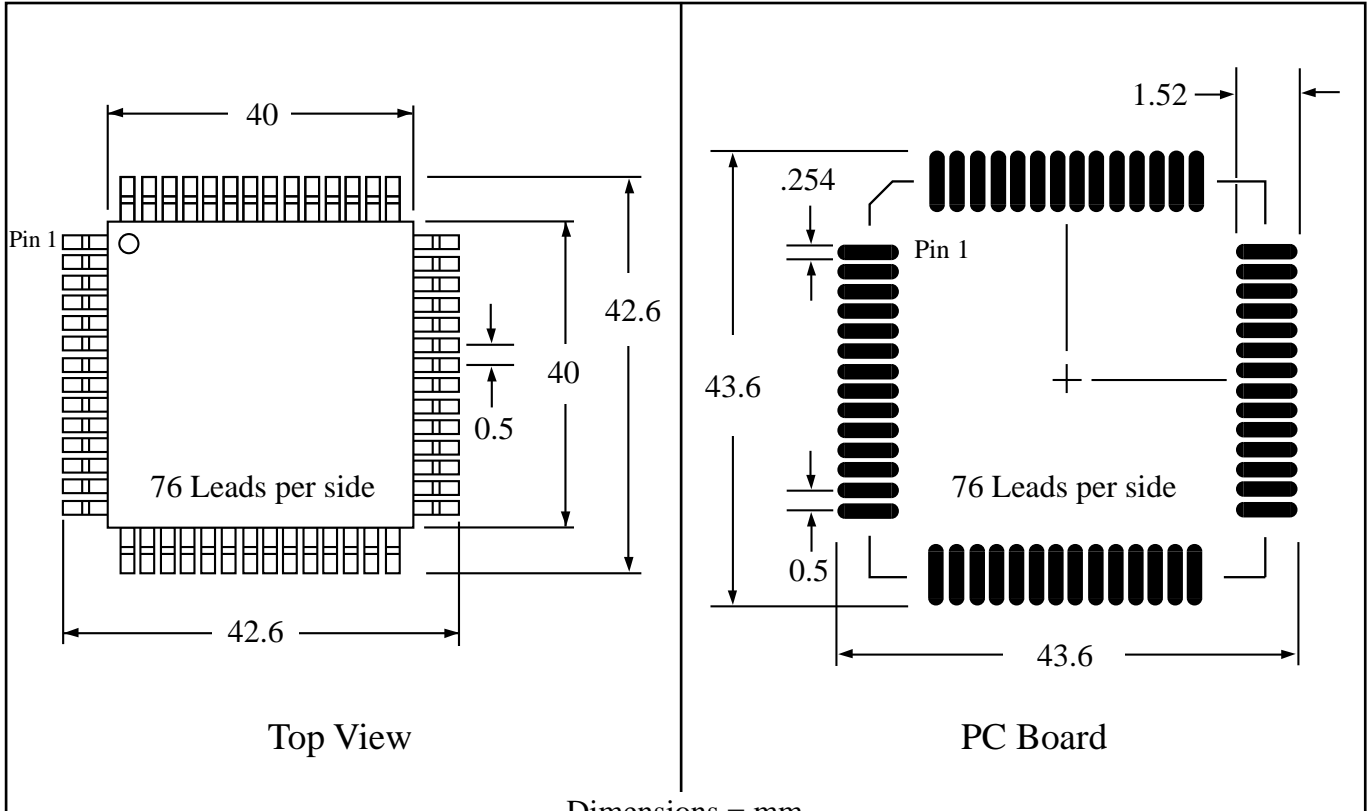
Side View Detail

Part # **QFP304T19.7-2.6**
 Leads **304** Pitch **0.5mm**
 Body Size **40mmSQ**



Tel 1-714-898-3830
 info@topline.tv

Dwg Q304P526.pdf



Dimensions = mm

