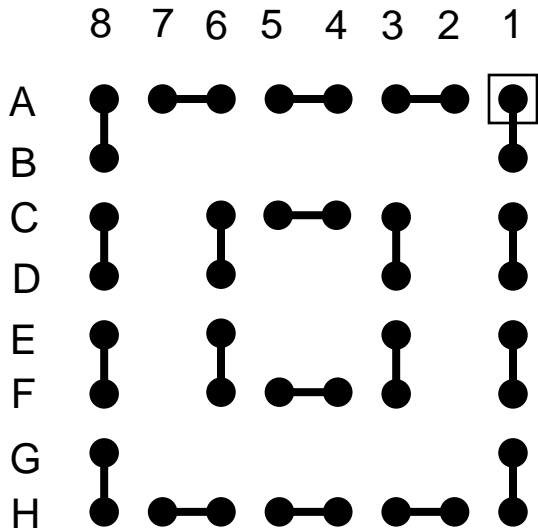
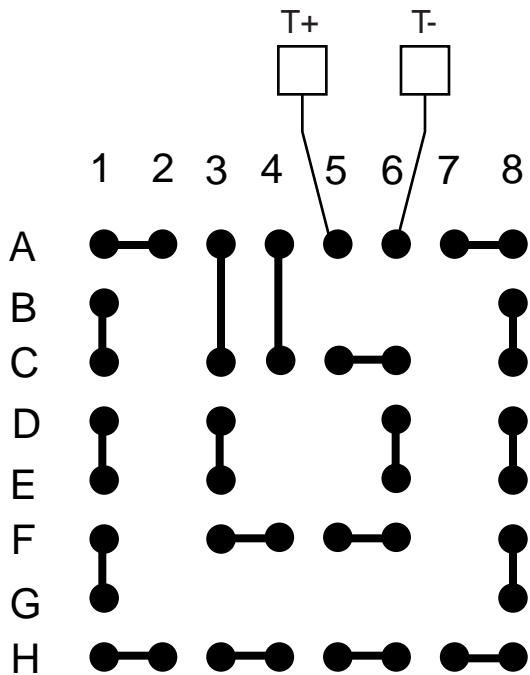
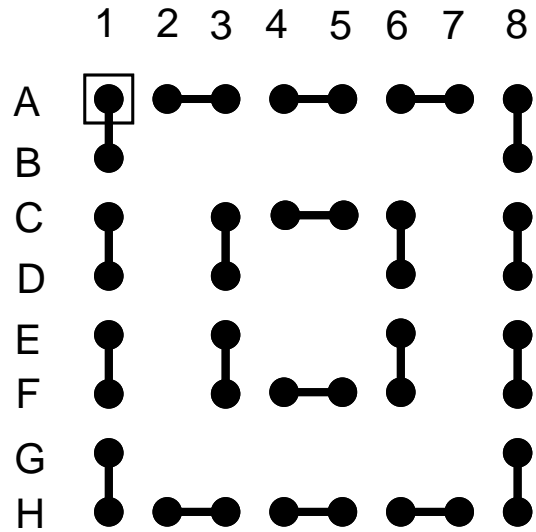


BALLS	PITCH	SIZE	MATRIX	ROWS	CENTER	MAT'L
40	0.5mm	5mm SQ	8 x 8	2	none	BT

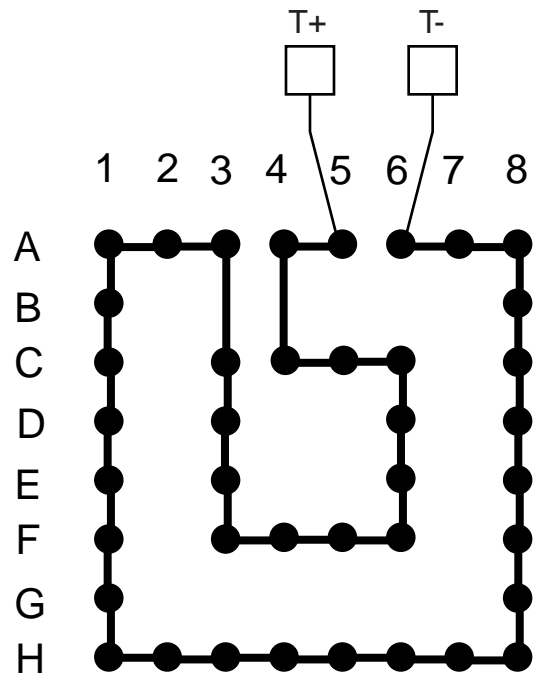
**BALL VIEW**



**BOTTOM SIDE (TOP X-RAY VIEW)**



**TEST VEHICLE BOARD**



**AFTER MOUNTING TO TEST BOARD**

# CSP40T.5-DC082

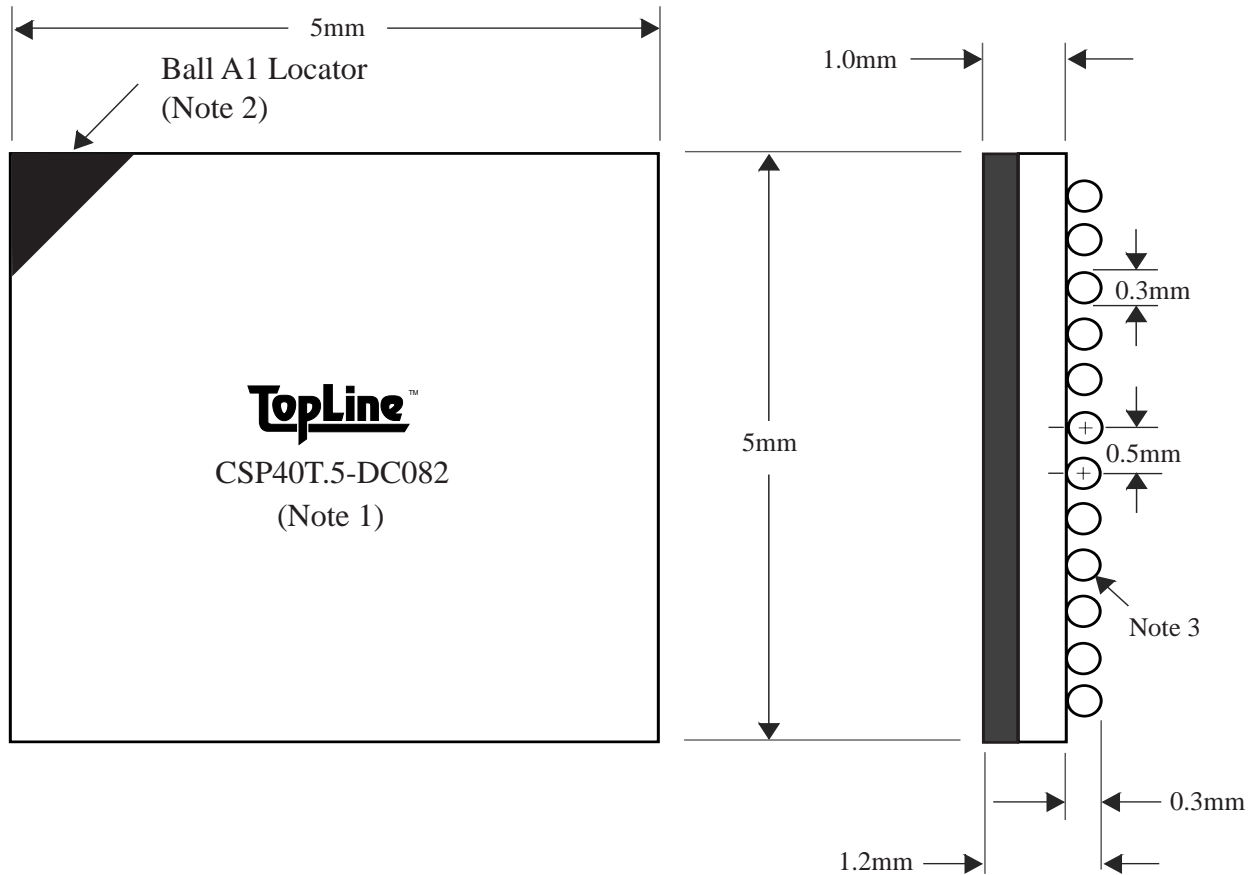


TEL 1-714-898-3830  
info@topline.tv

<u>BALLS</u>	<u>PITCH</u>	<u>SIZE</u>	<u>MATRIX</u>	<u>ROWS</u>	<u>CENTER</u>	<u>MAT'L</u>
40	0.5mm	5mm SQ	8 x 8	2	none	BT

**TOP VIEW**

**SIDE VIEW**



<b>NOTES</b>		<b>REVISIONS</b>	
Note 1	Logo and part number centered	<u>Rev</u>	<u>Date</u> <u>Changes</u>
Note 2	Ball A1 locator mark positioned in corner		
Note 3	Ball Material: 63/37 SnPb		
Note 4	Substrate Material: BT Laminate		
		<b>PACKAGING TRAYS</b>	
		Tray BGATRAY5mm-16x39 Tray Quantity 624	