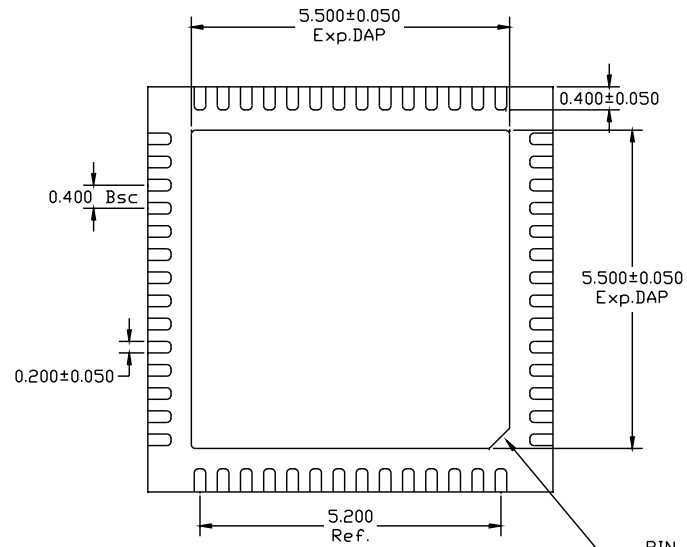


PIN 1 DOT BY MARKING

TOP VIEW

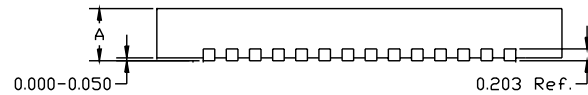


PIN #1 IDENTIFICATION CHAMFER 0.350 x 45°

BOTTOM VIEW

**NOTE:**  
1) TSLP AND SLP SHARE THE SAME EXPOSE OUTLINE BUT WITH DIFFERENT THICKNESS:

A		TSLP	SLP
	MAX.	0.800	0.900
NOM.	0.750	0.850	
MIN.	0.700	0.800	



SIDE VIEW

REV.	DESCRIPTION	DATE	BY	APPD	TOLERANCES	UNIT:	SCALE:	DESIGNED: STEVEN ONG	DATE:	56L (T/ ' 7X7 mm (PACKAGE OUTLINE)
					REFER TO SPECIFICATION ABOVE	MM	NTS	APPD: ANDREW TAN	DATE:	
						APPD: CW CHAI	DATE:			
						APPD: GC TAN	DATE:			
						APPD: YC CHOO	DATE:			
						DWG. NO: PO-56(T/SLP)7X7-5.50X5.50	REV.: 00			